



Setup Manual

DuraVision® FDX1502T

Touch Panel Color LCD Monitor

Important







Please read this "Setup Manual", and "User's Manual" (separate volume) carefully to familiarize yourself with safe and effective usage.

Please retain this manual for future reference.

-
- For monitor adjustment and settings, refer to the "User's Manual".
 - For the latest product information including the "Setup Manual", refer to our web site :
www.eizoglobal.com
-

SAFETY SYMBOLS

This manual and this product use the safety symbols below. They denote critical information. Please read them carefully.

 WARNING	Failure to abide by the information in a WARNING may result in serious injury and can be life threatening.
 CAUTION	Failure to abide by the information in a CAUTION may result in moderate injury and/or property or product damage.
	Indicates a warning or caution. For example,  indicates an “electrical shock” hazard.
	Indicates a prohibited action. For example,  means “Do not disassemble”.

This product has been adjusted specifically for use in the region to which it was originally shipped. If operated outside this region, the product may not perform as stated in the specifications.

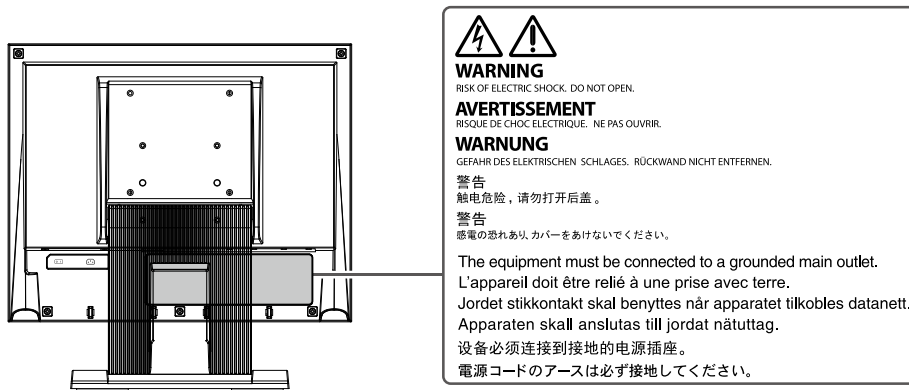
No part of this manual may be reproduced, stored in a retrieval system, or transmitted, in any form or by any means, electronic, mechanical, or otherwise, without the prior written permission of EIZO Corporation. EIZO Corporation is under no obligation to hold any submitted material or information confidential unless prior arrangements are made pursuant to EIZO Corporation’s receipt of said information. Although every effort has been made to ensure that this manual provides up-to-date information, please note that EIZO product specifications are subject to change without notice.

PRECAUTIONS

IMPORTANT

- This product has been adjusted specifically for use in the region to which it was originally shipped. If the product is used outside the region, it may not operate as specified in the specifications.
- To personal safety and proper maintenance, please read carefully this section and the caution statements on the monitor.

Location of the Caution Statements



Symbols on the unit

Symbol	This symbol indicates	
	Main Power Switch:	Press to turn the monitor's main power off.
	Main Power Switch:	Press to turn the monitor's main power on.
	Power button:	Press to turn the monitor's power on or off.
	Alternating current	
	Alerting electrical hazard	
	CAUTION:	Refer to "SAFETY SYMBOLS" (page 2).
	WEEE marking:	Product must be disposed of separately; materials may be recycled.
	CE marking:	EU conformity mark in accordance with the provisions of Council Directive and/or Regulation (EU).

WARNING

If the unit begins to emit smoke, smells like something is burning, or makes strange noises, disconnect all power connections immediately and contact your EIZO representative for advice. Attempting to use a malfunctioning unit may result in fire, electric shock, or equipment damage.

Do not disassemble or modify the unit.

Opening the cabinet or modifying the unit may result in fire, electric shock, or burn.



Refer all servicing to qualified service personnel.

Do not attempt to service this product yourself as opening or removing covers may result in fire, electric shock, or equipment damage.

Keep small objects or liquids away from the unit.

Small objects accidentally falling through the ventilation slots into the cabinet or spillage into the cabinet may result in fire, electric shock, or equipment damage. If an object or liquid falls/spills into the cabinet, unplug the unit immediately. Have the unit checked by a qualified service engineer before using it again.



Place the unit at a sturdy and stable place.

A unit placed on an inadequate surface may fall and result in injury or equipment damage. If the unit falls, disconnect the power immediately and ask your local EIZO representative for advice. Do not continue using a damaged unit. Using a damaged unit may result in fire or electric shock.

Use the unit in an appropriate location.

Otherwise, fire, electric shock, or equipment damage may result.

- Do not place outdoors.
- Do not place in any form of transportation (ships, aircraft, trains, automobiles, etc.).
- Do not place in dusty or humid environments.
- Do not place in locations where water may be splashed on the screen (bathrooms, kitchens, etc.)
- Do not place in locations where steam comes in direct contact with the screen.
- Do not place near heat generating devices or humidifiers.
- Do not place in locations where the product is subject to direct sunlight.
- Do not place in environments with inflammable gas.
- Do not place in environments with corrosive gases (such as sulfur dioxide, hydrogen sulfide, nitrogen dioxide, chlorine, ammonia, and ozone)
- Do not place in environments with dust, components that accelerate corrosion in the atmosphere (such as sodium chloride and sulfur), conductive metals, and so on



To avoid danger of suffocation, keep the plastic packing bags away from babies and children.

If using the AC power connector, make sure the power cord meets the following requirements.

This product does not include a power cord. Please prepare separately a power cord which meets the requirements.

* The power cord must be compliance with the mandatory standards of the country and region in which this product is to be used.

- For Europe: The power cord set has rated value of at least AC 250V~ 10A and has cord type H05VV-F, GTCE-3, 0.75mm².
 - For USA: The power cord set has rated value of at least AC 125V~ 10A and has cord type SVT, 3/18AWG (0.75mm²).
 - For China: The power cord set has rated value of at least AC 250V~ 10A and has cord type “ 配 60227 IEC53 3×1 平方毫米 ”
-

To disconnect the power cord, grasp the plug firmly and pull.

Tugging on the cord may damage and result in fire or electric shock.





WARNING

The equipment must be connected to a grounded main outlet.

Failure to do so may result in fire or electric shock.



Use the correct voltage.

- The unit is designed for use with a specific voltage only. Connection to another voltage than specified in this “Instructions for Use” may cause fire, electric shock, or equipment damage.
- Do not overload your power circuit, as this may result in fire or electric shock.

Handle the power cord with care.

- Do not place the cord underneath the unit or other heavy objects.
- Do not pull on or tie the cord.

If the power cord becomes damaged, stop using it. Using of a damaged cord may result in fire or electric shock.



Never touch the plug and power cord if it begins to thunder.

Touching them may result in electric shock.



When attaching an arm stand, please refer to the user’s manual of the arm stand and install the unit securely.

Otherwise, the unit may become detached, resulting in injury and/or equipment damage. Before installation, make sure that desks, walls, or any other installation surface has adequate mechanical strength. If the unit falls, please ask your local EIZO representative for advice. Do not continue using a damaged unit. Using a damaged unit may result in fire or electric shock. When reattaching the tilt stand, please use the same screws and tighten them securely.

Do not touch a damaged LCD panel directly with bare hands.

Liquid crystal is poisonous. If any part of your skin comes in direct contact with the panel, wash thoroughly. If liquid crystal enters your eyes or mouth, immediately flush with large amounts of water and seek medical attention.



For installment in high locations, ask for the help of a professional.

When installing the monitor in a high location, there is a risk of the product or its parts falling and causing injury. Ask for help from us or from a professional who specializes in construction work when installing the monitor, including an inspection of the product for any damage or deformities both before and after installing the monitor.

CAUTION

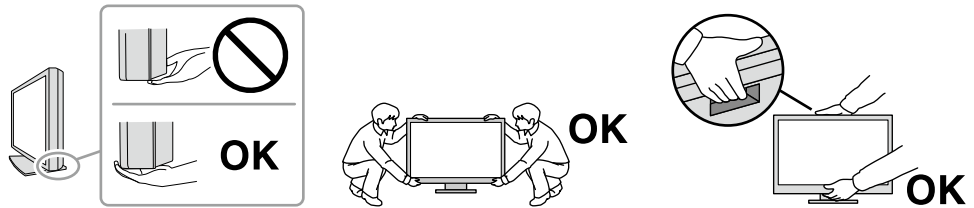
Handle with care when carrying the unit.

Disconnect the power cord and cables when moving the unit. Moving the unit with the power cord or cables attached is dangerous and may result in injury.

Carry or place the unit according to the correct specified methods.

- When moving the product, hold the bottom of the monitor firmly.
- Monitors of size 30 inches and above are heavy. When unpacking and/or carrying the monitor, ensure at least two people are utilized.
- If your device model has a handle on the back of the monitor, grasp and firmly hold the bottom and handle of the monitor.

Dropping the unit may result in injury or equipment damage.



Do not block the ventilation slots on the cabinet.

- Do not place any objects on the ventilation slots.
- Do not install the unit in a place with poor ventilation or inadequate space.
- Do not use the unit laid down or upside down.

Blocking the ventilation slots prevents proper airflow and may result in fire, electric shock, or equipment damage.



Do not touch the plug with wet hands.

Doing so may result in electrical shock.



Use an easily accessible power outlet.

This is to facilitate disconnecting the power in case of a problem.

Periodically clean the area around the power plug and the ventilation slot of the monitor.

Dust, water, or oil on the plug may result in fire.

Unplug the unit before cleaning it.

Cleaning the unit while it is plugged into a power outlet may result in electric shock.

If you plan to leave the unit unused for an extended period of time, disconnect the power cord from the wall socket after turning off the power switch for the safety and the power conservation.

Notice for this product

About the Usage of This Product

Aside from creating documents, viewing multimedia content, and other general purposes, this product is also suited to the dedicated usages such as operation of terminal equipment.

This product has been adjusted specifically for use in the region to which it was originally shipped. If the product is used outside the region, it may not operate as specified in the specifications.

This product may not be covered by warranty for uses other than those described in this manual.

The specifications noted in this manual are only applicable when the following are used:

- Signal cables specified by us
-

Only use optional products manufactured or specified by us with this product.

About the LCD Panel

It takes about 30 minutes (under our measurement conditions) for the monitor display to stabilize. Please wait 30 minutes or more after the monitor power has been turned on, and then adjust the monitor.

Monitors should be set to a lower brightness to prevent a loss in the screen quality caused by long-term use and to maintain stable use.

When the screen image is changed after displaying the same image for extended periods of time, an afterimage may appear. Use the screen saver or power save function to avoid displaying the same image for extended periods of time. Depending on the image, an afterimage may appear even if it was displayed for a short period of time. To remove such a phenomenon, change the image or keep the power turned off for several hours.

If the monitor displays continuously over a long period of time, smudges or burn-in may appear. To maximize the life of the monitor, we recommend the monitor be turned off periodically.

The LCD panel is manufactured using high-precision technology. Although, missing pixels or lit pixels may appear on the LCD panel, this is not a malfunction. Percentage of effective dots: 99.9994 % or higher.

The backlight of the LCD panel has a fixed lifetime. Depending on the usage pattern, such as usage for long continuous periods, the lifespan of the backlight may run out sooner, requiring replacement. When the screen becomes dark or begins to flicker, please contact your local EIZO representative.

Do not scratch or press on the LCD panel with any sharp objects, at this may result in damage to the LCD panel. Do not attempt to brush with tissues as this may scratch the panel.

(Cautions for the Use of the Touch Panel)

During touch operation

Be careful of the following points. Otherwise, damage may occur to the monitor.

- Do not strongly press, scratch, or poke the panel.
 - Do not touch the panel with hard objects such as ballpoint pens or metals.
-

About the Installation

If you place this product on a lacquer-coated desk, the color may adhere to the bottom of the stand due to the composition of the rubber. Check the desk surface before use.

When the product is cold and brought into a room or the room temperature goes up quickly, dew condensation may occur on the interior and exterior surfaces of the product. In that case, do not turn the product on. Instead wait until the dew condensation disappears, otherwise it may cause some damage to the product.

About the Maintenance

Periodic cleaning is recommended to keep the product looking new and to prolong its operation lifetime (refer to “Cleaning” (page 8)).

Cleaning

The stains on the cabinet and LCD panel surface can be removed by moistening part of a soft cloth with water or by using ScreenCleaner (available as an option).

Attention

- Do not allow liquid to enter the clearance between the panel and the panel frame.
 - Chemicals such as alcohol and antiseptic solution may cause gloss variation, tarnishing, and fading of the cabinet or LCD panel, and also quality deterioration of the image.
 - Never use thinner, benzine, wax, or abrasive cleaner as they may damage the cabinet or LCD panel surface.
-

To use the monitor comfortably

- An excessively dark or bright screen may affect your eyes. Adjust the brightness of the monitor according to the environmental conditions.
- Staring at the monitor for a long time tires your eyes. Take a 10-minute rest every hour.

CONTENTS

PRECAUTIONS	3
IMPORTANT	3
Notice for this product	7
Cleaning	8
To use the monitor comfortably	8
CONTENTS	9
Chapter 1 Introduction	10
1-1. Package Contents	10
1-2. Controls and Functions	11
Chapter 2 Installation / Connection	12
2-1. Connecting Cables	12
2-2. Turning On the Power	13
2-3. Adjusting the Screen Angle	14
2-4. Installing the Touch Panel Driver	14
2-5. Calibrating the Touch Panel	14
Chapter 3 Reference	15
3-1. Specifications	15
3-2. Attaching the Optional Arm	16
Appendix	18
Information for Radio Interference	18

Chapter 1 Introduction

Thank you very much for choosing an EIZO color LCD monitor.

1-1. Package Contents

Check that all of the following items are contained in the package. If any of these are missing or damaged, contact your dealer or local EIZO representative listed on the attached sheet.

Note

- The User's Manual is not packaged with the product. Download it from our web site according to the following procedure.
 1. Access www.eizoglobal.com.
 2. From the menu, select "Support" > "Manuals".
 3. In the "Enter model name" text box, enter "FDX1502T", and then press the "Search" button.
 4. Click the PDF icon for the User's Manual.
- It is recommended that the box and packing materials be stored so that they can be used to move or transport this product.

- Monitor
- Analog signal cable
(D-Sub - D-Sub)
MD-C87



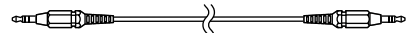
- Digital signal cable
(HDMI - HDMI)
HH200HS



- USB cable
(USB-A - USB-B)
MD-C93

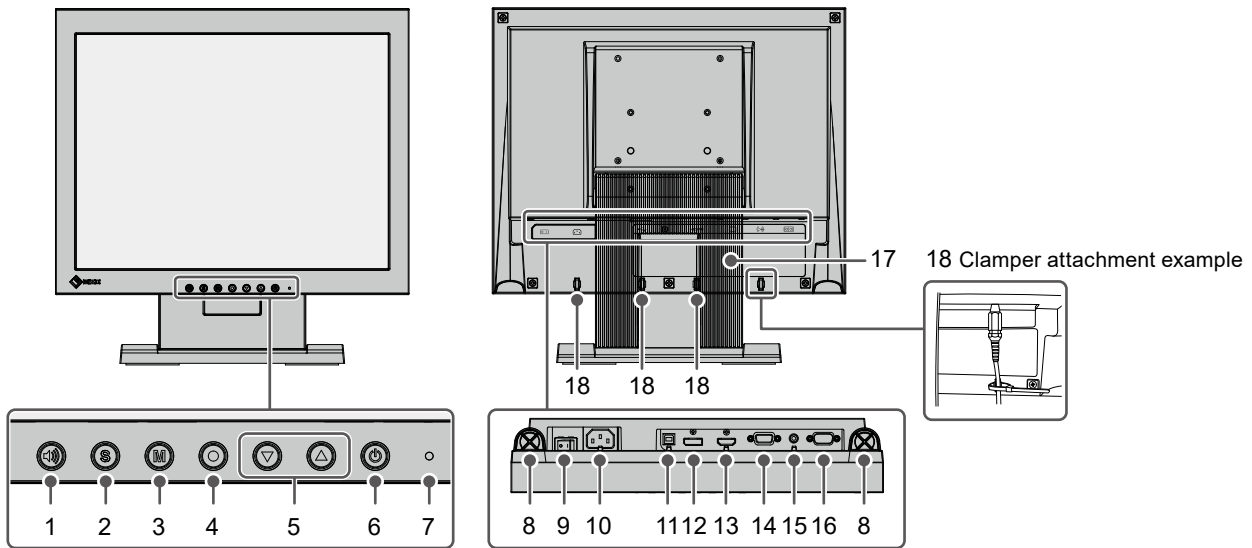


- Stereo mini jack cable



- Setup Manual (this document)
- Customer Service Representative Information
- VESA mounting screws M4x12 x 4 (free mount only)
- Clamper x 4

1-2. Controls and Functions



1. button	Displays the adjustment screen for the volume. (Press the buttons to make adjustments.)
2. button	Switches the displayed input signal.
3. button	Switches color modes.
4. button	Displays the Setting menu, and lets you make adjustments on each menu and save the adjustments when you are finished.
5. button	Selects items or adjusts/sets functions while displaying the Setting menu, and displays the adjustment screen for the brightness.
6. button	Turns the power on or off.
7. Power indicator	Indicates the monitor's operation status. Blue: Normal operation mode Orange: Power saving mode Off: Main power turned off / power turned off
8. Speakers	Outputs audio source.
9. Main power switch	Turns the main power on or off. : On, ○ : Off
10. Power connector	Connects the power cord.
11. USB-B connector (upstream) *1	Connect a USB cable to the monitor when you use it as a touch panel monitor.
12. DisplayPort connector	Connects a PC with DisplayPort output.
13. HDMI connector	Connects a PC with HDMI output.
14. D-Sub mini 15-pin connector	Connects a PC with D-Sub output.
15. Stereo mini jack	Outputs external audio from the monitor when the stereo mini jack cable is used to connect an external device.
16. RS-232C port *1	Connect a RS-232C cable to the monitor when you use it as a touch panel monitor.
17. Stand	Adjusts the angle of the monitor.
18. Clammer holder (x 4)	Attach the clammers to prevent the cable from falling off. Put the cable into the clammers to secure it (see figure above).

*1 These cannot be used simultaneously.

Chapter 2 Installation / Connection

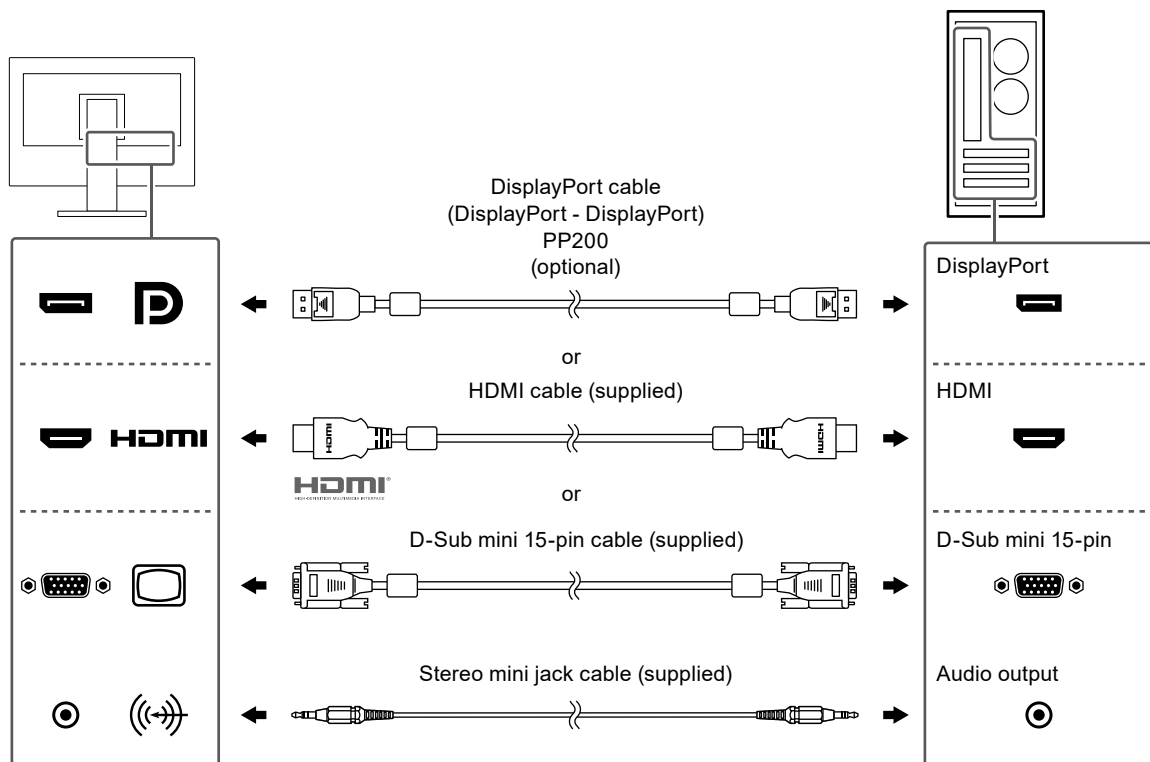
2-1. Connecting Cables

Attention

- Check that the monitor, PC, and peripherals are powered off.
- When replacing the current monitor with this monitor, refer to "6-2. Compatible Resolutions" in the User's Manual to change the PC settings for resolution and vertical scan frequency to those that are available for this monitor, before connecting the PC.

1. Connect signal cables.

Check the shapes of the connectors, and connect the cables. After connecting the D-Sub mini 15-pin cable, tighten the fasteners to secure the connector.



Attention

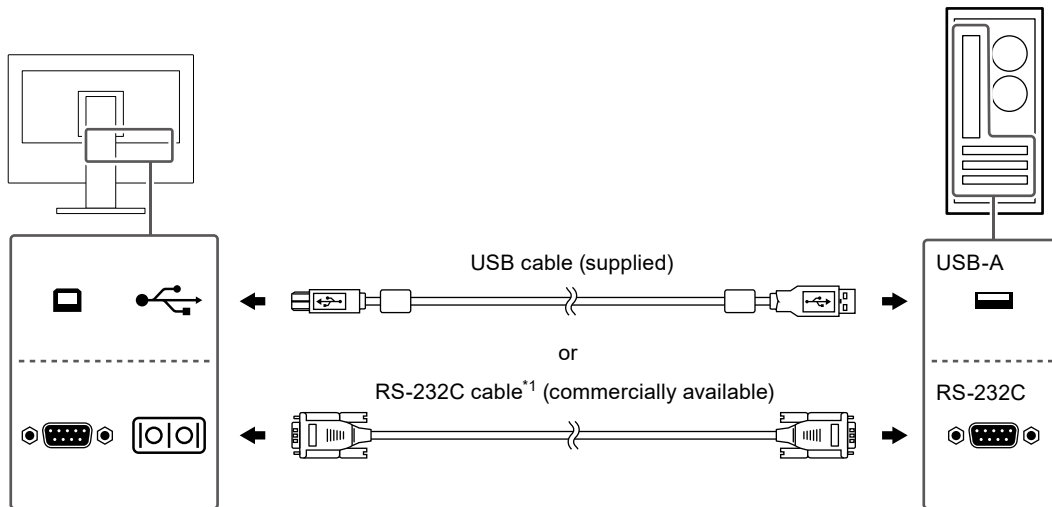
- When connecting to multiple PCs, switch the input signal. Refer to the User's Manual for details.

Note

- If the cables are difficult to insert, adjust the angle of the screen.

2. Connect the touch panel cable.

Use either the USB cable or the RS-232C cable to connect the PC to the monitor.



*1 Cross type. The connector type on the monitor is D-Sub 9-pin.

By default, RS-232C serial transfer is disabled. For details on how to change the settings, see “4-2. Functions of the “Administrator Settings” Menu” in the User’s Manual.

3. Plug the power cord into a power outlet and the power connector on the monitor.

Insert the power cord fully into the monitor.

2-2. Turning On the Power

1. Press to turn on the power to the monitor.

The monitor’s power indicator lights up blue.

If the power indicator does not light up, refer to "5-1. No Picture" in the User's Manual.

2. Turn on the PC.

The screen image appears.

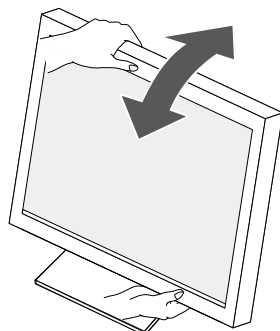
If the screen image does not appear after turning on the PC, refer to "5-1. No Picture" in the User's Manual.

Attention

- For maximum power saving, it is recommended that the Power button be turned off. When not using the monitor, you can turn off the main power supply or disconnect the power plug so that the power is cut completely.
-

2-3. Adjusting the Screen Angle

Hold the top and bottom edges of the monitor with both hands, and adjust the tilt of the screen to the optimum position for performing tasks.



Attention

- After the adjustment is finished, make sure that the cables are correctly connected.
-

2-4. Installing the Touch Panel Driver

Attention

- To install the touch panel driver, the user account needs "Administrator" privileges.
 - To reinstall the touch panel driver in order to update the driver, uninstall the driver, and then restart the PC before installation.
-

1. Download the touch panel driver from our web site.

Note

- Use the following procedure to download the touch panel driver from our web site.
 1. Access www.eizoglobal.com.
 2. From the menu, select "Support" > "Software and Drivers".
 3. In the "Enter name of model or software" text box, enter "FDX1502T", and then press the "Search" button.
 4. Click the ZIP icon for the touch panel driver.
-

2. If another touch panel driver is installed, uninstall it.

3. Install the downloaded touch panel driver.

For information on how to install the touch panel driver, refer to the User's Manual for the touch panel driver.

4. Reboot the PC.

2-5. Calibrating the Touch Panel

Calibrate the touch panel in accordance with the User's Manual for the touch panel driver.

Note

- Recalibrate if you change the installation location.
-

Chapter 3 Reference

3-1. Specifications

LCD Panel	Type	TN (anti-glare)
	Backlight	LED
	Size	15.0" (38.0 cm)
	Resolution (H x V)	1024 dots x 768 lines
	Display Size (H x V)	304.1 mm x 228.1 mm
	Pixel Pitch	0.297 mm x 0.297 mm
	Display Colors	8-bit color: Approx. 16.77 million colors
	Viewing Angles (H / V, typical)	160° / 160°
	Response Time (typical)	8 ms (black -> white -> black)
Touch Panel	Surface Finishing	Anti-glare
	Surface Hardness	2H
	Communication Method	USB transfer or RS-232C serial transfer (*These cannot be used simultaneously.)
	Detection Method	Analog-resistive film type
	Supported OS ¹	Microsoft Windows 11 (64-bit version) Microsoft Windows 10 (32-bit version / 64-bit version) Microsoft Windows 8.1 (32-bit version / 64-bit version)
Video Signals	Input Terminals	DisplayPort (HDCP 1.3-compatible) x 1, HDMI (HDCP 1.4-compatible) ² x 1, D-Sub mini 15-pin x 1
	Digital Scanning Frequency (H / V)	DisplayPort: 31 kHz - 49 kHz / 59 Hz - 61 Hz (720 x 400 : 69 Hz - 71 Hz)
		HDMI: 31 kHz - 49 kHz / 59 Hz - 61 Hz (720 x 400 : 69 Hz - 71 Hz)
	Analog Scanning Frequency (H / V)	D-Sub: 31 kHz - 61 kHz / 55 Hz - 76 Hz
	Max. Dot Clock	Digital: 65 MHz Analog: 80 MHz
	Synchronization Signal	H / V separate, positive / negative
Communication	USB	Port: USB-B connector (upstream) x 1 Standard: USB Specification Revision 2.0
	RS-232C	Port: D-Sub 9-pin (male) x 1
Audio	Audio Input Format	DisplayPort: 2 ch linear PCM (32 kHz / 44.1 kHz / 48 kHz / 88.2 kHz / 96 kHz / 176.4 kHz / 192 kHz)
		HDMI: 2 ch linear PCM (32 kHz / 44.1 kHz / 48 kHz / 88.2 kHz / 96 kHz / 176.4 kHz / 192 kHz)
	Speakers	1 W + 1 W or more
	Input Terminals	Stereo mini jack x 1 DisplayPort x 1, HDMI x 1 (both shared with video signal)
Power	Input	100 - 240 VAC ±10 %, 50 / 60 Hz 0.35 A - 0.20 A
	Maximum Power Consumption	19 W or less
	Power Save Mode	0.4 W or less (when the USB upstream port is not connected, when no external load is connected, product default setting)
	Standby Mode	0.4 W or less (when the USB upstream port is not connected, when no external load is connected, product default setting)

Physical Specifications	Dimensions (W x H x D)	346.0 mm × 349.0 mm × 157.0 mm (Tilt: 0°) 346.0 mm × 373.0 mm × 197.0 mm (Tilt: 30°)
	Dimensions (W x H x D) (Without Stand)	346.0 mm × 280.0 mm × 69.0 mm
	Net Weight	Approx. 5.7 kg
	Net Weight (Without Stand)	Approx. 3.4 kg
	Tilt	0° - Up 30.0°
Operating Environmental Requirements	Temperature	0 °C - 50 °C (32 °F - 122 °F)
	Humidity	20 % - 90 % R.H. (no condensation)
	Air Pressure	540 hPa - 1060 hPa
Transportation / Storage Environmental Requirements	Temperature	-20 °C - 60 °C (-4 °F - 140 °F)
	Humidity	10 % - 90 % R.H. (no condensation)
	Air Pressure	200 hPa - 1060 hPa

*1 EIZO support will end when OS vendor support ends.

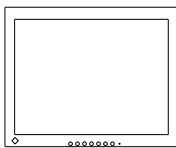
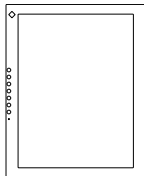
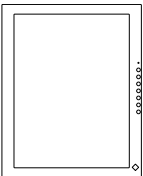
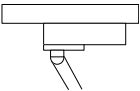
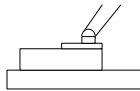
*2 HDMI CEC (mutual control) is not supported.

3-2. Attaching the Optional Arm

An optional arm (or an optional stand) can be attached by removing the stand section. Please refer to our web site for the supported optional arm (or optional stand) (www.eizoglobal.com).

Attention

- When attaching an arm or stand, follow the instructions of the respective User's Manual.
- When using another manufacturer's arm or stand, confirm the following in advance and select one conforming to the VESA standard.
 - Clearance between screw holes: 75 mm × 75 mm or 100 mm × 100 mm
 - Plate thickness: 2.6 mm
 - Strong enough to support weight of the monitor unit (excluding the stand) and attachments such as cables.
- When using another manufacturer's arm or stand, use the following screws to secure it.
 - Screws fixing the stand to the monitor
- When attaching an arm or stand, the installable orientations and movement range (tilt angle) are as follows:

Orientation			
Movement range (tilt angle)	 Up: 90°		 Down: 90°

- Connect the cables after attaching an arm or stand.
- The monitor, arm, and stand are heavy. If you drop them, it may result in injury or equipment damage.
- Periodically check the tightness of the screws. If not sufficiently tight, the monitor may detach from the arm, which may result in injury or equipment damage.

1. Lay the LCD monitor on a soft cloth spread over a stable surface with the panel surface facing down.

2. Remove the stand.

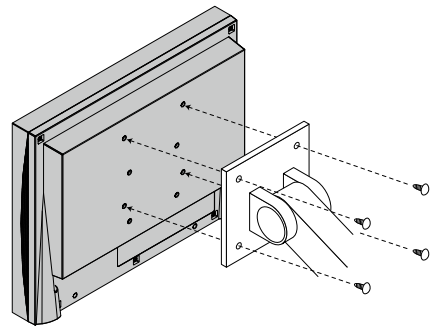
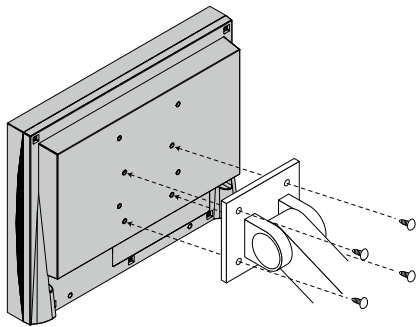
Using a screwdriver, remove the screws securing the unit and the stand.

3. Attach the arm or stand to the monitor.

Secure the monitor to the arm or stand using the screws specified in the User's Manual of the arm or stand.

- Clearance between screw holes on arm or stand:
75 mm × 75 mm

- Clearance between screw holes on arm or stand:
100 mm × 100 mm



Appendix

Information for Radio Interference

For U.S.A., Canada Only

FCC Supplier's Declaration of Conformity

We, the Responsible Party

EIZO Inc.

5710 Warland Drive, Cypress, CA 90630

Phone: (562) 431-5011

declare that the product

Trade name: EIZO

Model: DuraVision FDX1502T

is in conformity with Part 15 of the FCC Rules. Operation of this product is subject to the following two conditions: (1) this device may not cause harmful interference, and (2) this device must accept any interference received, including interference that may cause undesired operation.

This equipment has been tested and found to comply with the limits for a Class B digital device, pursuant to Part 15 of the FCC Rules. These limits are designed to provide reasonable protection against harmful interference in a residential installation. This equipment generates, uses, and can radiate radio frequency energy and, if not installed and used in accordance with the instructions, may cause harmful interference to radio communications. However, there is no guarantee that interference will not occur in a particular installation. If this equipment does cause harmful interference to radio or television reception, which can be determined by turning the equipment off and on, the user is encouraged to try to correct the interference by one or more of the following measures.

- * Reorient or relocate the receiving antenna.
- * Increase the separation between the equipment and receiver.
- * Connect the equipment into an outlet on a circuit different from that to which the receiver is connected.
- * Consult the dealer or an experienced radio/TV technician for help.

Changes or modifications not expressly approved by the party responsible for compliance could void the user's authority to operate the equipment.

Note

Use the attached specified cable below or EIZO signal cable with this monitor so as to keep interference within the limits of a Class B digital device.

- AC Cord
- Shielded Signal Cable (enclosed)

Canadian Notice

This Class B information technology equipment complies with Canadian ICES-003.
Cet équipement informatique de classe B est conforme à la norme NMB-003 du Canada.



EIZO Corporation

153 Shimokashiwano, Hakusan, Ishikawa 924-8566 Japan

EIZO Europe GmbH

Belgrader Straße 2, 41069 Mönchengladbach, Germany

艺卓显像技术(苏州)有限公司

中国苏州市苏州工业园区展业路 8 号中新科技工业坊 5B

www.eizoglobal.com

Copyright © 2022 EIZO Corporation. All rights reserved.

00N0N288B1
SUM-FDX1502T-1

2nd Edition - July, 2022 Printed in Japan.