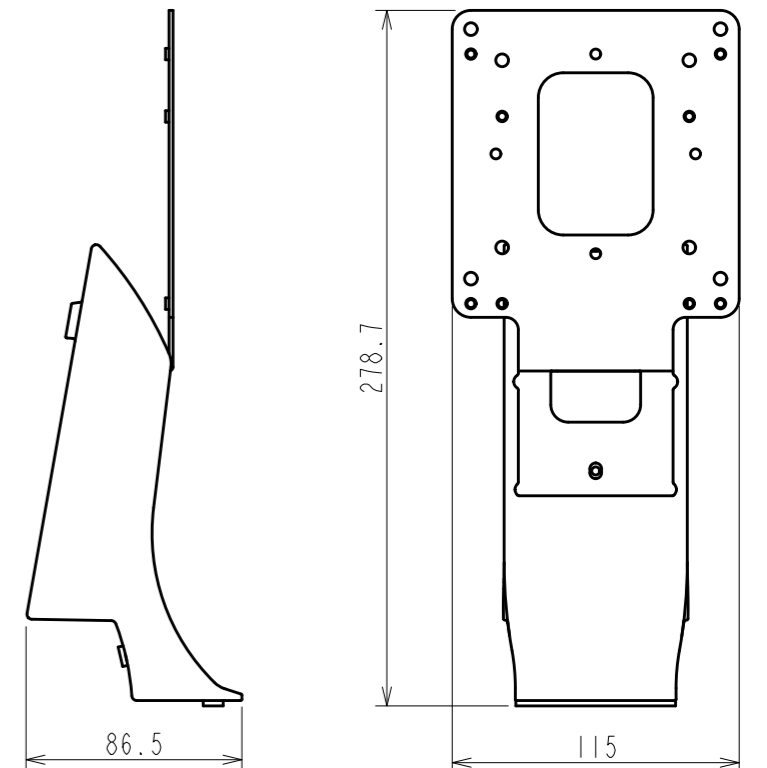
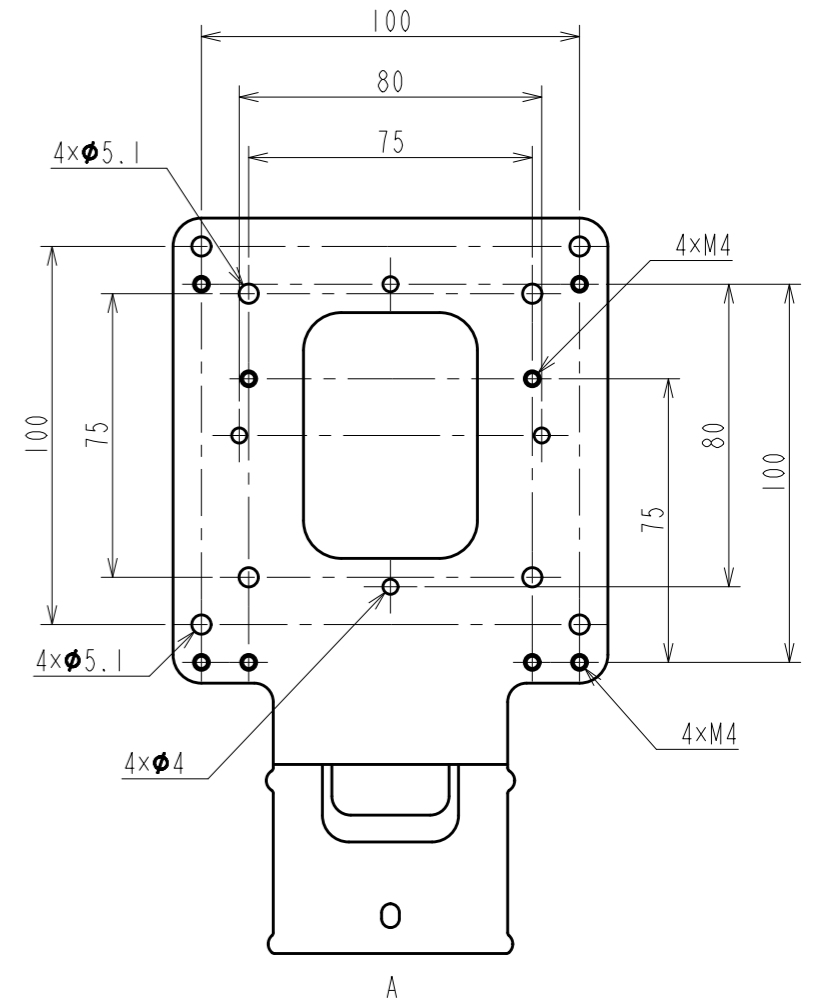
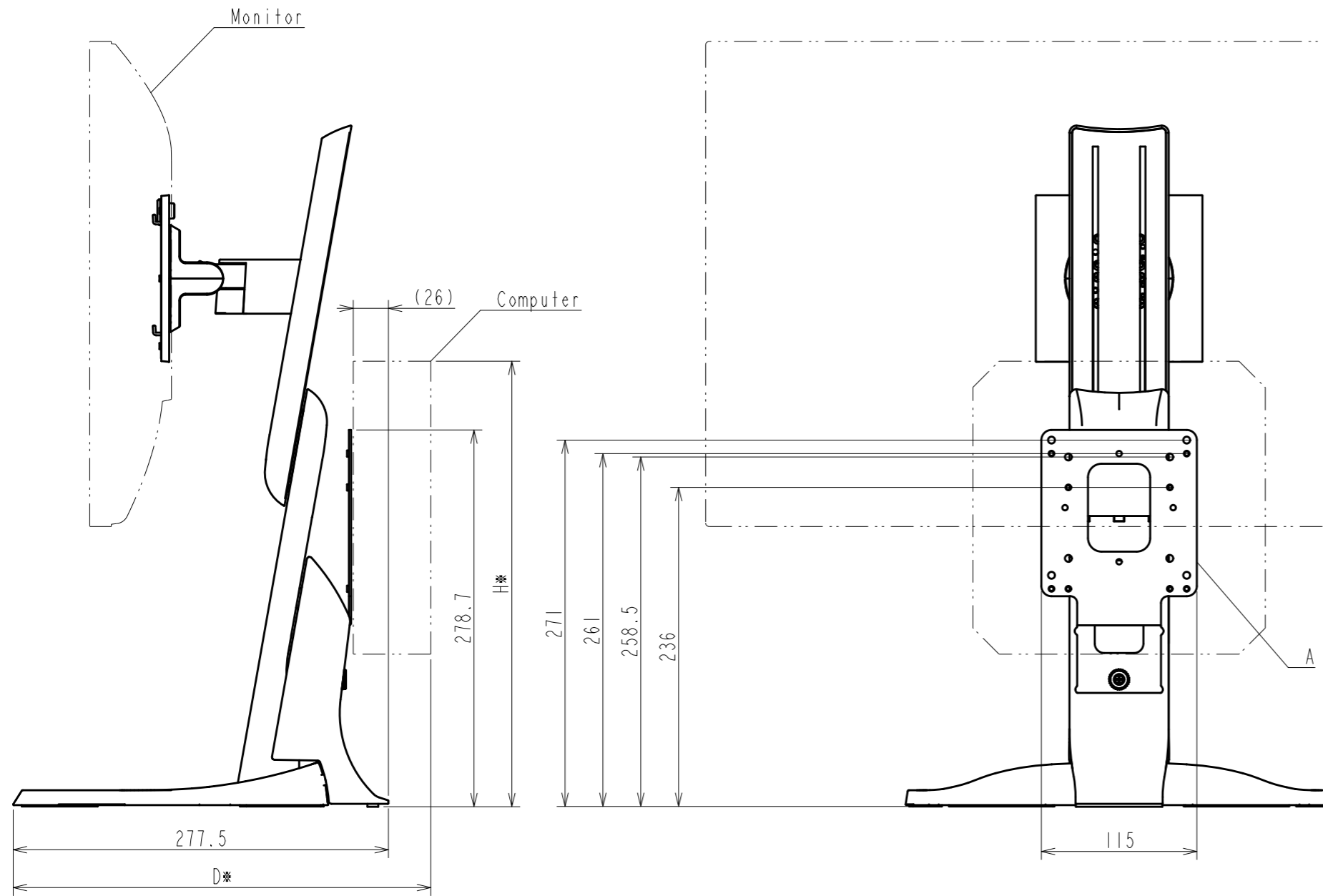


OUTLINE DIMENSIONS

MODEL PCSK-04

UNIT mm

EIZO Corporation



*Follow to the User's Manual of PCSK-04 and specifications of the computer for dimension D and H.