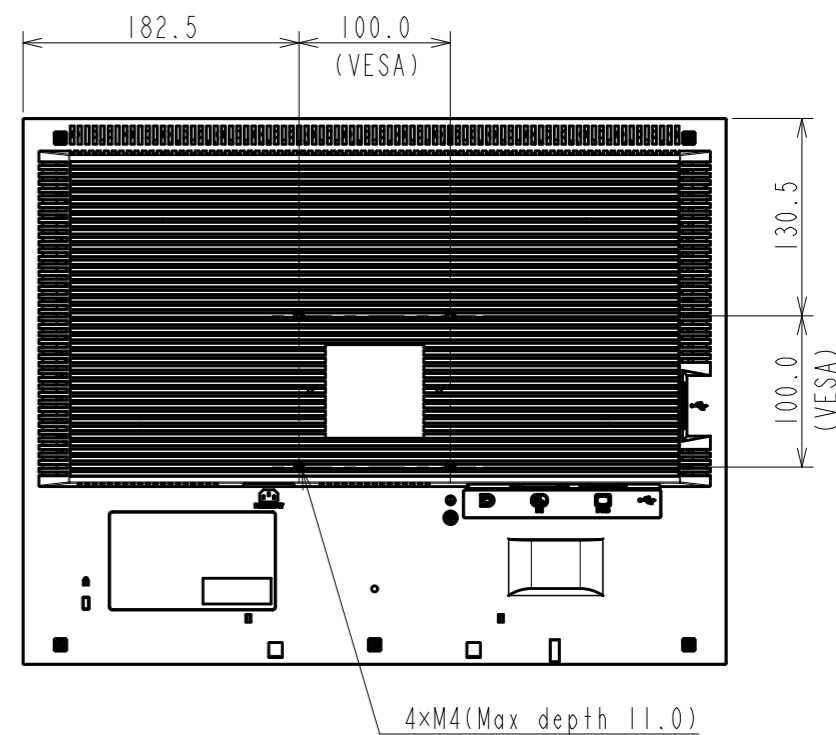
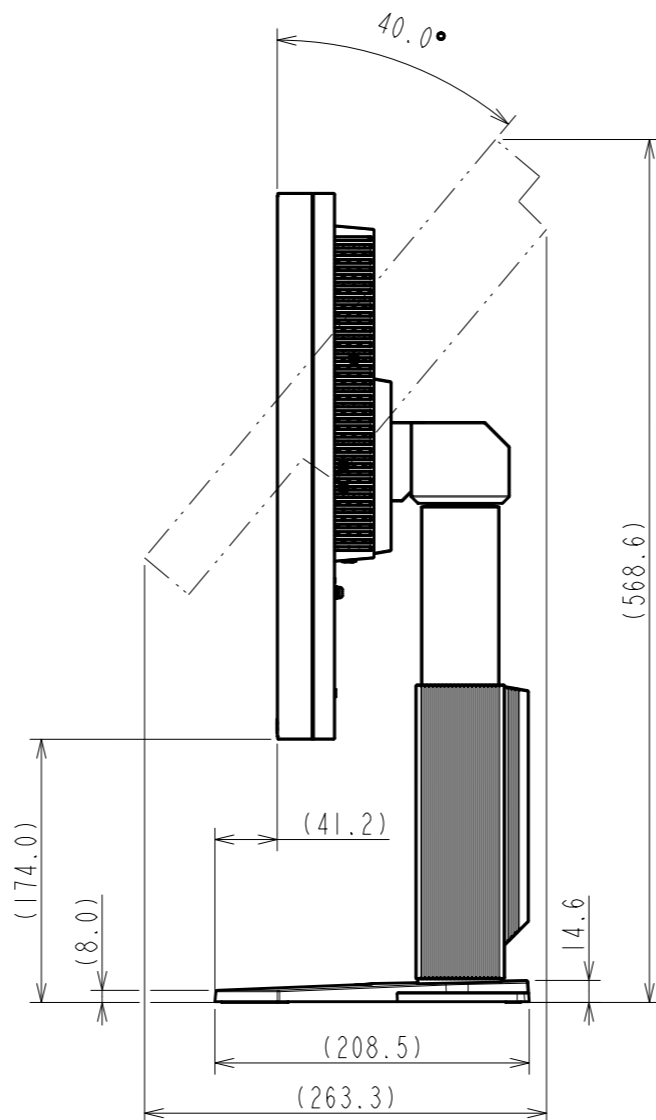
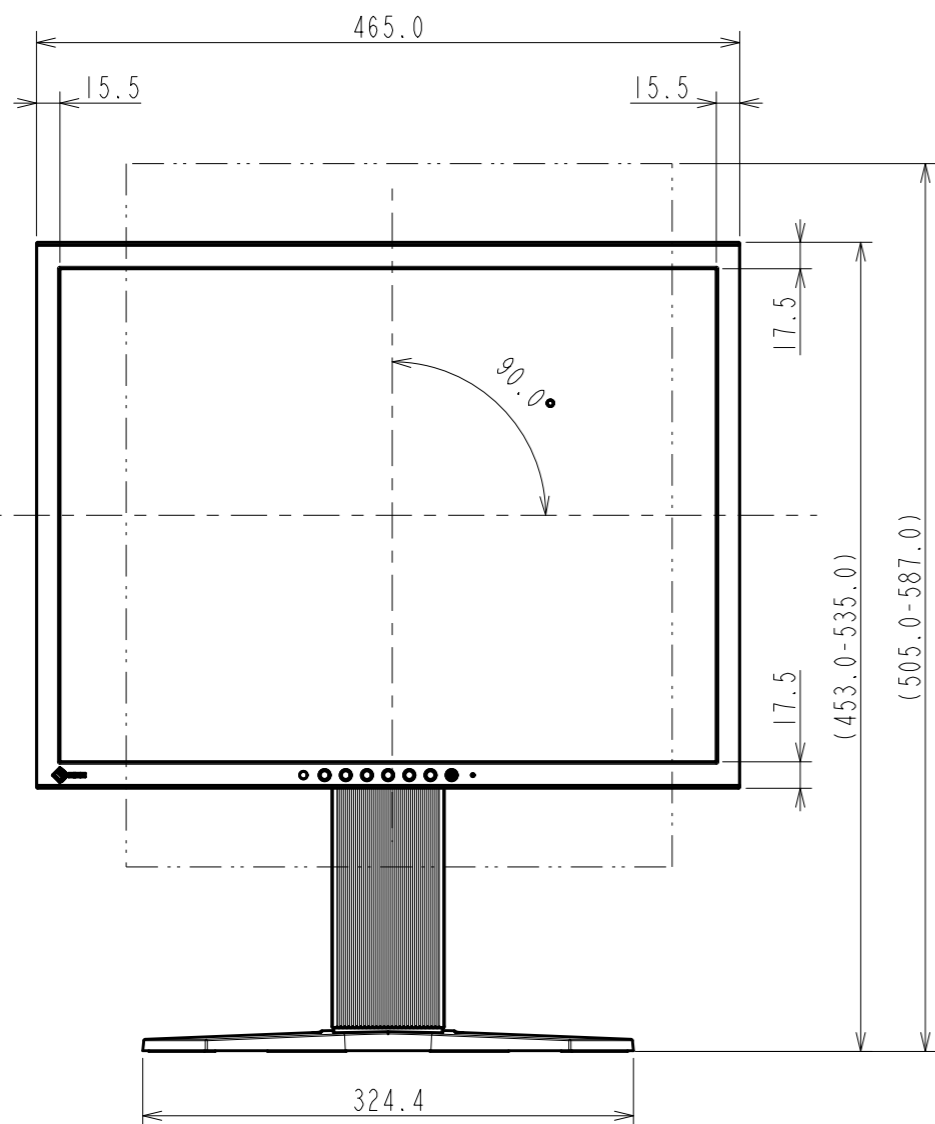
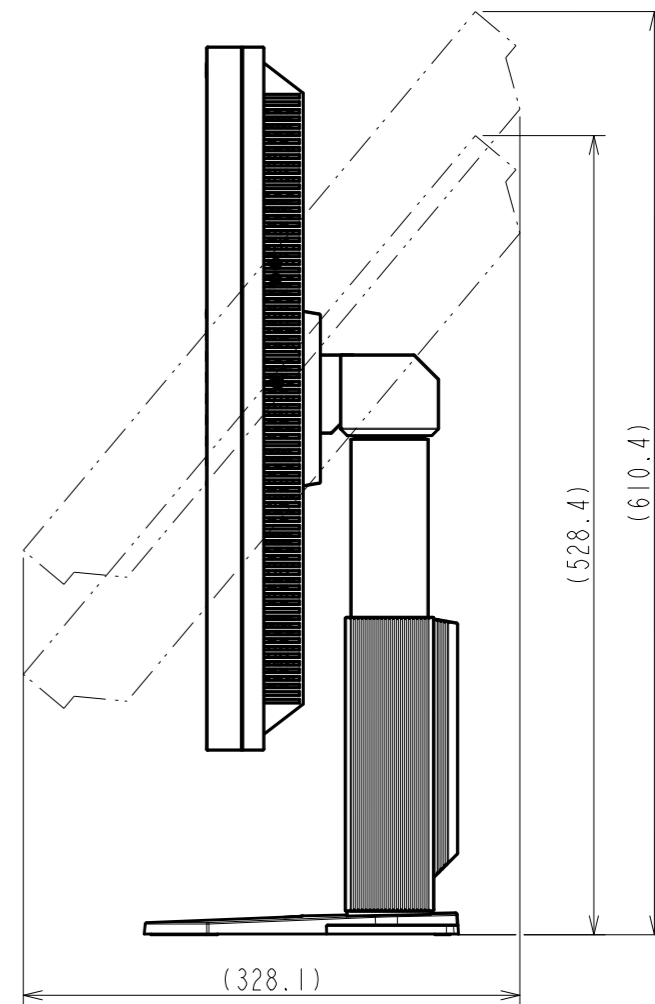
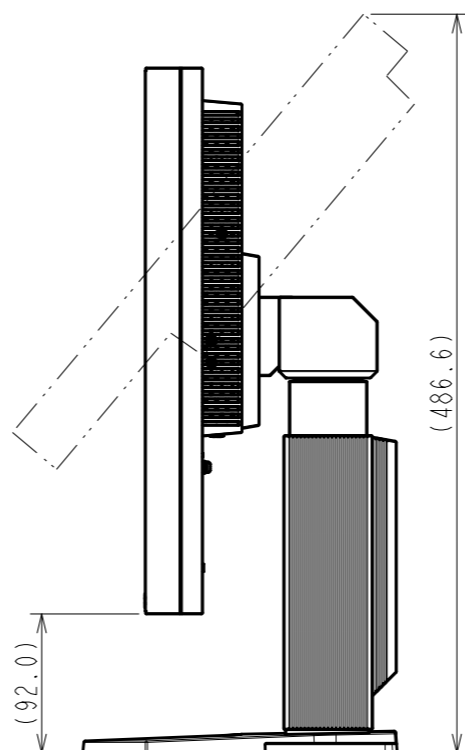
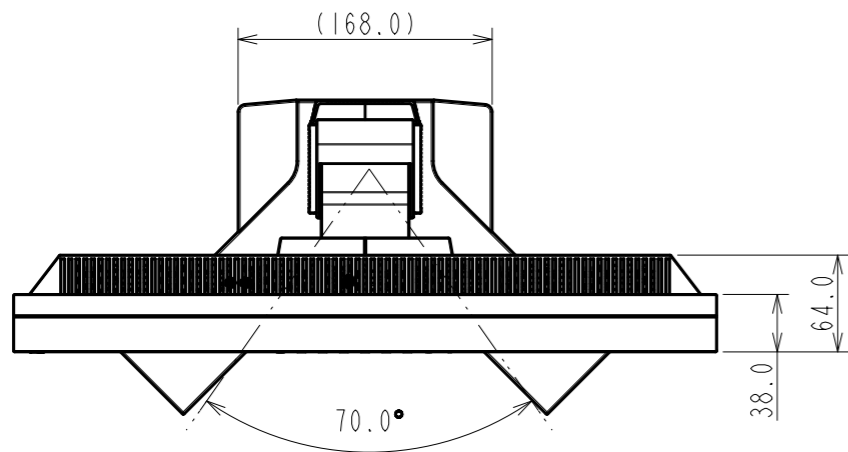


# OUTLINE DIMENSIONS

MODEL S2134

UNIT mm

**EIZO Corporation**

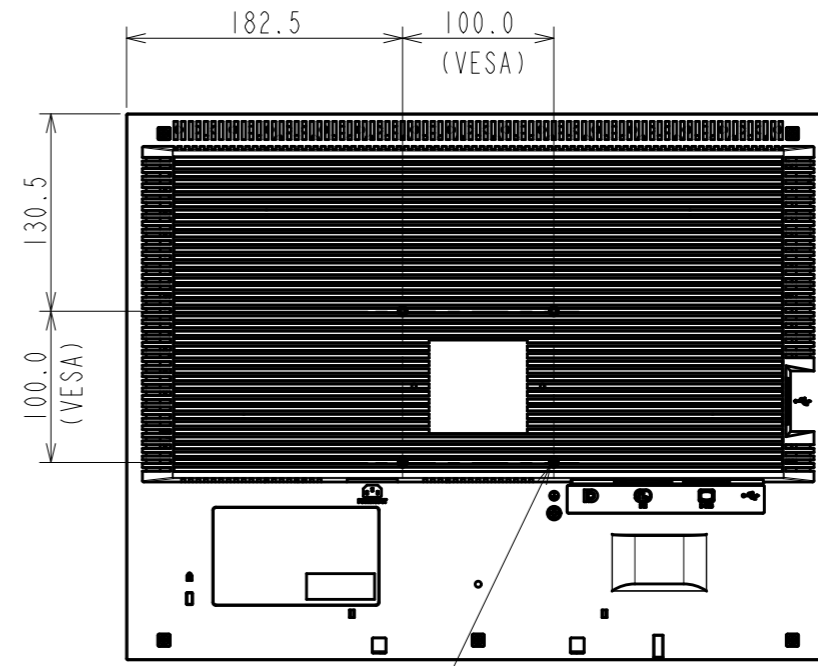
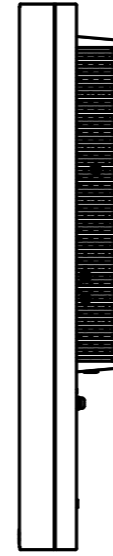
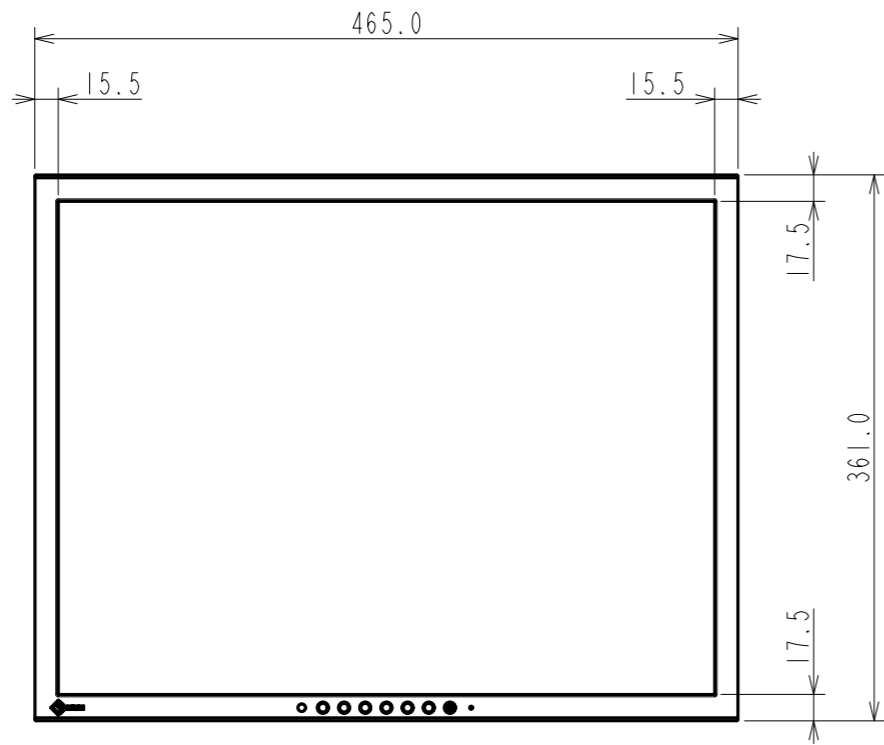


# OUTLINE DIMENSIONS

MODEL S2134

UNIT mm

**EIZO Corporation**



4xM4(Max depth 11.0)

