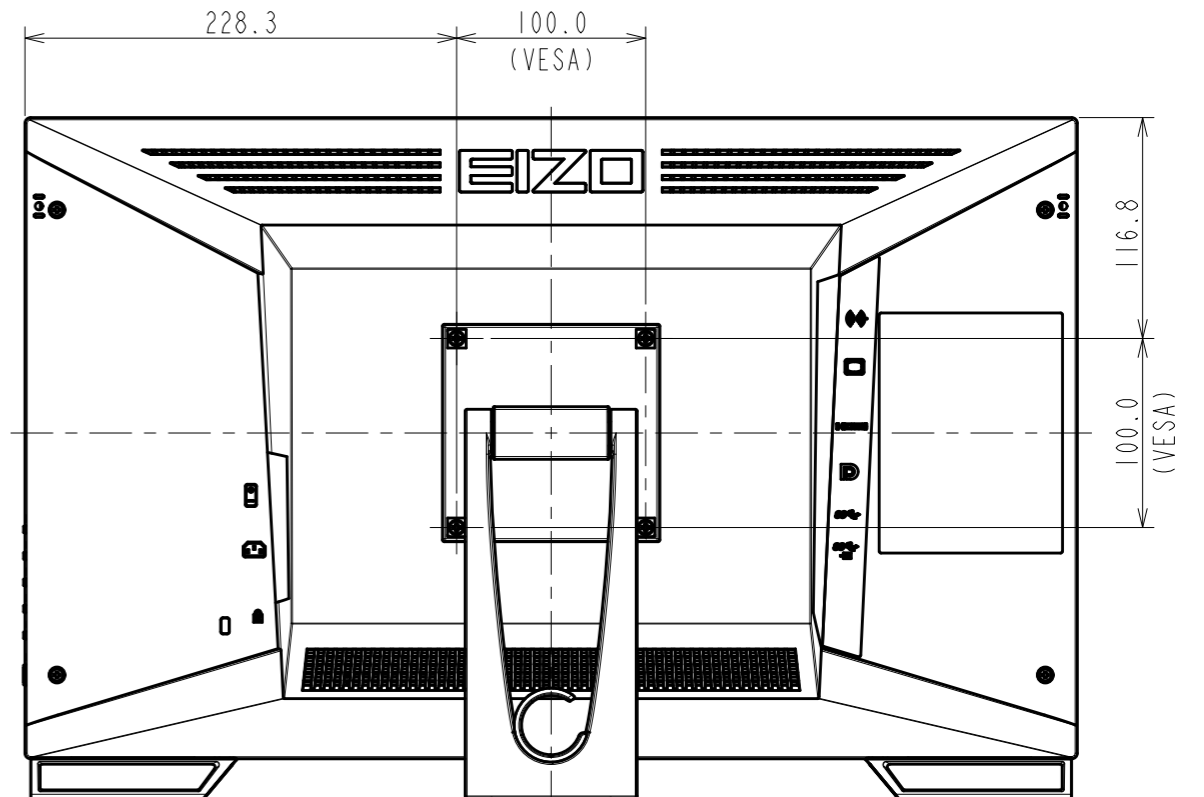
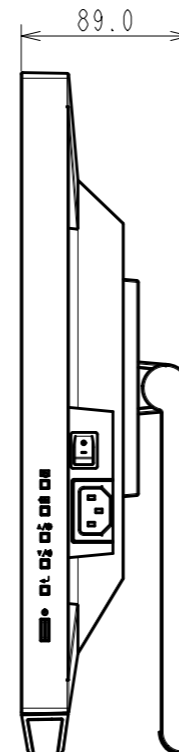
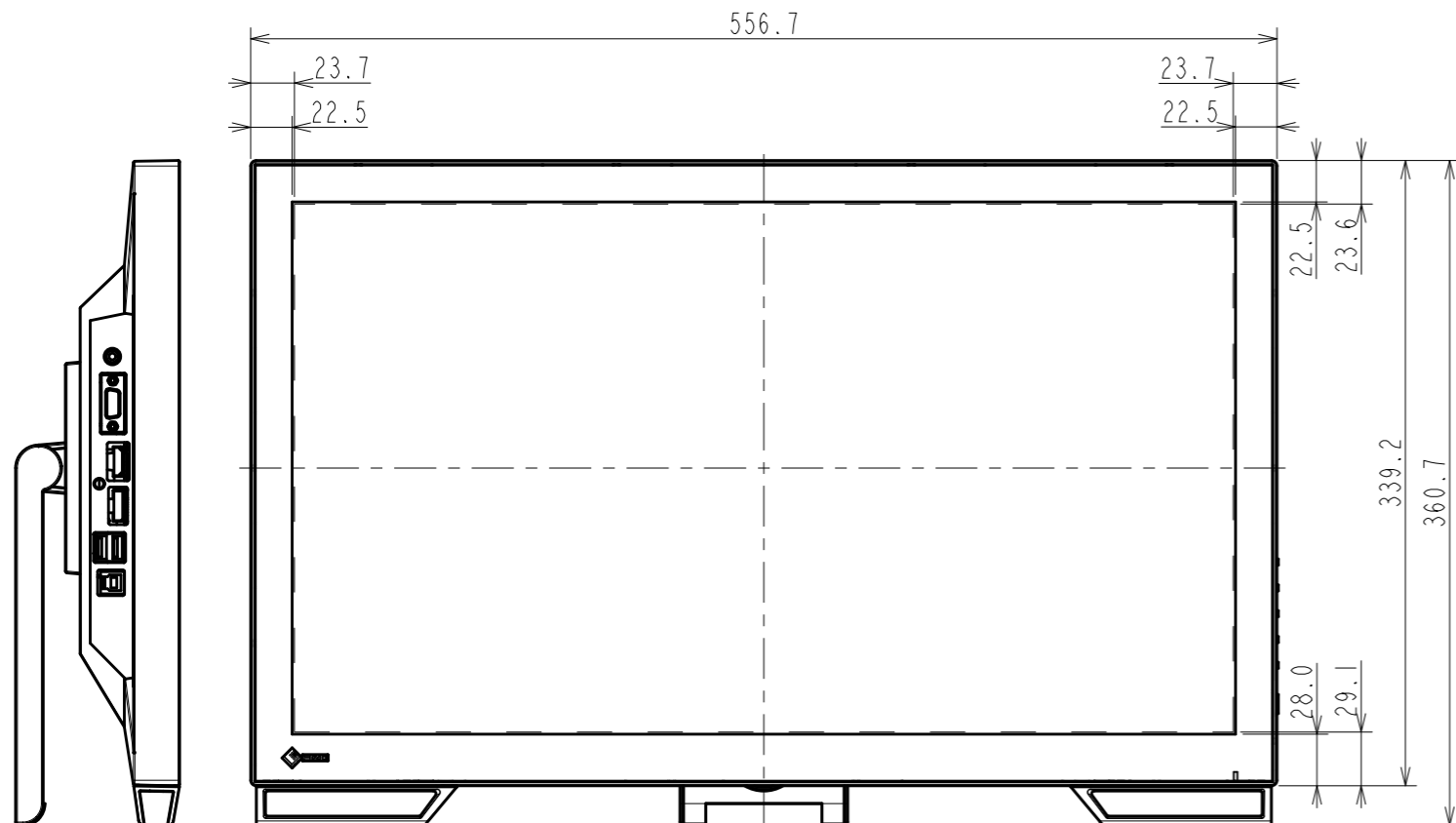
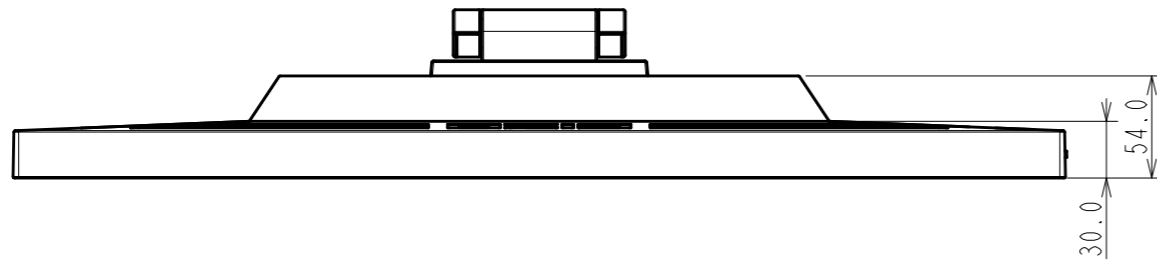
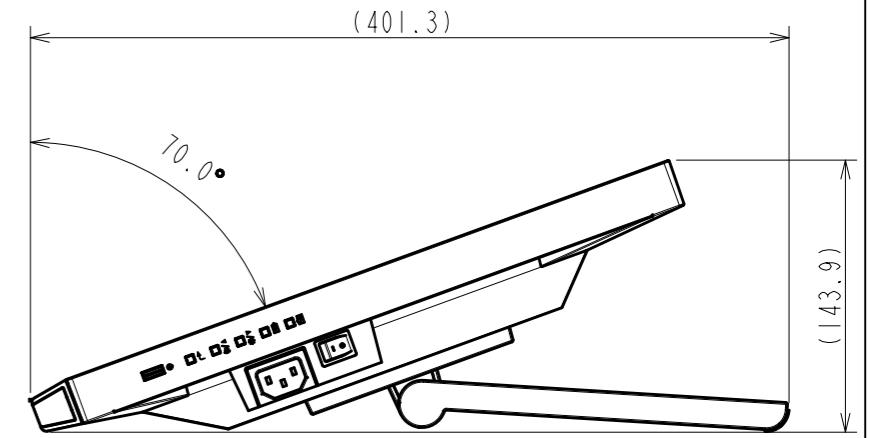
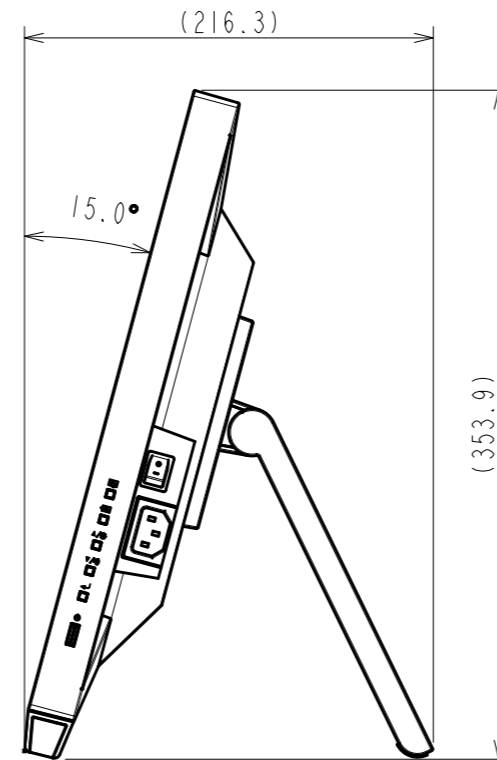


# OUTLINE DIMENSIONS

MODEL MS236WTA

UNIT mm

**EIZO Corporation**



**OUTLINE DIMENSIONS**

**MODEL** MS236WTA

**UNIT** mm

**EIZO Corporation**

