

Installation Manual

PCSK-03



Introduction

This Installation Manual explains the procedure to install a PC compatible with PCSK-03.

Compatible PCs

HP t520 Thin Client	P.4
HP t310 Zero Client	P.5
HP Z2 Mini G3 Workstation / G4 Workstation	P.6
HP EliteDesk800 G3 DM	P.7
HP Elite Slice	P.8
HP t310 G2 Zero Client	P.9
HP t530 Thin Client	P.10
Dell Wyse 3010TC / T10 / 5030PCoIP / P25	P.12
Dell Wyse 5010TC / D10D / D10DP	P.13
GIGABYTE GB-BKi7HT2-7500 / GB-BKi7HT-7500	P.14
Lenovo ThinkStation P320 Tiny	P.15

HP is a registered trademark of HP Hewlett Packard Group LLC.

EliteDesk and Elite Slice are a registered trademark of Hewlett-Packard Development Company, L.P.

Dell is a registered trademark of Dell Inc.

Wyse is a trademark or a registered trademark of Dell Inc.

GIGABYTE is a registered trademark of GIGA-BYTE Technology Co., Ltd.

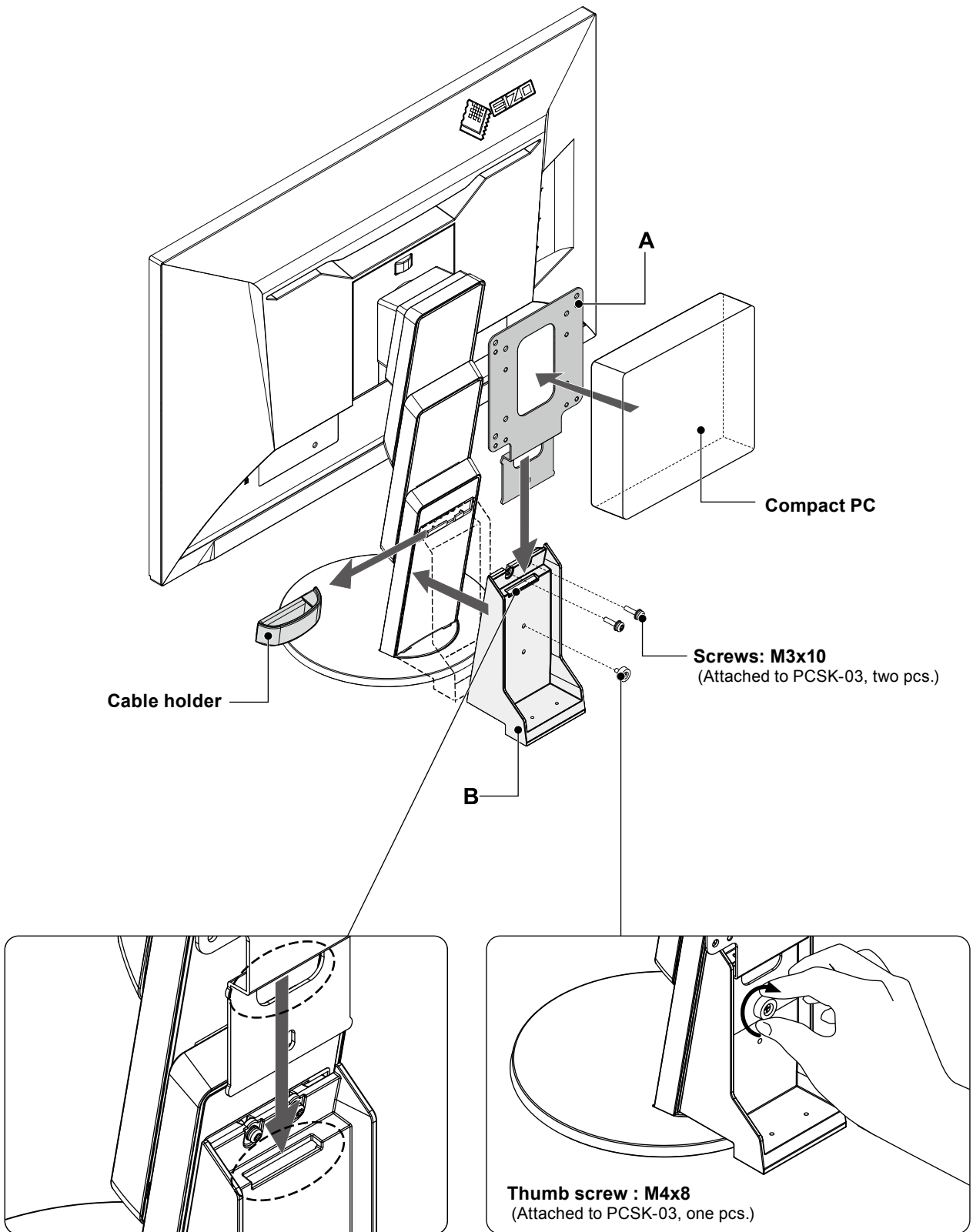
Lenovo, ThinkCentre and ThinkStation are registered trademarks of Lenovo Corporation.

TORX is a registered trademark of Acument Intellectual Properties, LLC.

EIZO and the EIZO Logo are registered trademarks of EIZO Corporation in Japan and other countries.

All other company and product names are trademarks or registered trademarks of their respective owners.

How to Install a PC on a Monitor



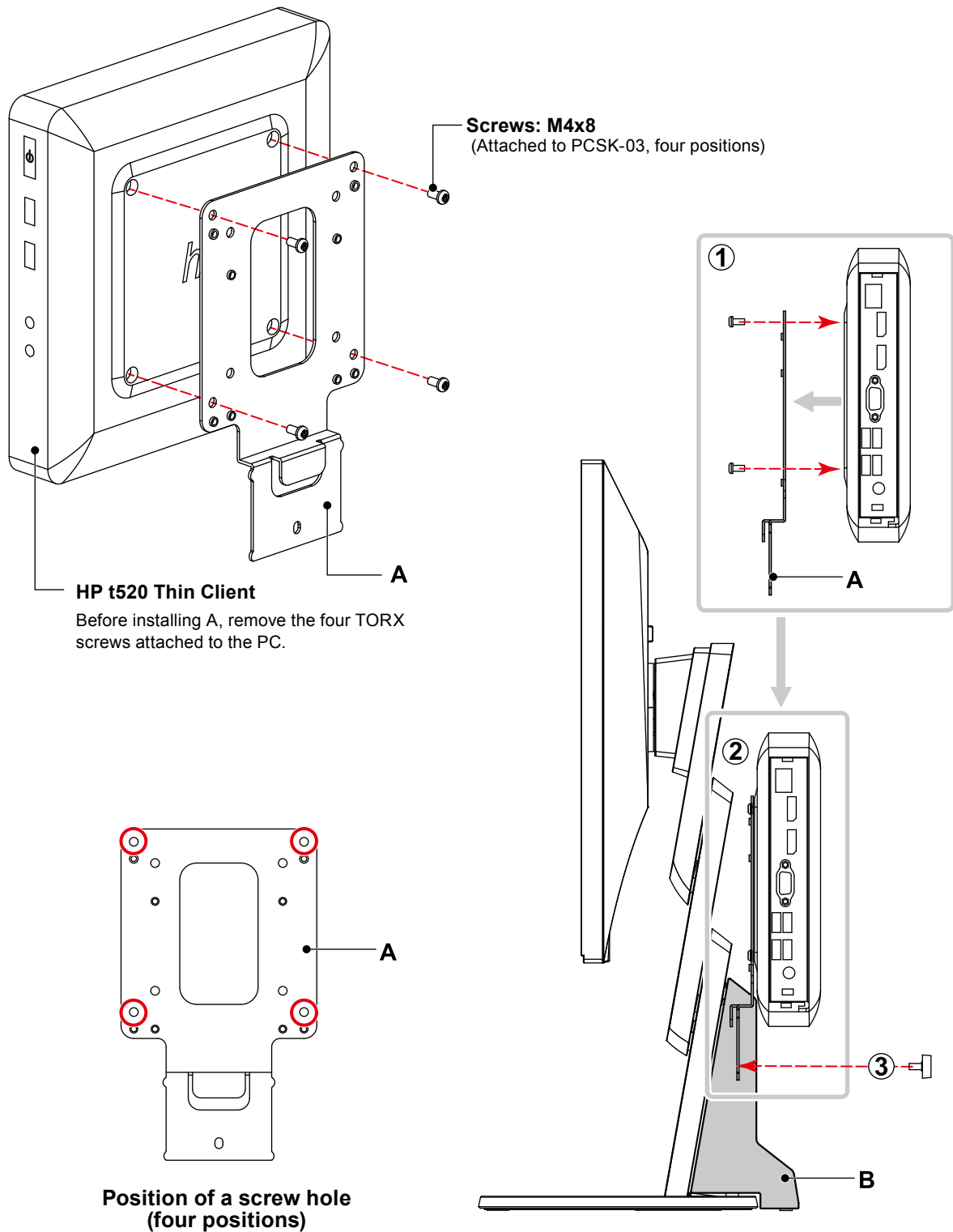
HP t520 Thin Client

Parts required

- Screws: M4x8 (Attached to PCSK-03, four pcs.)

Tools required

- Phillips screwdriver (#2)
- TORX driver (T10)



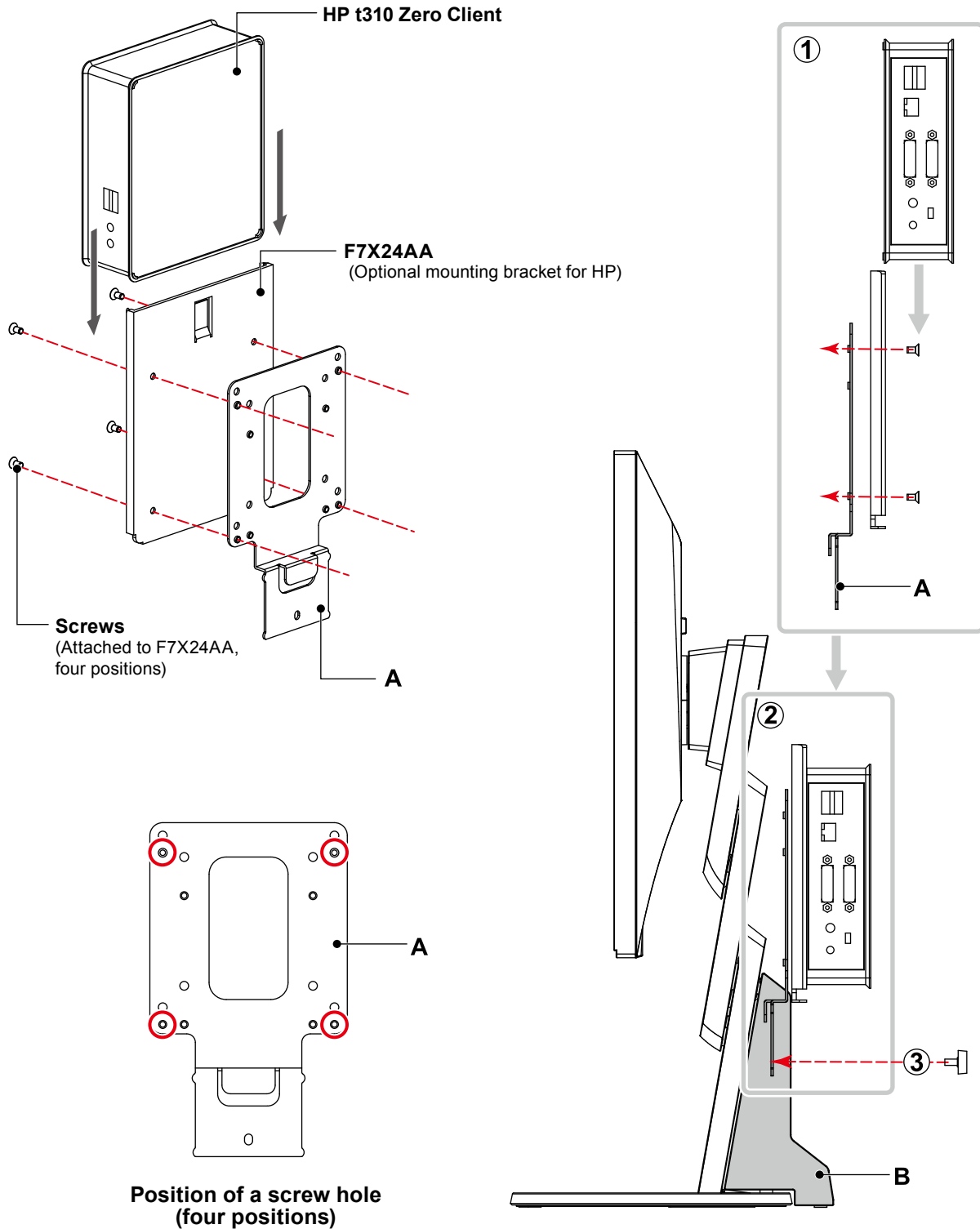
HP t310 Zero Client

Parts required

- F7X24AA (Optional mounting bracket for HP)
- Screws (Attached to F7X24AA, four pcs.)

Tools required

- Phillips screwdriver (#2)



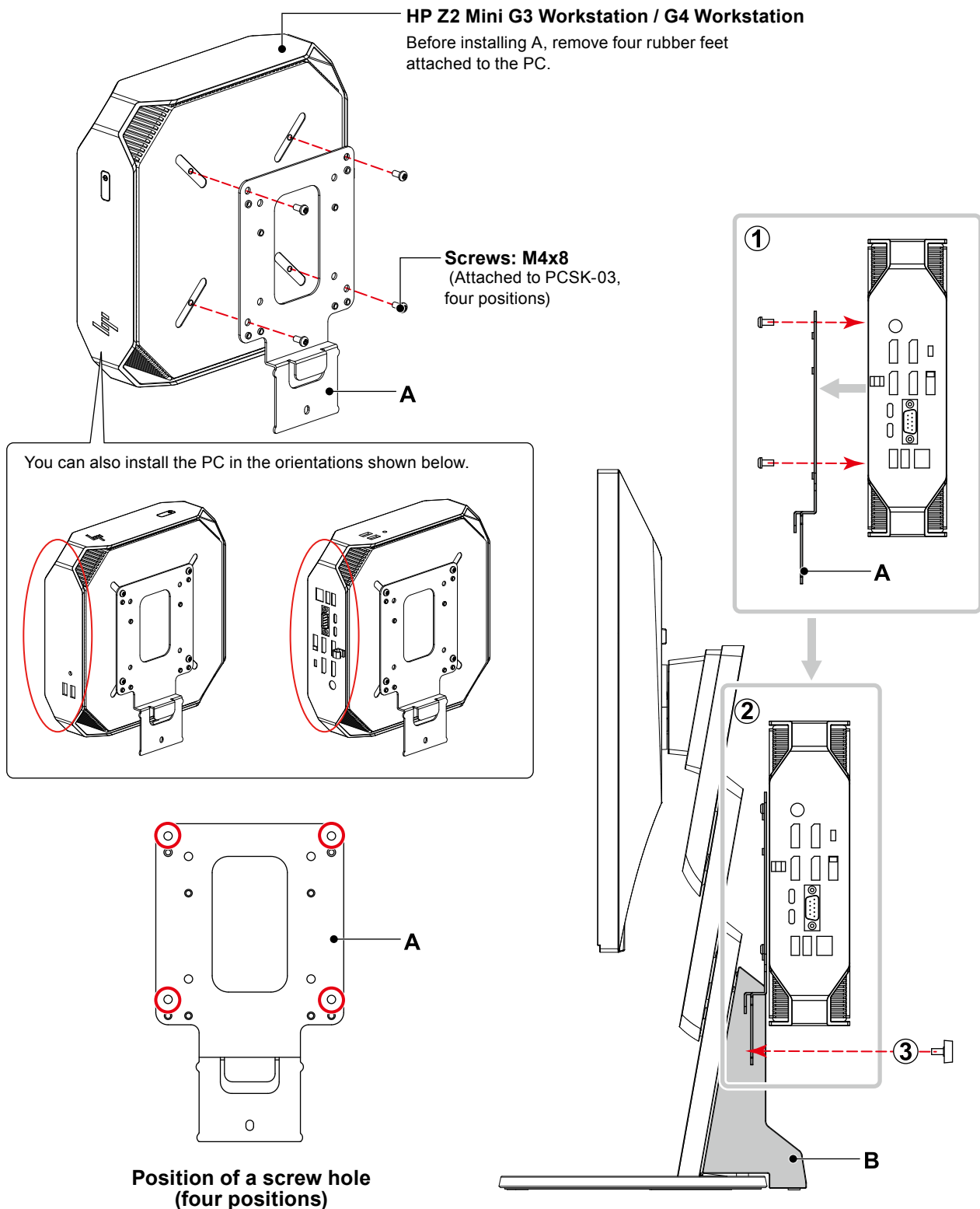
HP Z2 Mini G3 Workstation / G4 Workstation

Parts required

- Screws: M4x8 (Attached to PCSK-03, four pcs.)

Tools required

- Phillips screwdriver (#2)



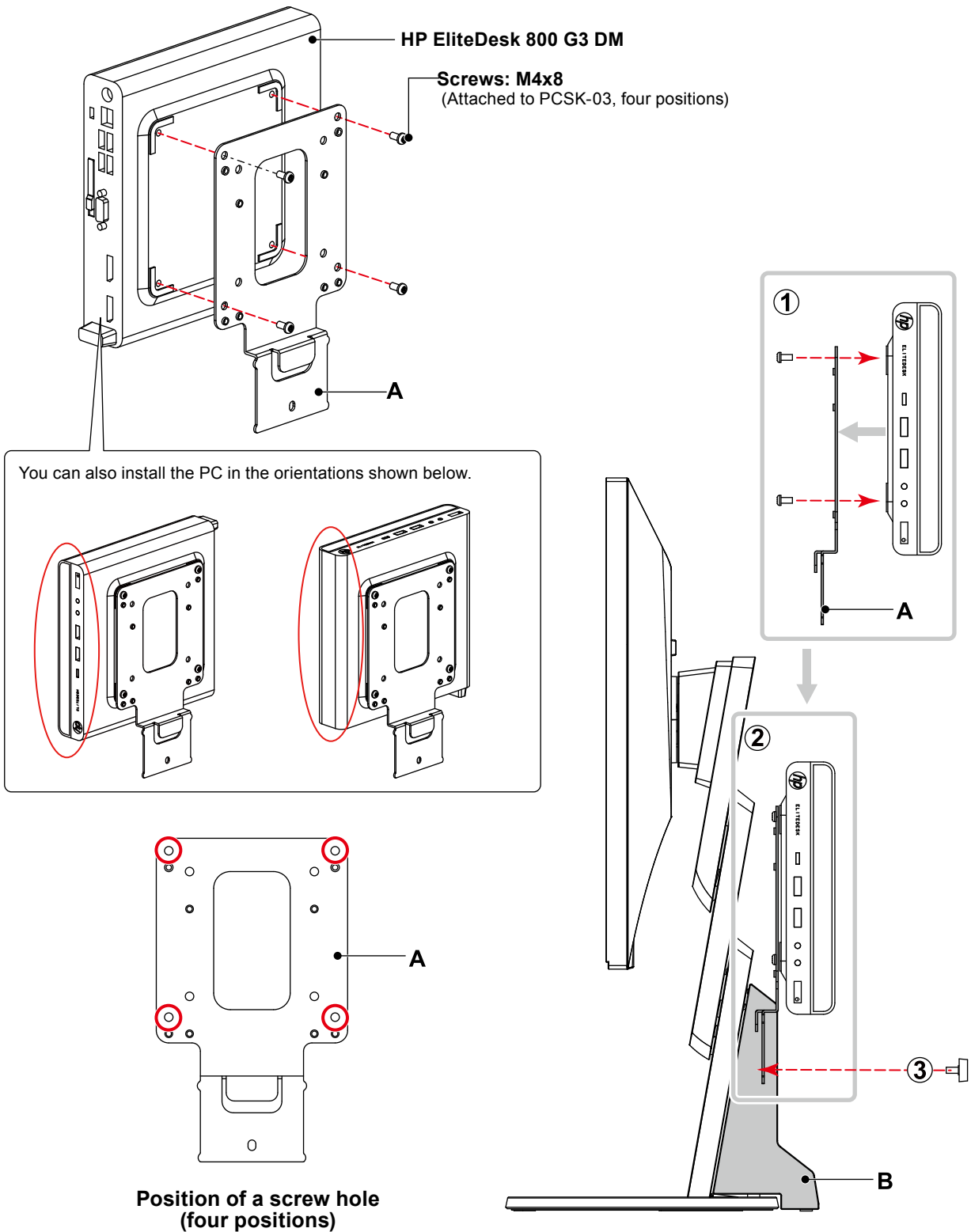
HP EliteDesk800 G3 DM

Parts required

- Screws: M4x8 (Attached to PCSK-03, four pcs.)

Tools required

- Phillips screwdriver (#2)



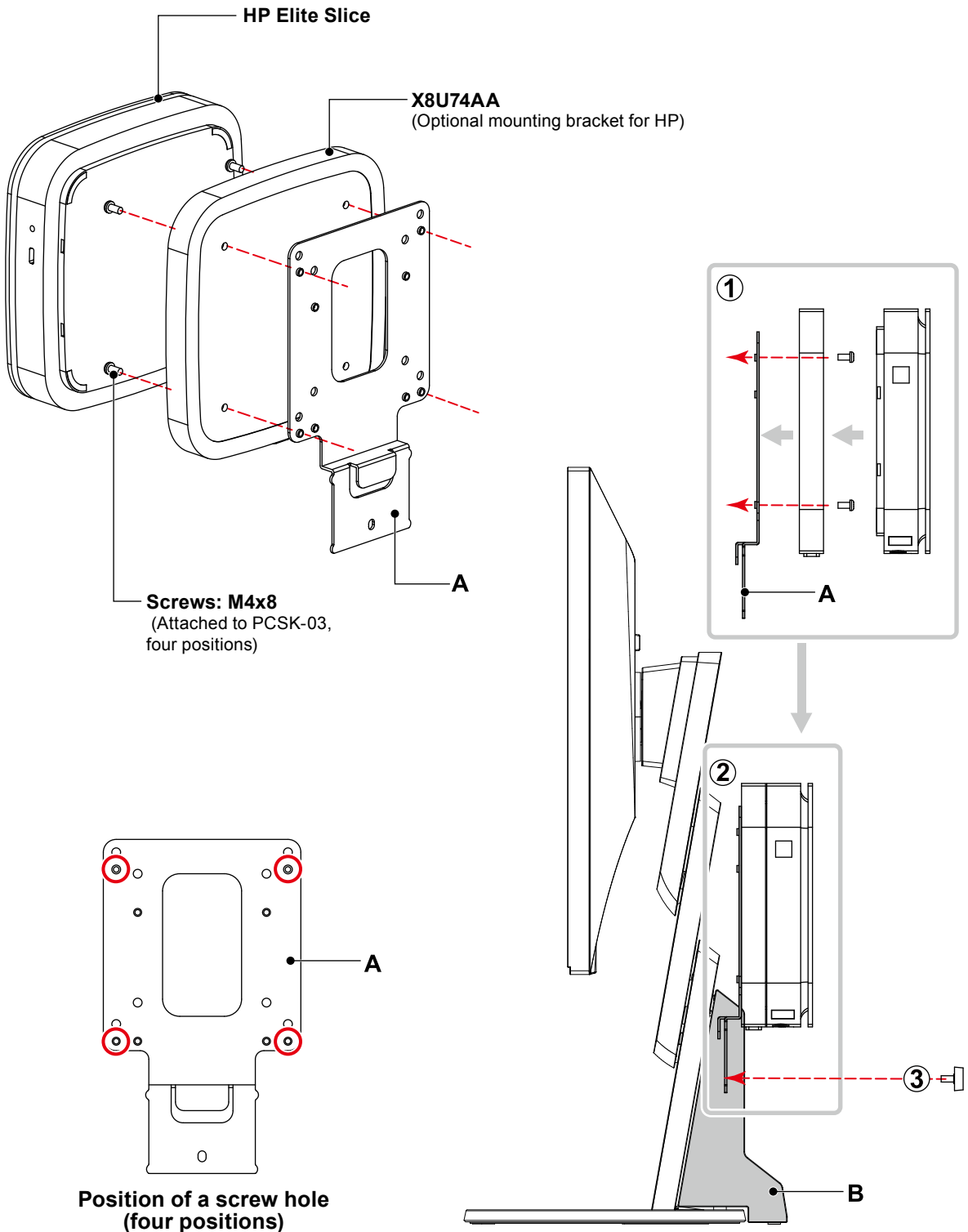
HP Elite Slice

Parts required

- X8U74AA (Optional mounting bracket for HP)
- Screws: M4x8 (Attached to PCSK-03, four pcs.)

Tools required

- Phillips screwdriver (#2)



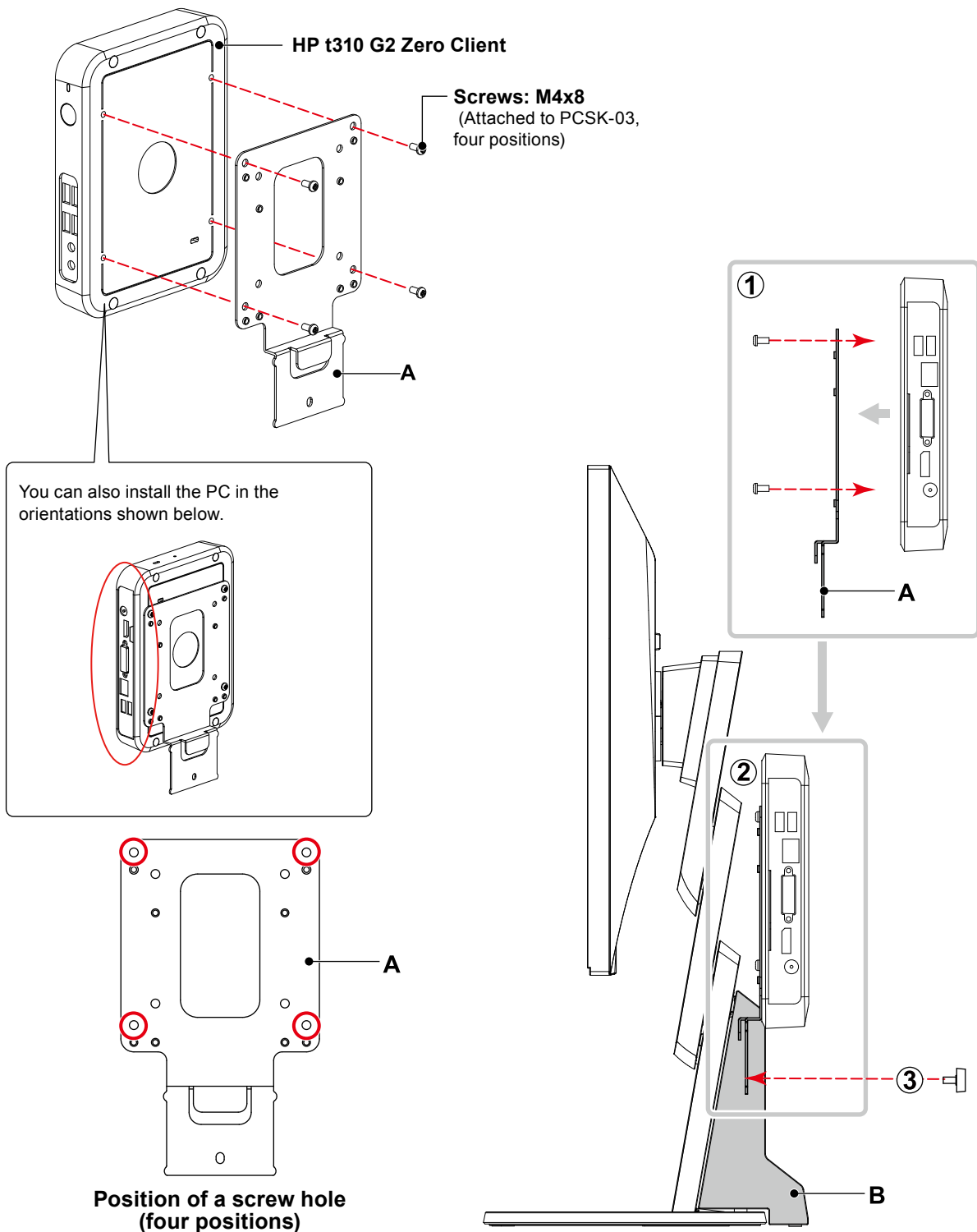
HP t310 G2 Zero Client

Parts required

- Screws: M4x8 (Attached to PCSK-03, four pcs.)

Tools required

- Phillips screwdriver (#2)



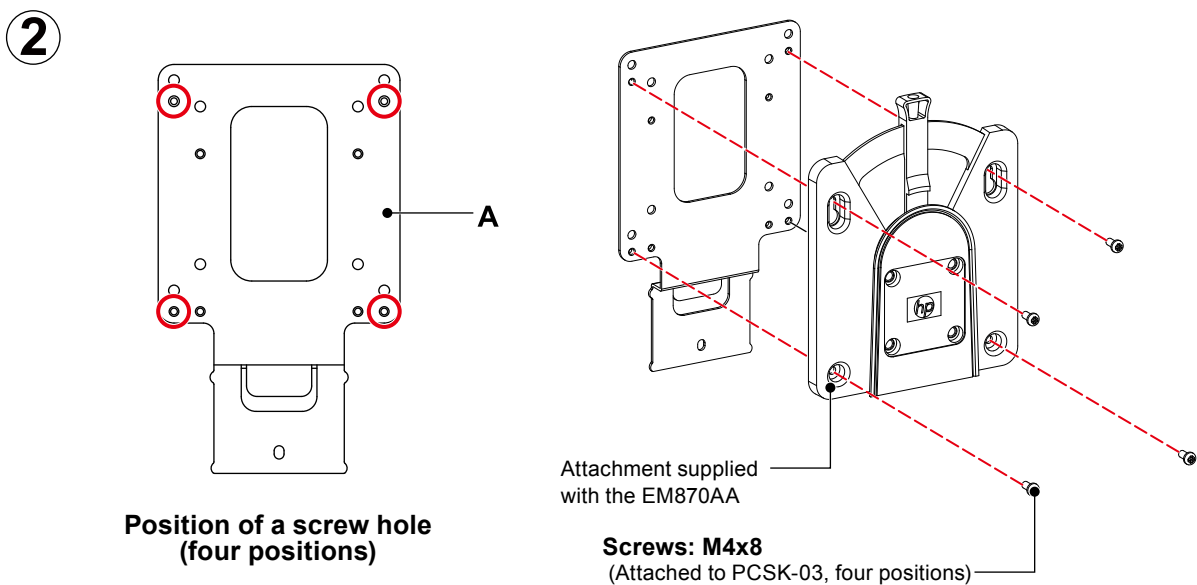
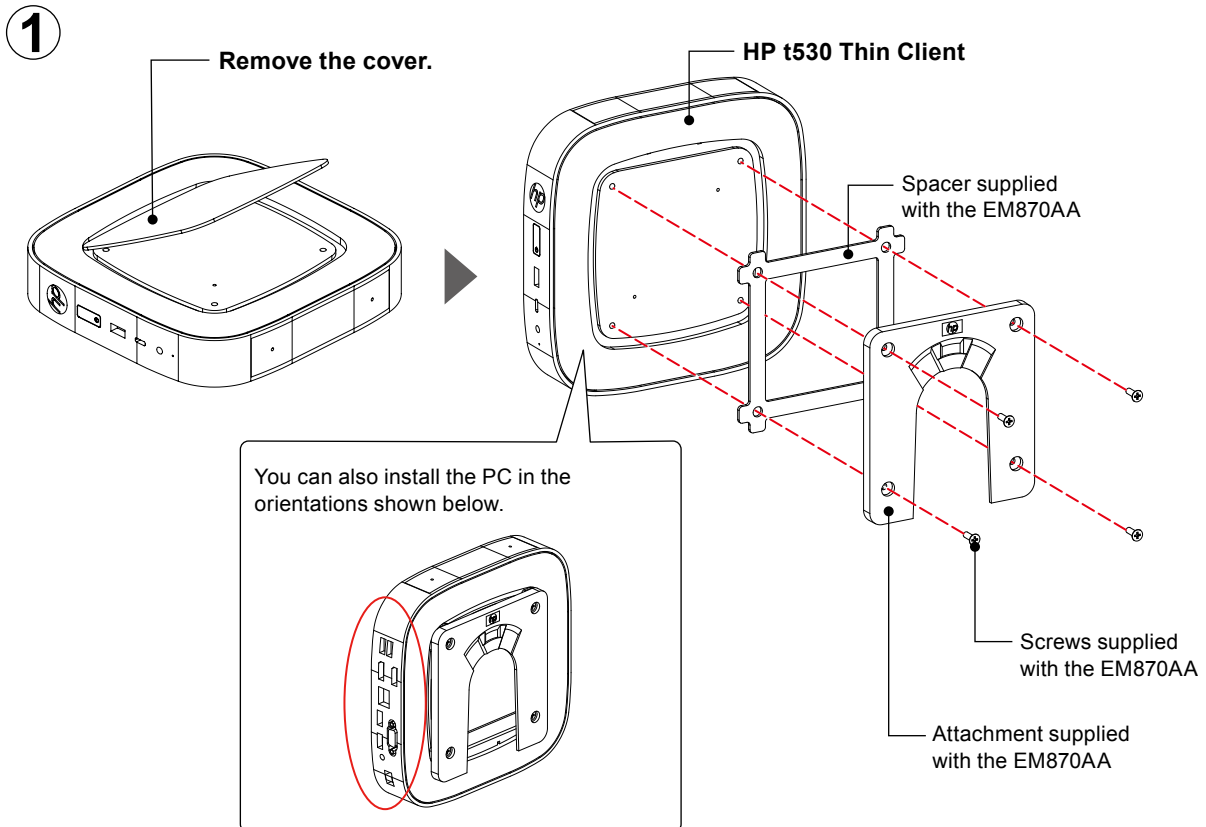
HP t530 Thin Client

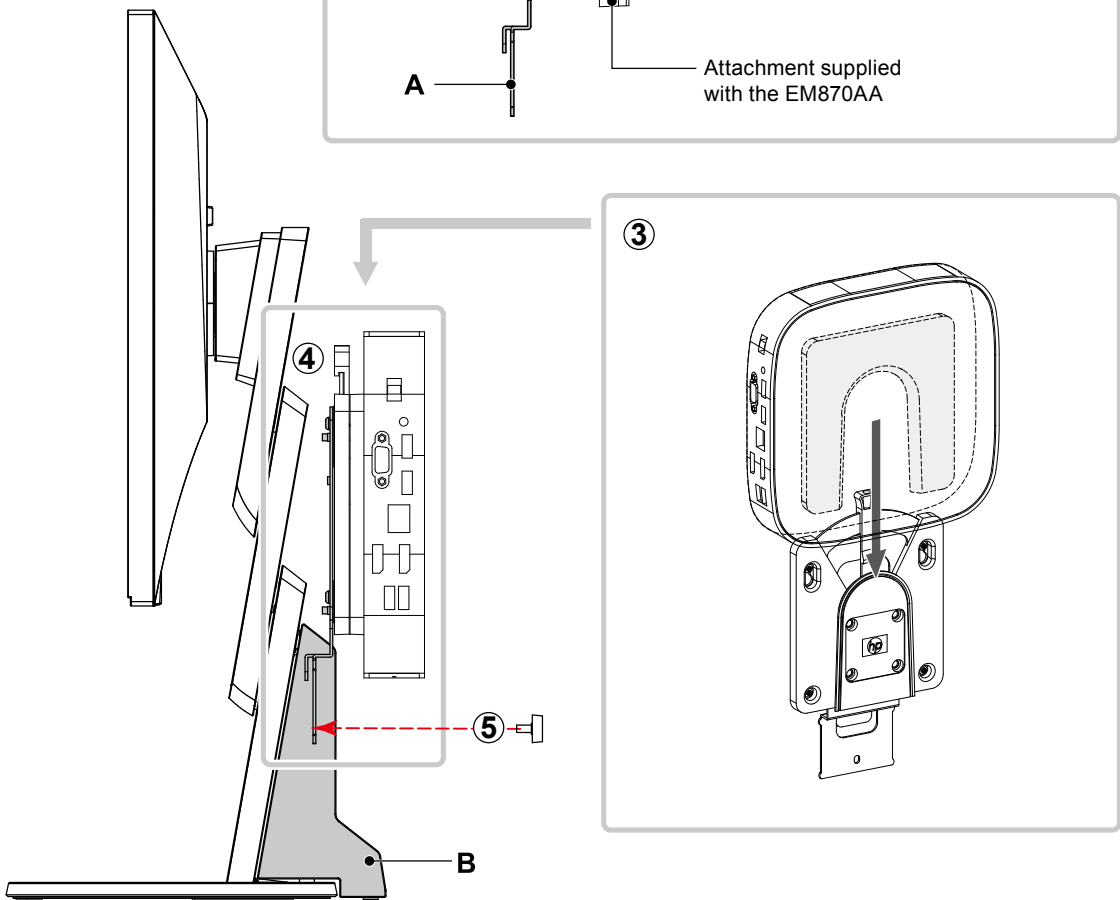
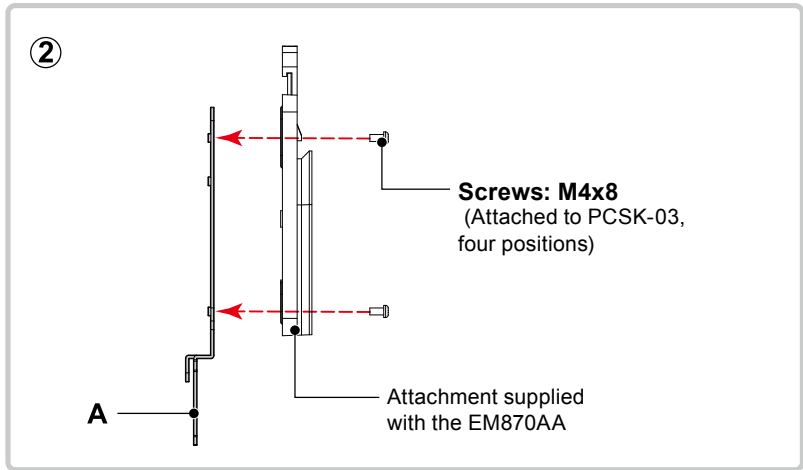
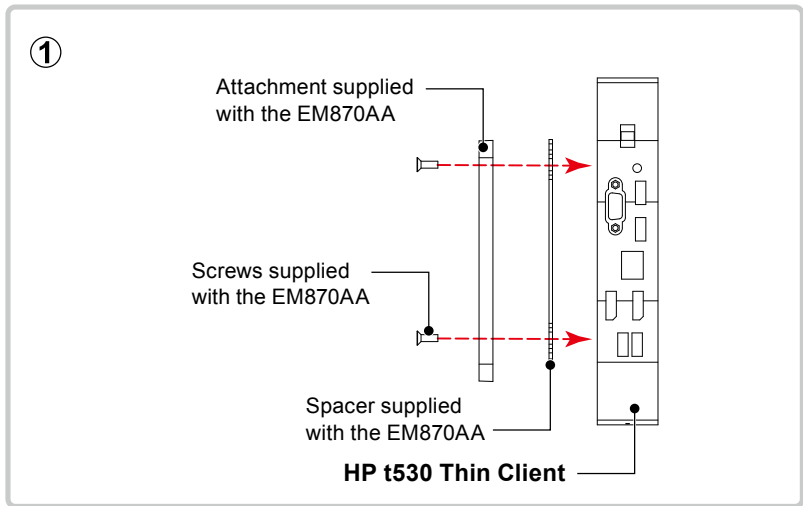
Parts required

- EM870AA (Optional HP Quick Release Attachment)
 - Quick Release Attachment (2 types)
 - Spacer with a thickness of 2 mm
- Screws: M4x12 (4 pcs.)
- Screws: M4x8 (Attached to PCSK-03, four pcs.)

Tools required

- Phillips screwdriver (#2)





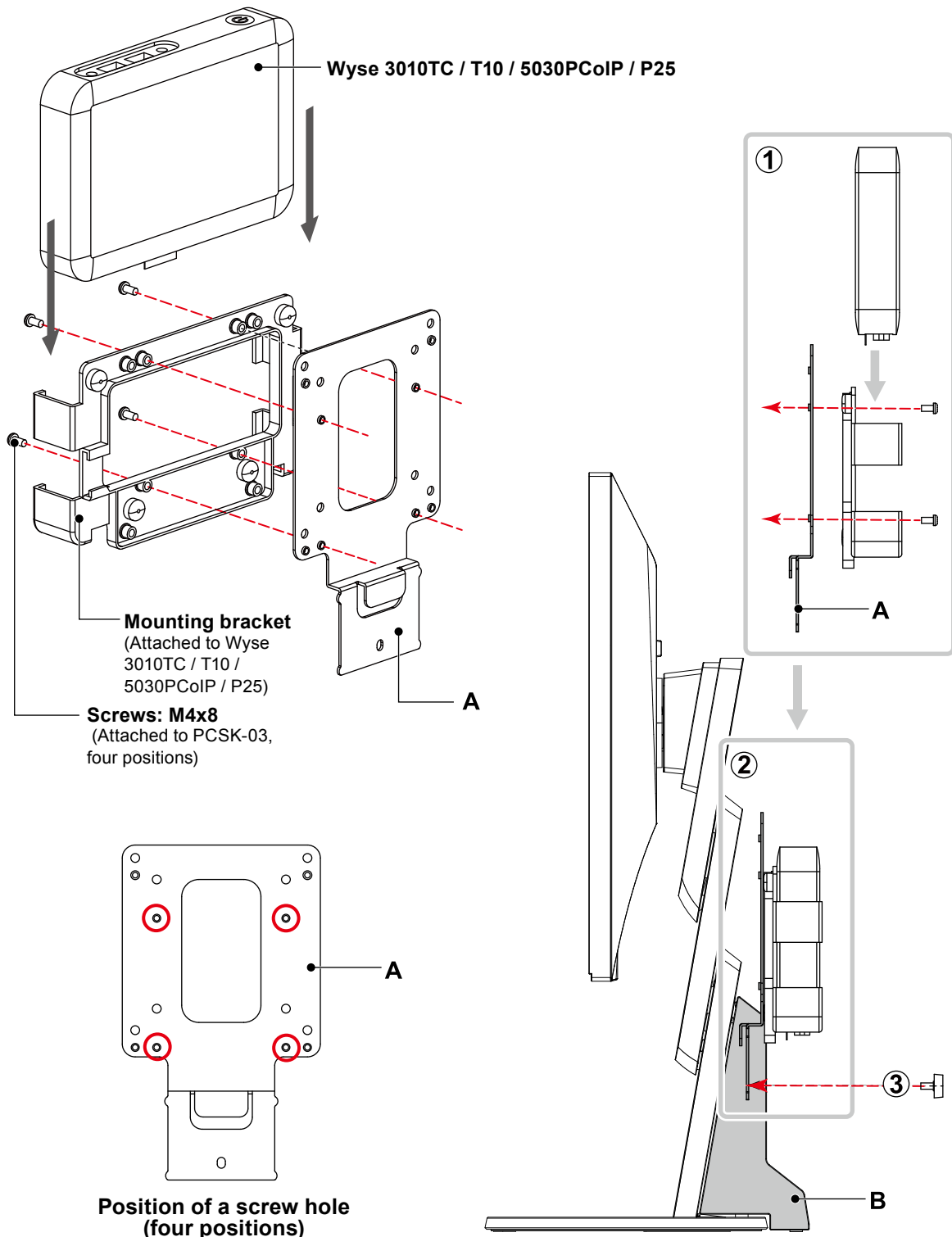
Dell Wyse 3010TC / T10 / 5030PCoIP / P25

Parts required

- Mounting bracket (Attached to Wyse 3010TC / T10 / 5030PCoIP / P25)
- Screws: M4x8 (Attached to PCSK-03, four pcs.)

Tools required

- Phillips screwdriver (#2)



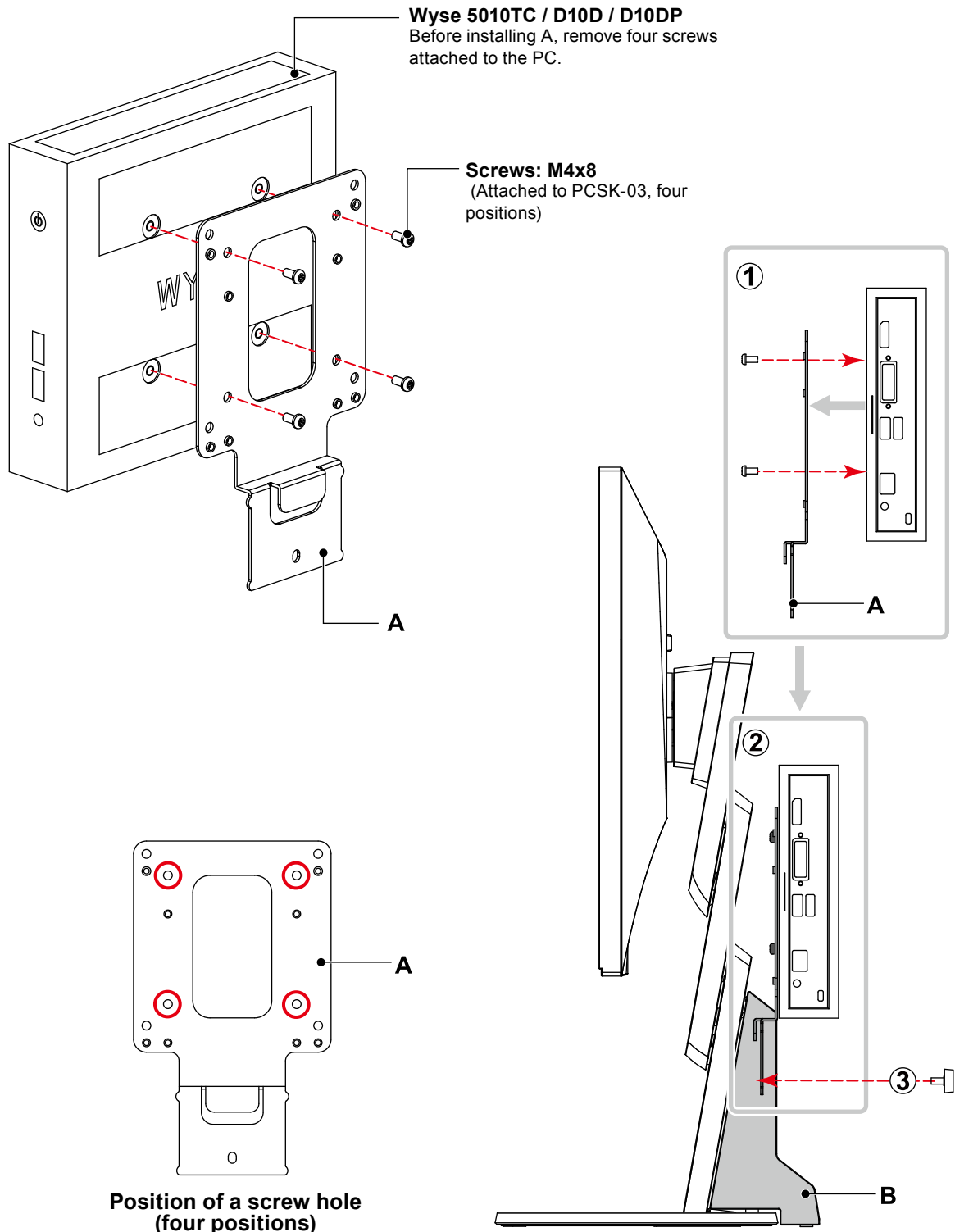
Dell Wyse 5010TC / D10D / D10DP

Parts required

- Screws: M4x8 (Attached to PCSK-03, four pcs.)

Tools required

- Phillips screwdriver (#2)



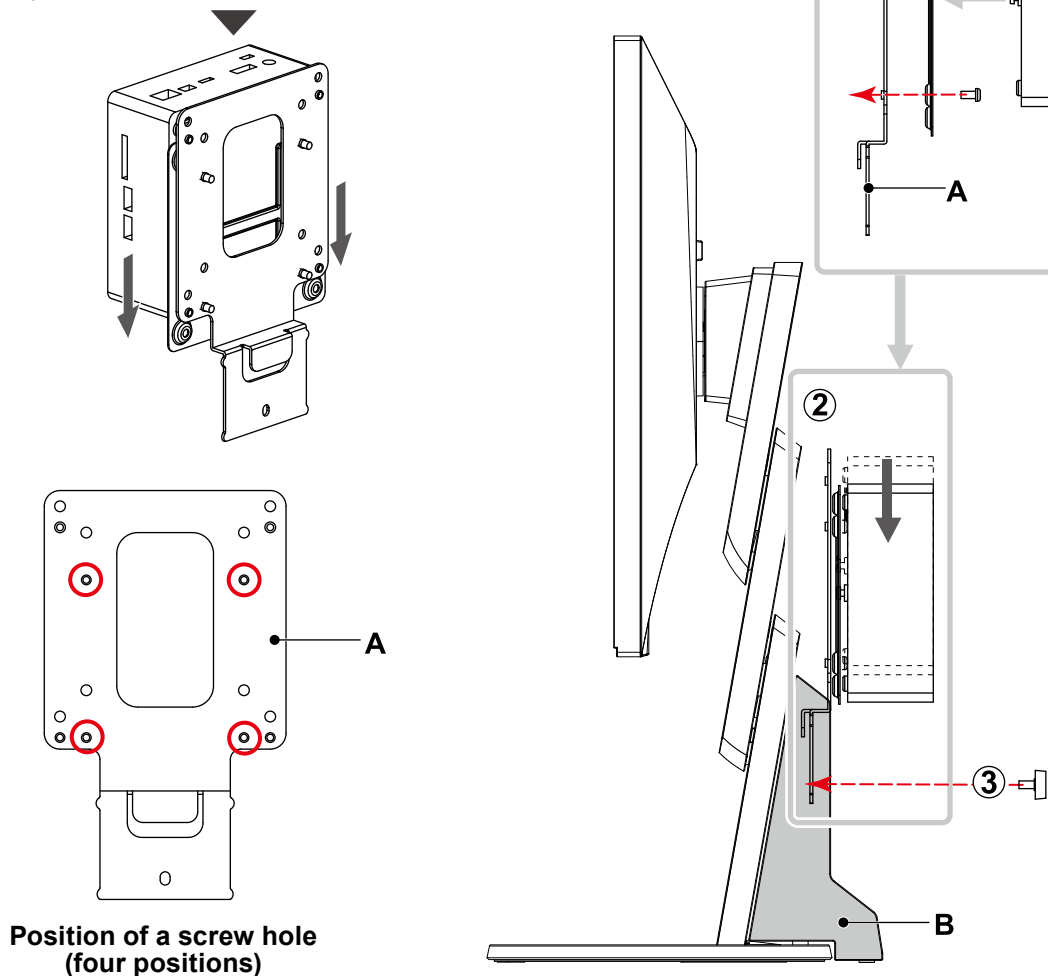
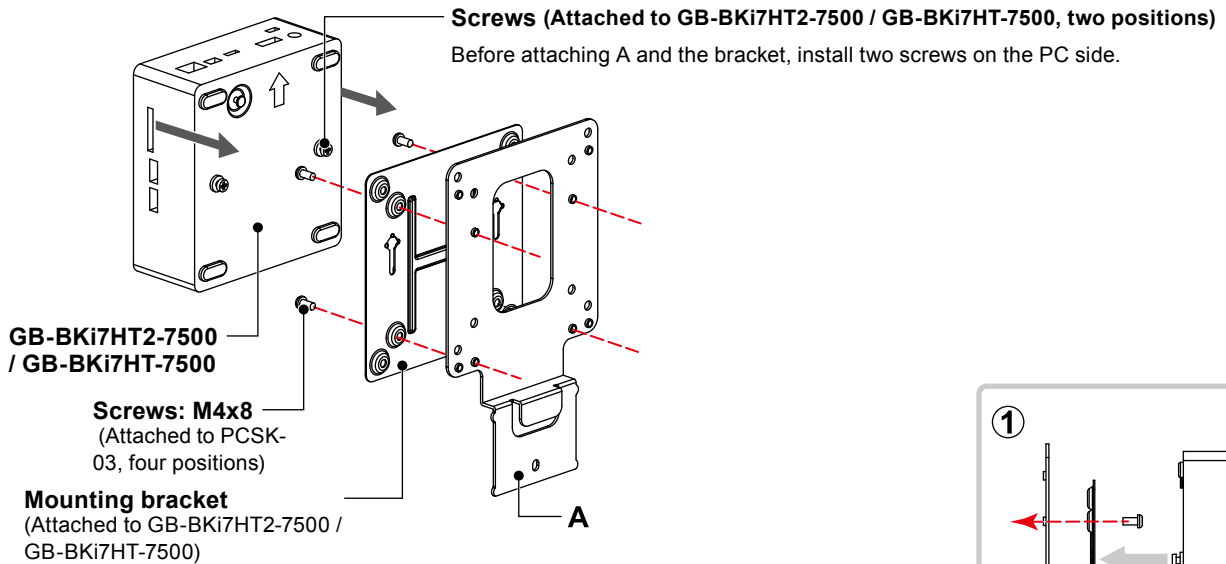
GIGABYTE GB-BKi7HT2-7500 / GB-BKi7HT-7500

Parts required

- Mounting bracket (Attached to GB-BKi7HT2-7500 / GB-BKi7HT-7500)
- Screws (Attached to GB-BKi7HT2-7500 / GB-BKi7HT-7500 two pcs.)
- Screws: M4x8 (Attached to PCSK-03, four pcs.)

Tools required

- Phillips screwdriver (#2)



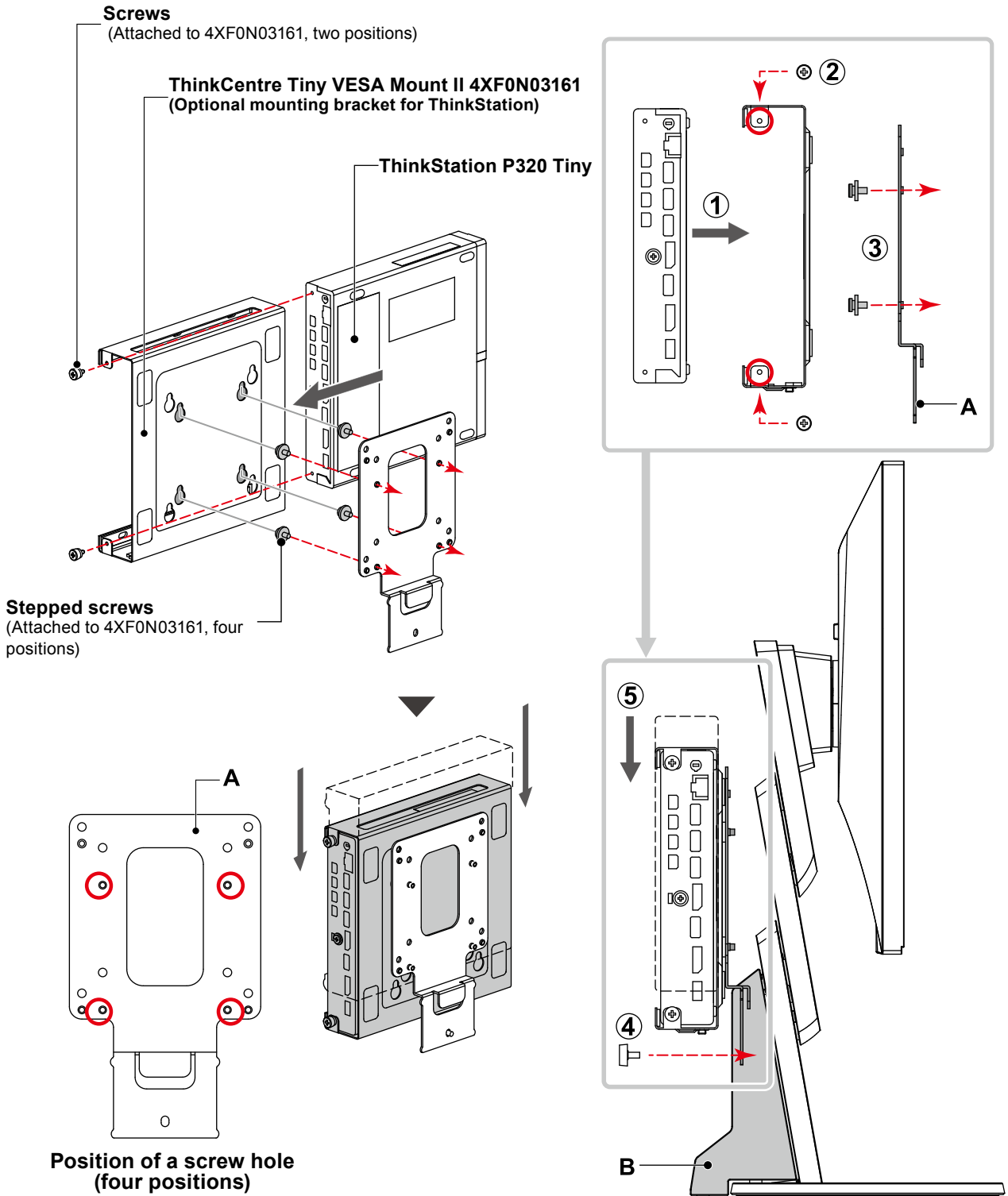
Lenovo ThinkStation P320 Tiny

Parts required

- ThinkCentre Tiny VESA Mount II 4XF0N03161 (Optional mounting bracket for ThinkStation)
- Screws (Attached to 4XF0N03161: 2 types, total of six pcs.)

Tools required

- Phillips screwdriver (#2)





EIZO Corporation

www.eizoglobal.com

Copyright © 2016-2019 EIZO Corporation. All rights reserved.

03V26736J1
IM-PCSK-03-2-AL

9th Edition-March, 2019