



PDC-0100

Set Up guide. Evan Krachman EIZO Product manager © 2019

PDC0100

- Analog to Digital Converter
- 1600x1200 maximum analog input resolution
- 1280x1024 digital output resolution
- Preset timings and Force Mode tool to lock to new timings
- On Screen Display control through external keypad
- Automatic tools to perform timing and level adjustment
- Supports Sync On Green

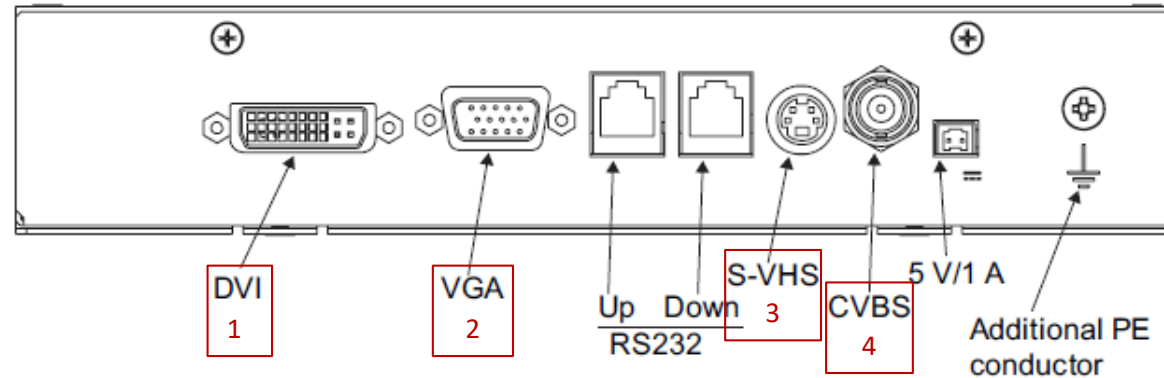


Packing Contents – PDC0100

Items	Qty
PDC0100 analog DVI converter	1
Power supply unit	1
Power cord EU	1
Power cord US	1
Keypad (control unit)	1
Connection cable (CAT-5) 30 meters	1
DVI – DVI cable	1
VGA – VGA cable	1
BNC – VGA cable	1 (used for Sync On Green)

Connecting PDC0100

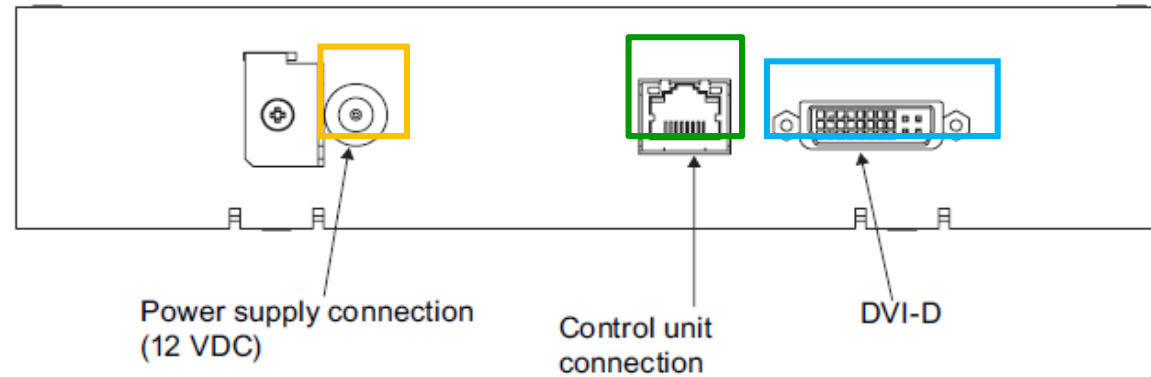
- Connector locations
 - Inputs of the analog DVI converter



#	Description	Connector Type	To / From
1	DVI	DVI-A	From analog video source
2	VGA (SOG requires supplied BNC to VGA adapter)	15-pin D-Sub	From analog video source
3	S-VHS	4-pin mini-DIN	From analog video source
4	CVBS (NTSC, PAL, SECAM)	BNC	From analog video source

Connecting PDC0100

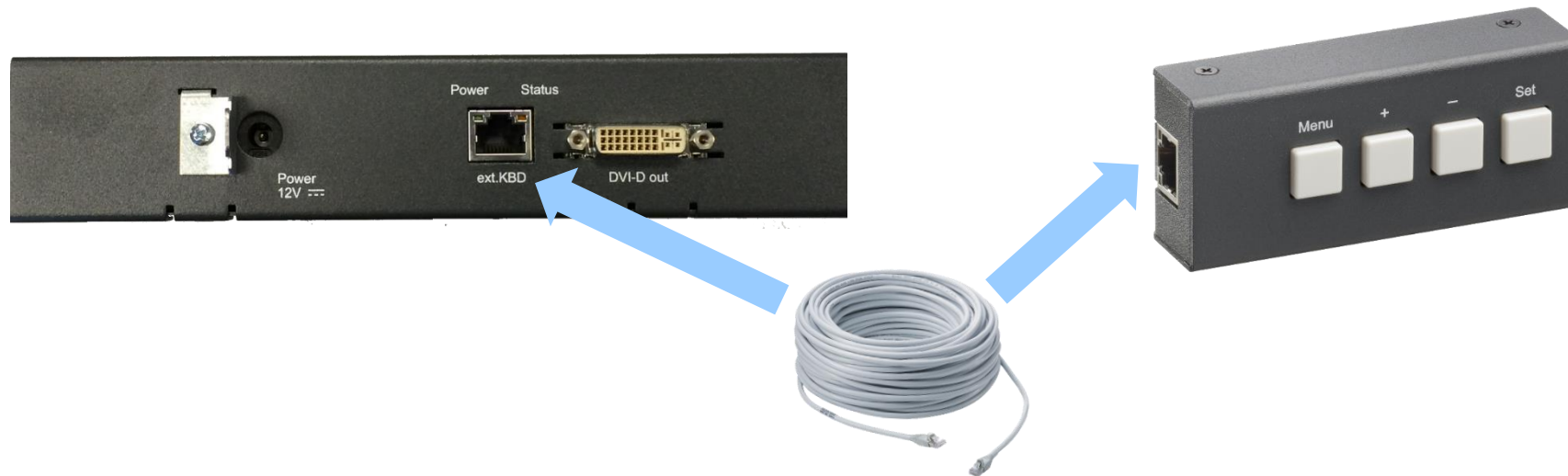
- Connector locations
 - Output of the analog DVI converter and power supply



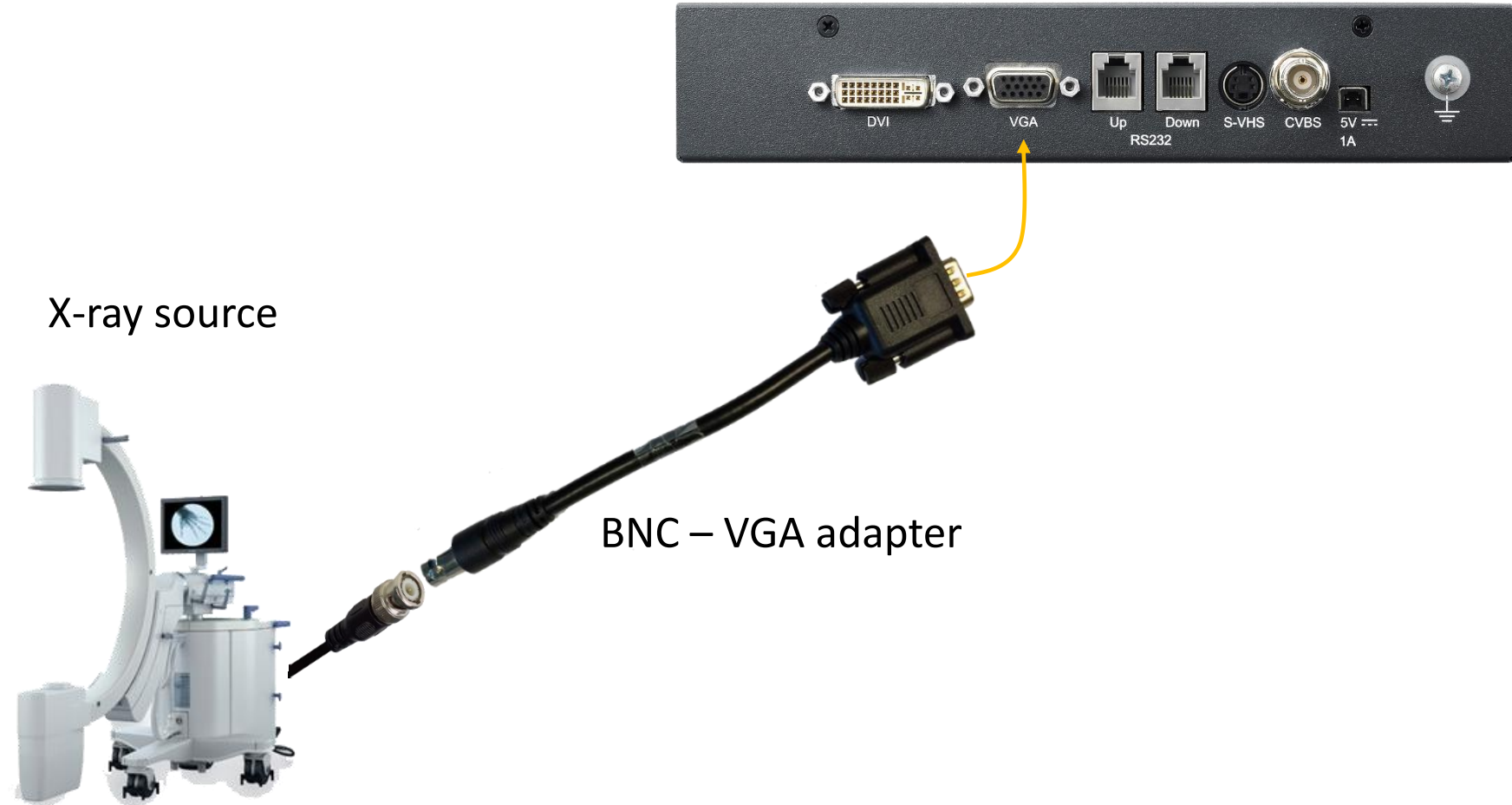
Description	Connector Type	To / From
Power supply input	12 V DC	From DC brick power supply
Control unit connection	Ethernet / RJ45	Mini-keypad, Service Purpose Only
DVI-D Output	DVI-D	To LMM56800, LMM0802, LMM0804

OSD Control

- The 4-button keypad is connected to the PDC0100 using a network patch cable.
- The PDC0100 must not be connected to a network.



Sync on Green (SoG) Connection - PDC0100



Sync on Green (SoG) Setting - PDC0100

