

# User's Manual LA-012-W

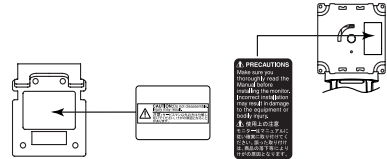
## LCD Monitor Wall Mount Arm

Thank you very much for choosing an EIZO product.  
Please read this User's Manual carefully to familiarize yourself with safe and effective usage procedures.  
Please retain this manual for future reference.

### PRECAUTIONS

- To ensure personal safety and proper maintenance, please read this section and the caution statements on the unit.

#### [Location of the Caution Statements]



### WARNING

- **Do not attempt to install the unit yourself.**  
To install the monitor with this product, it is required the expert knowledge of building techniques. Refer the installation to qualified personnel.
- **Attach the applicable EIZO LCD monitor only.**  
Not doing so may cause the arm or monitor to fall, which may result in injury or equipment damage.
- **Affix the arm securely on the base.**  
Not doing so may cause the monitor to fall and result in injury or equipment damage.
- **Affix the arm on an appropriate base.**  
Do not affix the arm on such a base as shown below or on a weak base which cannot support the monitor or arm. Affixing the arm on these bases may cause the monitor to fall and result in injury.






Do not tilt



No opening



Do not run over

- **Clamp the screws of the arm tightly.**  
If the arm becomes unstable, clamp the screws of the arm securely again. Loose clamping may cause the monitor to fall and result in injury or equipment damage.
- **Do not hang from or lean on the arm.**  
Doing so may cause the monitor to fall and result in injury or equipment damage. 
- **When moving the arm, be sure not to pinch a finger between the moving parts.**
- **Do not rotate the monitor more than necessary or reverse direction.**  
Twisting or breaking cable may result in fire or electric shock. 
- **Do not disassemble.**  
The spring mechanism inside of the stand may result in injury or equipment damage when disassembling. 
- **Attach the arm with another person.**  
Do not attach it alone. Doing so may result in injury or equipment damage.



# Package Contents

Please contact your local dealer for assistance if any of the listed items are missing or damaged.

- Arm
- Wall Anchor
- Arm Cover, 2 pcs
- User's Manual
- Sheet (Compatible Screws List)
- Mounting Screws\* (M4 x 8 flat head screws), 3 pcs
- Mounting Screws, 4 pcs each  
(For the compatible screws and monitors, refer to the 'Compatible Screws List'.)

\*Screws for attaching the monitor with arm to the Wall Anchor.

# Compatible Monitors and Wall

## ● Monitors

Supported Weight*	Less than 5.5 kg
Hole Spacing	100 mm x 100 mm (VESA compatible)

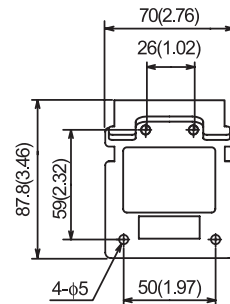
\*Total weight of the monitor including the weight of the cables and optional peripherals.

## ● Wall

Dimensions (W) x (H)	Larger than 70(2.76) x 87.8(3.46) mm (Refer to right figure)
Weight Capability*	More than 130 kg

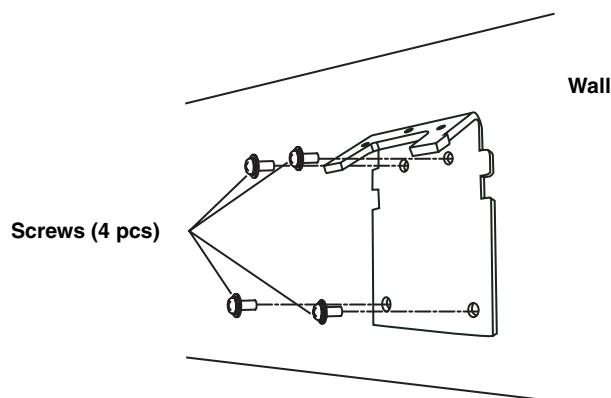
\*Pull-out strength of screws.

Unit: mm (inch)



# How to attach the monitor

1. Attach the wall anchor of the arm on the wall.  
Fix them with screws (4 pcs).

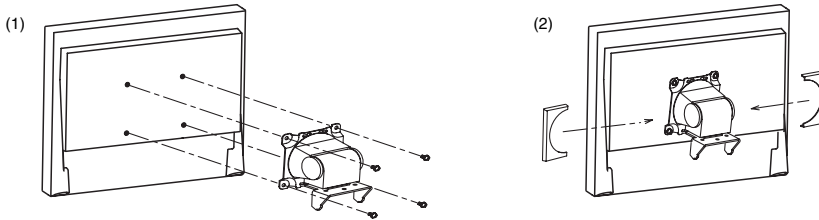


## NOTE

- Screws for fixing wall anchor on the wall are not enclosed. Prepare appropriate screws in advance.

2. Attach the monitor attachment of the arm to the monitor.

- (1) Attach the arm to the monitor with specific screws (4 points).
- (2) Put in the arm covers to the shield plate with sliding them rightward or leftward.

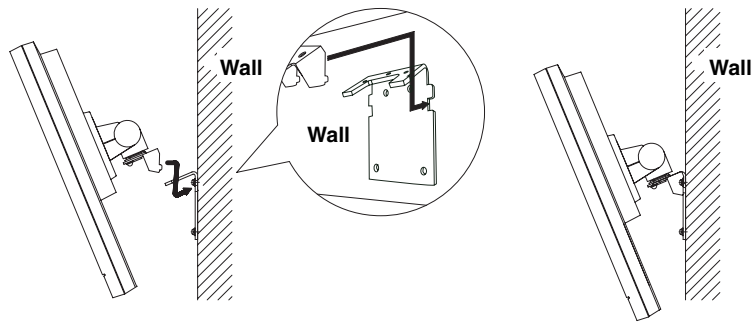


**NOTE**

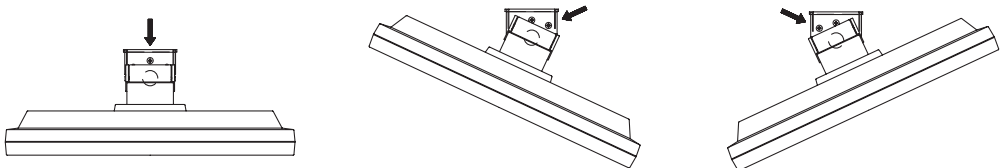
- Use specified screws for tightening up between the arm, fitting and monitor referring to the 'Compatible Screws List'.

3. Attach the monitor on the wall.

- (1) Put the monitor attachment on the wall anchor.



- (2) Attach the wall anchor to the monitor attachment with the flat head screws (M4 x 8, 3 points). Fix the center of the hole with a flat head screw and move the monitor from side to side then fix the rest of the holes with screws.

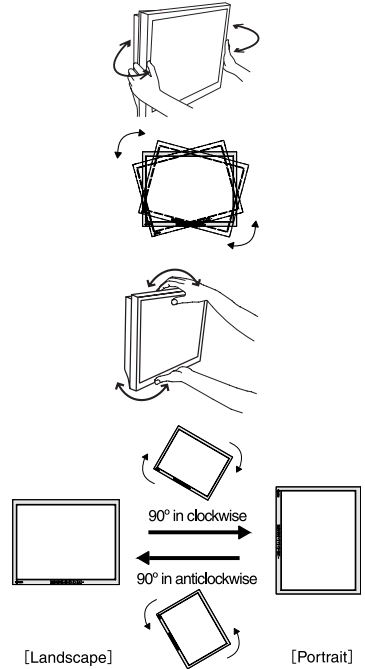


**NOTE**

- When attaching the wall anchor to the arm, confirm that the hook is securely fit in the slot and fix them with screws.

# How to adjust the monitor

1. Grip both side of the monitor, adjust the swivel angle of the screen.
2. Slightly adjust the monitor angle.  
When swiveling the monitor, the screen angle may tilt.  
Adjust the monitor angle to be horizontal.
3. Grip top and bottom of the monitor and adjust the tilt angle of the screen.
4. When using the monitor in the portrait display, rotate the monitor 90° in clockwise direction.  
To return to the landscape display, rotate the monitor 90° in anticlockwise direction.



## NOTE

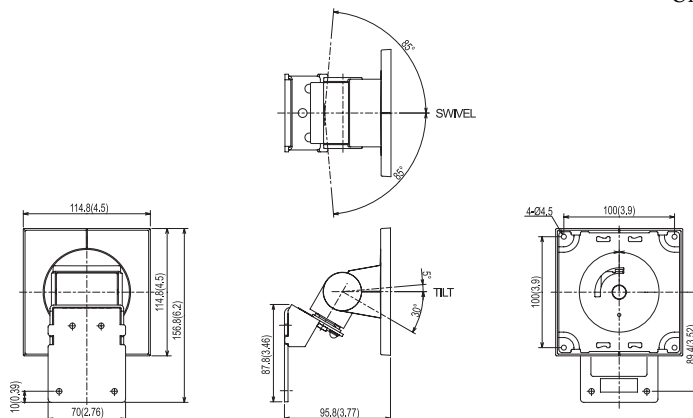
- Do not use the monitor other than the specified orientation.
- Do not rotate the monitor more than necessary or reverse direction. Twisting or breaking cable may result in fire or electric shock.

# Specifications

Dimension (W) x (H) x (D)	114.8 (4.5) x 156.8 (6.2) x95.8 (3.77) mm (inch)
Weight	0.8 kg / 1.76 lbs

## ■ Dimensions

Unit: mm (inch)



## NOTE

- The value within the dimensions drawing is only for reference without attaching the monitor. The range of motion may differ according to the installed monitor or installed condition.

# LIMITED WARRANTY

EIZO NANA CORPORATION (“EIZO”) and EIZO’s authorized distributors warrant to the original purchaser that this product shall be free from defects in material and workmanship for a period of one (1) year from the date of purchase. The service parts stock for the product shall be maintained for five (5) years after the production is discontinued. This warranty is valid only in the countries where EIZO’s authorized distributors are located.

In the event of malfunction of the product during the warranty period attributable directly to defective material and/or workmanship, EIZO and EIZO’s authorized distributors will, at their option, either repair or replace the defective product. EIZO and EIZO’s authorized distributors shall have no obligation under this warranty, however, in the following cases:

- (a) Any defect of the product caused by freight damage, modification, alteration, abuse, misuse, accident, incorrect installation, disaster, faulty maintenance or improper repair by third party other than EIZO and EIZO’s authorized distributors.
- (b) Any incompatibility of the product due to possible technical innovations or regulations.
- (c) Any deformation, discoloration, warp, loss of brightness or focus, or whatsoever due to normal deterioration of the product.
- (d) Any defect of the product caused by external equipment.
- (e) Any defect of the product on which the original serial number has been altered or removed.
- (f) Any exchange of products due to the normal depletion of consumables such as batteries.

To obtain service under this warranty, the original purchaser must deliver the product, freight prepaid, in its original package or other adequate package affording an equal degree of protection, assuming the risk of damage and/or loss in transit, to your local EIZO authorized distributor. The original purchaser must present proof of purchase establishing the date of purchase of the product when requesting warranty service.

Warranty period for any replaced and/or repaired product under this warranty shall expire at the end of the original warranty period.

EIZO OR EIZO’S AUTHORIZED DISTRIBUTORS ARE NOT RESPONSIBLE FOR ANY DAMAGE TO, OR LOSS OF, DATA OR OTHER INFORMATION STORED IN ANY MEDIA OR ANY PART OF ANY PRODUCT RETURNED TO EIZO OR EIZO’S AUTHORIZED DISTRIBUTORS FOR REPAIR.

EIZO AND EIZO’S AUTHORIZED DISTRIBUTORS MAKE NO FURTHER WARRANTIES, EXPRESS OR IMPLIED, WITH RESPECT TO THE PRODUCT AND ITS QUALITY, PERFORMANCE, MERCHANTABILITY OR FITNESS FOR ANY PARTICULAR USE. IN NO EVENT SHALL EIZO OR EIZO’S AUTHORIZED DISTRIBUTORS BE LIABLE FOR ANY INCIDENTAL, INDIRECT, SPECIAL, CONSEQUENTIAL OR OTHER DAMAGES WHATSOEVER (INCLUDING, WITHOUT LIMITATION, DAMAGES FOR LOSS OF PROFIT, BUSINESS INTERRUPTION, LOSS OF BUSINESS INFORMATION, OR ANY OTHER PECUNIARY LOSS) ARISING OUT OF THE USE OR INABILITY TO USE THE PRODUCT OR IN ANY CONNECTION WITH THE PRODUCTS, WHETHER BASED ON CONTRACT, TORT, NEGLIGENCE, STRICT LIABILITY OR OTHERWISE, EVEN IF EIZO OR EIZO’S AUTHORIZED DISTRIBUTORS HAVE BEEN ADVISED OF THE POSSIBILITY OF SUCH DAMAGES. THIS EXCLUSION ALSO INCLUDES ANY LIABILITY WHICH MAY ARISE OUT OF THIRD PARTY CLAIMS AGAINST THE ORIGINAL PURCHASER. THE ESSENCE OF THE PROVISION IS TO LIMIT THE POTENTIAL LIABILITY OF EIZO AND EIZO’S AUTHORIZED DISTRIBUTORS ARISING OUT OF THIS LIMITED WARRANTY AND/OR SALES.

# MEMO