

Instructions for Use






RadiLight™

Comfort Light for reading rooms

Please read this "Instructions for Use" carefully to familiarize yourself with safe and effective usage. Please retain this manual for future reference.

SAFETY SYMBOLS

This manual and this product use the safety symbols below. They denote critical information. Please read them carefully.

| | | | |
|--|--|---|---|
|  | WARNING Failure to abide by the information in a WARNING may result in serious injury and can be life threatening. |  | CAUTION Failure to abide by the information in a CAUTION may result in moderate injury and/or property or product damage. |
|  | Indicates a warning or caution. | | |
|  | Indicates a prohibited action. For example,  means "Do not disassemble". | | |

PRECAUTIONS

WARNING

If the unit begins to emit smoke, smells like something is burning, or makes strange noises, disconnect all power connections immediately and contact your EIZO representative for advice. Attempting to use a malfunctioning unit may result in fire, electric shock, or equipment damage.

Do not open the cabinet or modify the unit.

Opening the cabinet or modifying the unit may result in fire, electric shock, or burn.



Refer all servicing to qualified service personnel.

Do not attempt to service this product yourself as opening or removing covers may result in fire, electric shock, or equipment damage.

Use the unit in an appropriate location.

Otherwise, fire, electric shock, or equipment damage may result.

- Do not place outdoors.
- Do not place in any form of transportation (ships, aircraft, trains, automobiles, etc.).
- Do not place in dusty or humid environments.
- Do not place in locations where water may be splashed on the screen (bathrooms, kitchens, etc.).
- Do not place in locations where steam comes in direct contact with the screen.
- Do not place near heat generating devices or humidifiers.
- Do not place in locations where the product is subject to direct sunlight.
- Do not place in environments with inflammable gas.
- Do not place in environments with corrosive gases (such as sulfur dioxide, hydrogen sulfide, nitrogen dioxide, chlorine, ammonia, and ozone).
- Do not place in environments with dust, components that accelerate corrosion in the atmosphere (such as sodium chloride and sulfur), conductive metals, and so on.



CAUTION

Do not look directly into the light source.

Doing so may cause eye pain or impair vision.



Do not apply excessive force to the arm.

If you bend or twist the arm using excessive force, it may break or malfunction.



When rotating the monitor, remove the lighting unit.

If the lighting unit is not removed, it may come off when rotating the monitor, or the arm may accidentally hit other components such as the monitor and cause components to break or malfunction.

Dispose of the products in accordance with the laws and regulations of your region.



Symbol on the unit

| | |
|---|----------------|
|  | Direct current |
|---|----------------|

No part of this manual may be reproduced, stored in a retrieval system, or transmitted, in any form or by any means, electronic, mechanical, or otherwise, without the prior written permission of EIZO Corporation. EIZO Corporation is under no obligation to hold any submitted material or information confidential unless prior arrangements are made pursuant to EIZO Corporation's receipt of said information. Although every effort has been made to ensure that this manual provides up-to-date information, please note that EIZO product specifications are subject to change without notice.

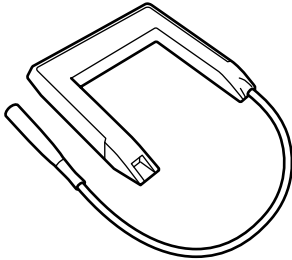
EIZO, the EIZO Logo and RadiForce are registered trademarks of EIZO Corporation in Japan and other countries.

RadiLight is a trademark of EIZO Corporation.

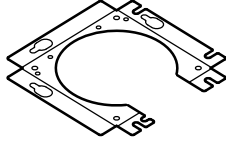
All other company names, product names, and logos are trademarks or registered trademarks of their respective owners.

Checking the Contents of the Package

Confirm that the following items are included in the package. If any items are missing or damaged, contact your local EIZO representative.



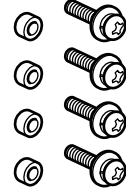
Lighting unit (main unit)



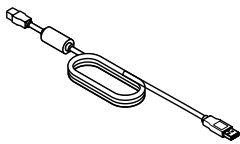
Mounting bracket



Bracket mounting bolts
(M3x8) x2



Spacers x4
Bracket mounting bolts
(M4x18) x4



Dedicated cable



User's Manual

Compatible Monitors

This product is compatible with EIZO RadiForce series monitors.

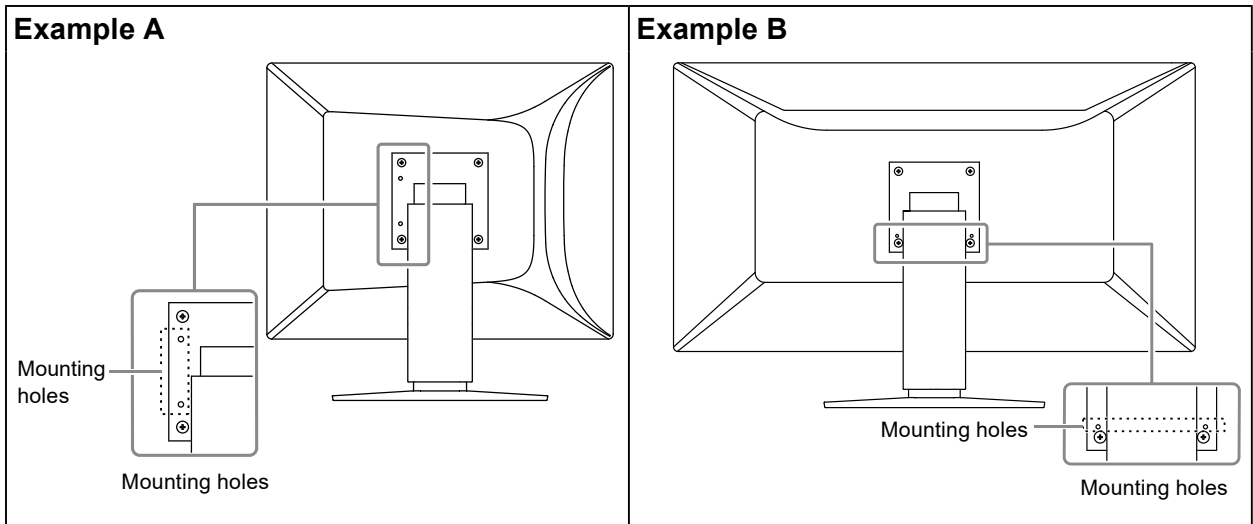
For detailed information about supported monitors, refer to the EIZO website. www.eizoglobal.com

Installation and Connection Procedures

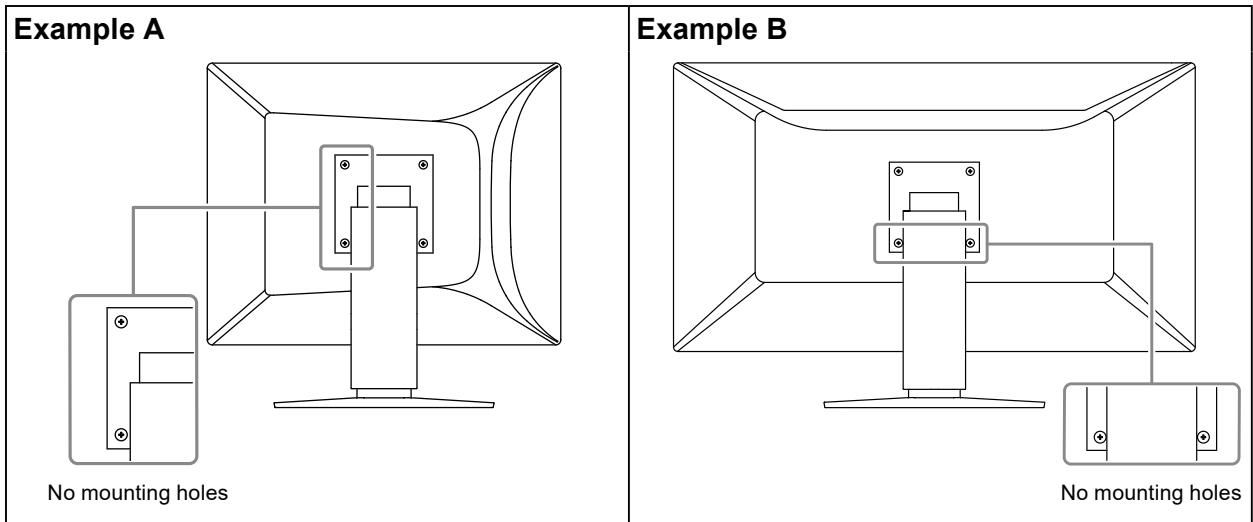
Mounting Holes for RadiLight

The installation process differs depending on whether there are mounting holes to install RadiLight. Check your monitor for the mounting holes.

Monitors with mounting holes for RadiLight



Monitors without mounting holes for RadiLight



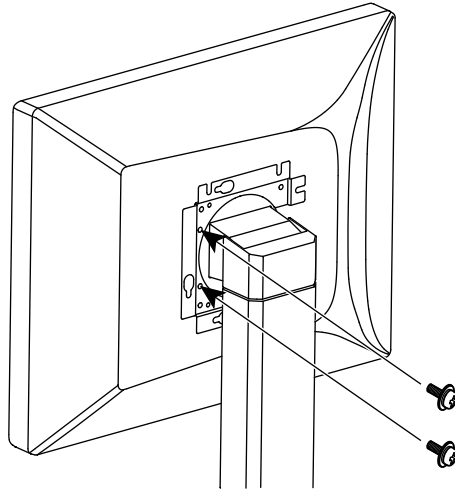
Attaching the Mounting Bracket to the LCD Monitor

Ensure that the monitor is powered off.

● Monitors with mounting holes for RadiLight

1. Align the holes of the mounting bracket with the holes of the monitor and stand. Fasten the bracket using the M3x8 screws (two locations).

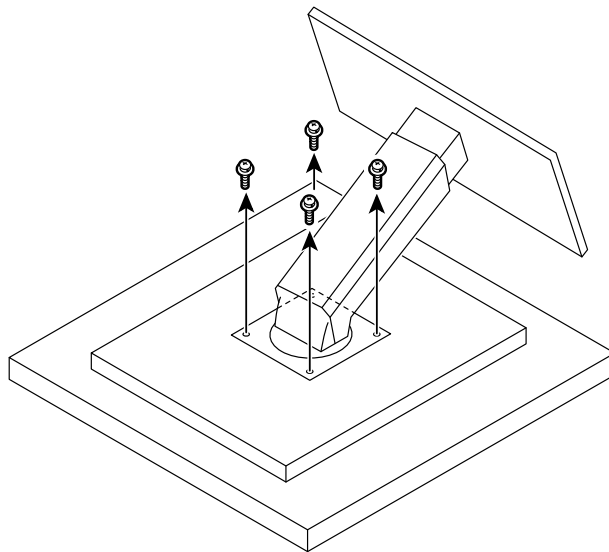
* Prepare a screwdriver.



● Monitors without mounting holes for RadiLight

1. Lay the LCD monitor on a soft cloth spread over a stable surface with the panel surface facing down.
2. Unscrew the screws (four) securing the monitor and the stand.

* Prepare a screwdriver.



3. Attach the mounting bracket.

For a monitor with an indented area of a size that fits the attachment part of the stand

1. Place the spacers over the screw holes (four locations) in the stand. (Figure 1)
2. Insert the bracket from the side of the stand, and turn the mounting bracket so that its open side faces the top of the monitor. (Figure 2)
3. Align the screw holes in the monitor, mounting bracket, and stand, and fix them using the supplied screws (M4x18) (four locations). (Figure 3)

Figure 1

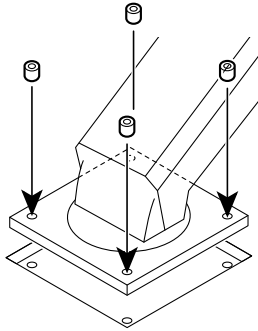


Figure 2

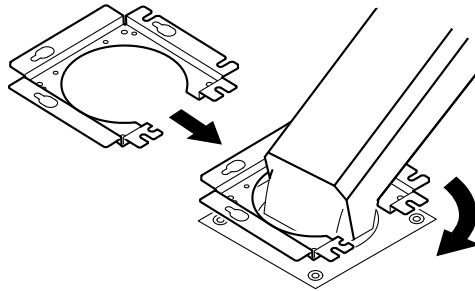
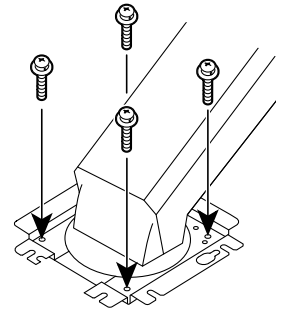


Figure 3



For a monitor on which the part to attach the stand to is flat or bulging

1. Place the mounting bracket so that its open side faces the top of the monitor. (Figure 1)
2. Align the screw holes in the monitor, mounting bracket, and stand, and fix them using the screws that have been removed (four locations). (Figure 2)

Figure 1

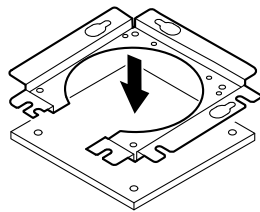
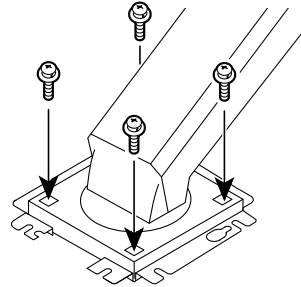


Figure 2

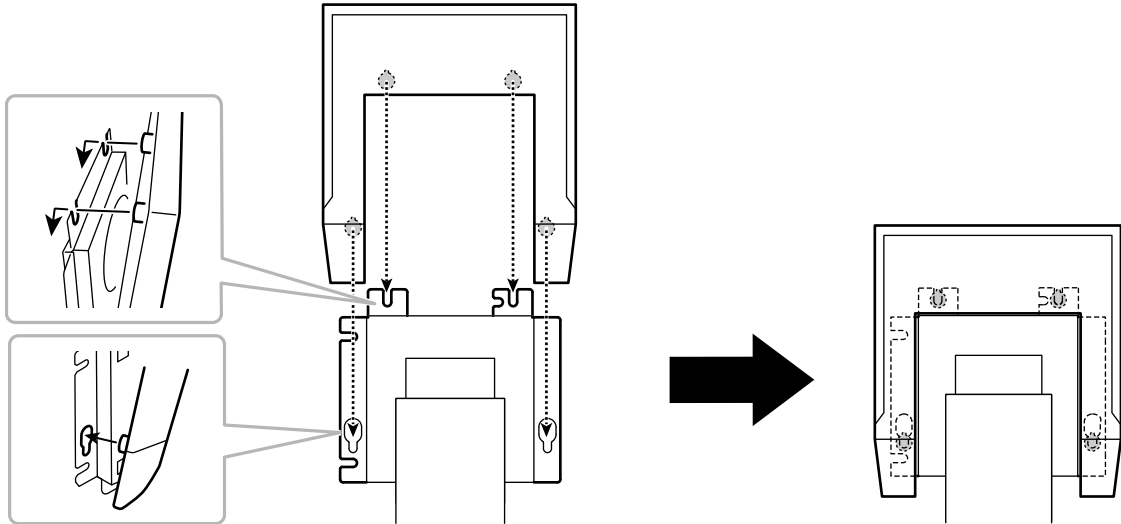


Attaching the Lighting Unit

1. Stand the monitor upright.

2. Attach the lighting unit to the mounting bracket.

Hook the protruding catches on the lighting unit to the holes in the mounting bracket (four locations). Slide the lighting unit down so that the catches securely position the lighting unit.



Note

- To remove the lighting unit, slide it straight up.

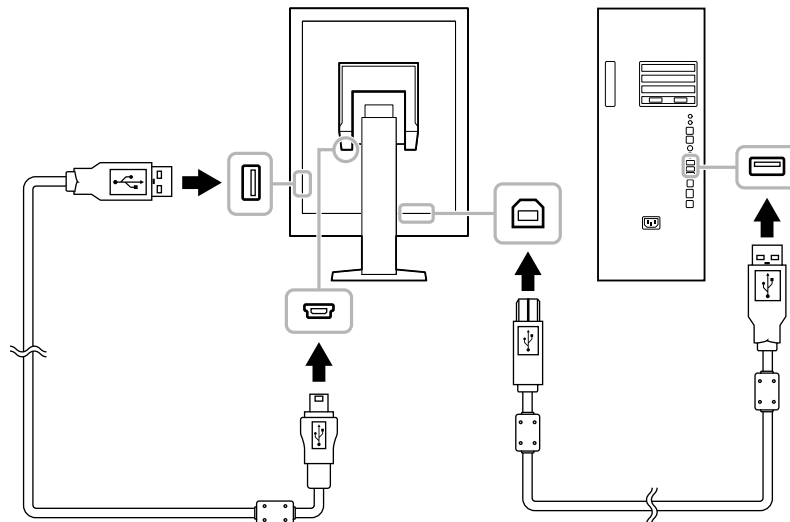
3. Connect the cable as follows.

RadiLight and monitor

Connecting cable: Dedicated cable

Monitor and PC

Connecting cable: USB cable

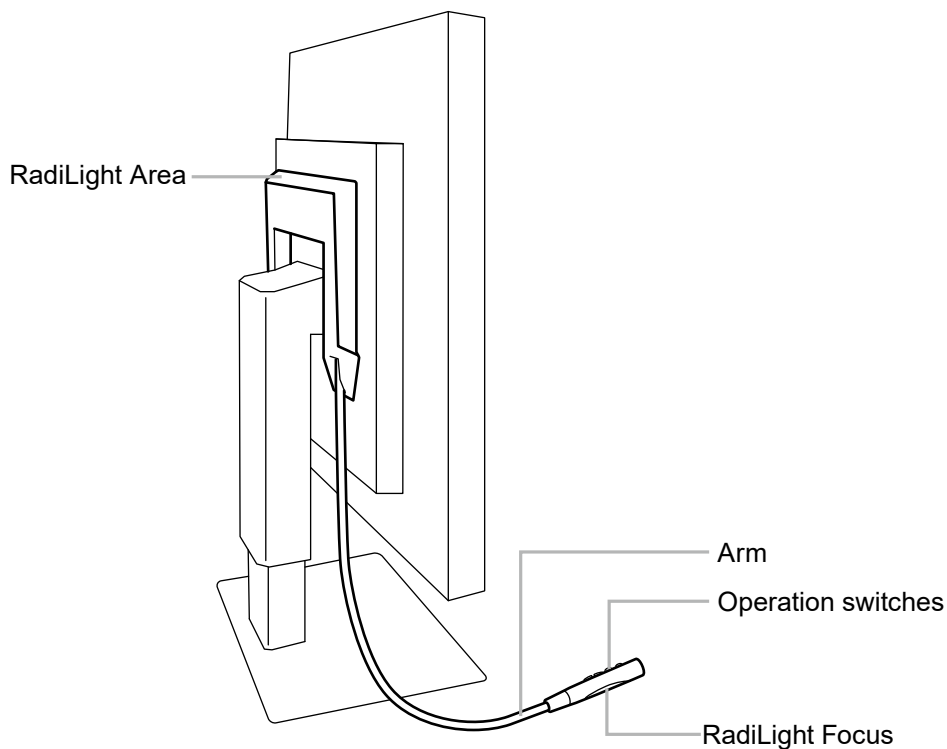


Attention

- If the cable is connected to a port other than the monitor USB port such as an AC adapter or PC USB port, you may encounter the following problematic symptoms. Ensure that you connect the cable to the monitor USB port.
 - Does not power on.
 - Malfunction occurs.
- Always use the dedicated cable to connect to the monitor.

Functions and Operations

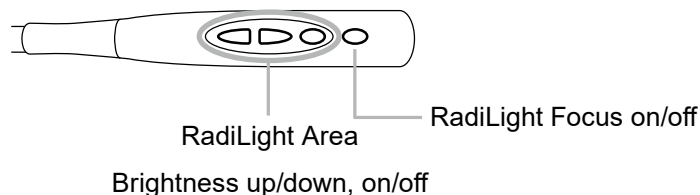
Name and functions of each part



- RadiLight Area: Indirectly lights up the room from behind the monitor.
- RadiLight Focus: Lights up the area around your hands and desk top.
- Arm: Adjusts the position of the operation switches and RadiLight Focus.
- Operation switches:
 - Turns RadiLight Area and RadiLight Focus on/off
 - Adjusts the brightness of RadiLight Area

Operating steps

- 1. Turn on the monitor and PC.**
- 2. The operation switches turn RadiLight Area and RadiLight Focus on/off. Adjusts the brightness of RadiLight Area.**



Attention

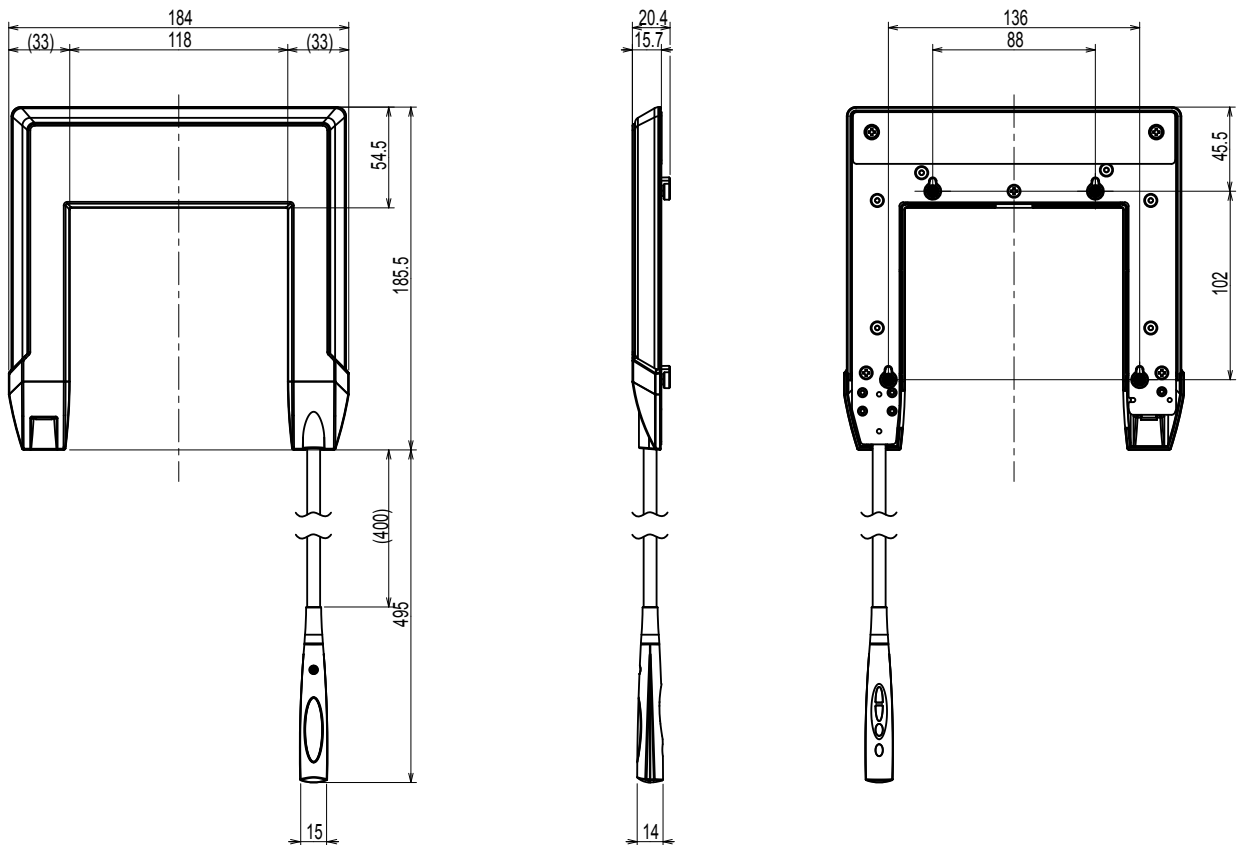
- The colors and brightness of LED lights are not consistent even among the products of the same model.
 - RadiLight Area may not sufficiently light up the room in the following environment.
 - If there is a relatively long distance between the product and the wall or ceiling
 - If the material used for the wall or ceiling is irreflexive or a dark color
-

Specifications

| | | |
|--|-----------------------|---|
| Interface | | Dedicated cable (supplied) |
| Voltage, current rating | | DC 5.0 V \pm 0.25 V (supplied from the USB port of the monitor), 500 mA |
| Power consumption (maximum) | | 2.5 W |
| Net Weight | | Approx. 370 g (Approx. 280 g: Excluding mounting bracket) |
| Dimensions | Back lighting | 184 mm (W) x 185.5 mm (H) x 15.7 mm (D) |
| | Lighting around hands | 15 mm (W) x 95 mm (H) x 14 mm (D) |
| Operating Environmental Requirements | Temperature | 0 - 35 °C |
| | Humidity | 20 % - 80 % (R.H., no condensation) |
| | Air pressure | 540 hPa - 1060 hPa |
| Transportation/ Storage Environmental Requirements | Temperature | -20 - 60 °C |
| | Humidity | 10 % - 90 % (R.H., no condensation) |
| | Air pressure | 200 hPa - 1060 hPa |

Outside Dimensions

Unit: mm



Cleaning

In order to ensure the product remains clean and maintains a comfortable lighting intensity, periodic cleaning is recommended. To clean the illumination component, it is recommended that you use a soft cloth dampened with a small amount of water, and wipe gently. When using agents, always use the agents that are listed in the following table.

Chemicals that may be used for cleaning

| Material name | Product name |
|--------------------------|--------------|
| Chlorhexidine | Hibitane |
| Sodium hypochlorite | Purelox |
| Benzalkonium chloride | Welpas |
| Alkyldiaminoethylglycine | Tego 51 |
| Glutaral | SteriHyde |
| Glutaral | Cidex Plus28 |

Attention

- Do not use chemicals on a frequent basis. Chemicals such as alcohol and antiseptic solution may cause gloss variation, tarnishing, and fading of the cabinet or panel, and also quality deterioration of the image.
- Never use any thinner, benzene, wax, and abrasive cleaner, which may damage the cabinet or panel.
- Do not let chemicals come into direct contact with this product.
- A different cleaning agent must be used to clean this product and the monitor. When cleaning the monitor, always refer to the User's Manual of the monitor to check which agent should be used.

Limited Warranty

EIZO Corporation (hereinafter referred to as “**EIZO**”) and distributors authorized by EIZO (hereinafter referred to as the “**Distributors**”) warrant, subject to and in accordance with the terms of this limited warranty (hereinafter referred to as the “**Warranty**”), to the original purchaser (hereinafter referred to as the “**Original Purchaser**”) who purchased the product specified in this document (hereinafter referred to as the “**Product**”) from EIZO or Distributors, that EIZO and Distributors shall, at their sole discretion, either repair or replace the Product at no charge if the Original Purchaser becomes aware within the Warranty Period (defined below) that the Product malfunctions or is damaged in the course of normal use of the Product in accordance with the description in the instruction manual of the Product (hereinafter referred to as the “**User’s Manual**”).

The period of this Warranty is three (3) years from the date of purchase of the Product (hereinafter referred to as the “**Warranty Period**”). EIZO and Distributors shall bear no liability or obligation with regard to the Product in relation to the Original Purchaser or any third parties other than as provided under this Warranty.

EIZO and Distributors will cease to hold or store any parts (excluding design parts) of the Product upon expiration of five (5) years after the production of the Product is discontinued. In repairing the Product, EIZO and Distributors will use renewal parts which comply with our QC standards. If the unit cannot be repaired due to its condition or the stockout of a relevant part, EIZO and Distributors may offer the replacement by a product with equivalent performance instead of repairing it.

The Warranty is valid only in the countries or territories where the Distributors are located. The Warranty does not restrict any legal rights of the Original Purchaser.

Notwithstanding any other provision of this Warranty, EIZO and Distributors shall have no obligation under this Warranty whatsoever in any of the cases as set forth below:

- (a) When the limited warranty is not submitted;
- (b) Any defect of the Product on which the original serial number has been altered or removed;
- (c) Any defect of the Product caused by freight damage, modification, alteration, abuse, misuse, accident, incorrect installation, disaster, faulty maintenance and/or improper repair by third party other than EIZO and Distributors;
- (d) Malfunction of or damage to the product caused during transportation or movement, or due to the product being dropped after purchase;
- (e) Malfunction of or damage to the product caused by external factors such as fire, earthquakes, floods, lightning strikes or other acts of providence, and environment disruption or abnormal voltage;
- (f) Malfunction of or damage to the product caused by the product having been installed in an environment where it may be subjected to excessive shaking or impact such as in a vehicle or vessel;
- (g) Aging-related degradation of lighting (change of brightness or colors);
- (h) Damage to, and discoloration and degradation of exterior components;
- (i) Any normal deterioration of the product, particularly that of consumables, accessories, and/or attachments (e.g. cables, User’s Manual, etc.); and
- (j) Any incompatibility of the Product due to possible technical innovations and/or regulations.

To obtain service under the Warranty, the Original Purchaser must deliver the Product, freight prepaid, in its original package or other adequate package affording an equal degree of protection, assuming the risk of damage and/or loss in transit, to the local Distributor. The Original Purchaser must present proof of purchase of the Product and the date of such purchase when requesting services under the Warranty.

The Warranty Period for any replaced and/or repaired product under this Warranty shall expire at the end of the original Warranty Period.

EIZO OR DISTRIBUTORS ARE NOT RESPONSIBLE FOR ANY DAMAGE TO, OR LOSS OF, DATA OR OTHER INFORMATION STORED IN ANY MEDIA OR ANY PART OF ANY PRODUCT RETURNED TO EIZO OR DISTRIBUTORS FOR REPAIR.

EIZO AND DISTRIBUTORS MAKE NO FURTHER WARRANTIES, EXPRESSED OR IMPLIED, WITH RESPECT TO, INCLUDING, WITHOUT LIMITATION, THE PRODUCT AND ITS QUALITY, PERFORMANCE, MERCHANTABILITY OR FITNESS FOR ANY PARTICULAR USE. IN NO EVENT SHALL EIZO OR DISTRIBUTORS BE LIABLE FOR ANY INCIDENTAL, INDIRECT, SPECIAL, CONSEQUENTIAL OR OTHER DAMAGE WHATSOEVER (INCLUDING, WITHOUT LIMITATION, DAMAGES FOR LOSS OF PROFIT, BUSINESS INTERRUPTION, LOSS OF BUSINESS INFORMATION, OR ANY OTHER PECUNIARY LOSS) ARISING OUT OF THE USE OR INABILITY TO USE THE PRODUCT OR IN ANY CONNECTION WITH THE PRODUCT, WHETHER BASED ON CONTRACT, TORT, NEGLIGENCE, STRICT LIABILITY OR OTHERWISE, EVEN IF EIZO OR DISTRIBUTORS HAVE BEEN ADVISED OF THE POSSIBILITY OF SUCH DAMAGES. THIS EXCLUSION ALSO INCLUDES ANY LIABILITY WHICH MAY ARISE OUT OF THIRD PARTY CLAIMS AGAINST THE ORIGINAL PURCHASER. THE ESSENCE OF THIS PROVISION IS TO LIMIT THE POTENTIAL LIABILITY OF EIZO AND DISTRIBUTORS ARISING OUT OF THIS LIMITED WARRANTY AND/OR SALES.

Appendix / Anhang / Annexe / Приложение

English

Deutsch

Français

Русский

Information for Radio Interference

FCC Declaration of Conformity

We, the Responsible Party

EIZO Inc.

5710 Warland Drive, Cypress, CA 90630

Phone: (562) 431-5011

declare that the product

Trade name: EIZO

Model: RadiLight

is in conformity with Part 15 of the FCC Rules. Operation of this product is subject to the following two conditions: (1) this device may not cause harmful interference, and (2) this device must accept any interference received, including interference that may cause undesired operation.

This equipment has been tested and found to comply with the limits for a Class B digital device, pursuant to Part 15 of the FCC Rules. These limits are designed to provide reasonable protection against harmful interference in a residential installation. This equipment generates, uses, and can radiate radio frequency energy and, if not installed and used in accordance with the instructions, may cause harmful interference to radio communications. However, there is no guarantee that interference will not occur in a particular installation. If this equipment does cause harmful interference to radio or television reception, which can be determined by turning the equipment off and on, the user is encouraged to try to correct the interference by one or more of the following measures.

- * Reorient or relocate the receiving antenna.
- * Increase the separation between the equipment and receiver.
- * Connect the equipment into an outlet on a circuit different from that to which the receiver is connected.
- * Consult the dealer or an experienced radio/TV technician for help.

Changes or modifications not expressly approved by the party responsible for compliance could void the user's authority to operate the equipment.

Note

Use the attached specified cable below with this product so as to keep interference within the limits of a Class B digital device.

- Shielded Signal Cable (enclosed)

Canadian Notice

This Class B digital apparatus complies with Canadian ICES-003.

Cet appareil numérique de la classe B est conforme à la norme NMB-003 du Canada.

Recycling Information / Informationen zum Thema Recycling / Informations sur le recyclage / Сведения по утилизации

Recycling Information

This product, when disposed of, is supposed to be collected and recycled according to your country's legislation to reduce environmental burden. When you dispose of this product, please contact a distributor or an affiliate in your country.

The contact addressees are listed on the EIZO website below.

www.eizoglobal.com

For recycling information for customers in Switzerland, please refer to the following website.

www.swico.ch

Informationen zum Thema Recycling

Dieses Produkt muss gemäß den Vorschriften Ihres Landes zur Entlastung der Umwelt recyclet werden. Wenden Sie sich bei der Entsorgung dieses Produkts an einen Verteiler oder eine Tochtergesellschaft in Ihrem Land.

Die Adressen zur Kontaktaufnahme sind auf der unten angegebenen Website von EIZO aufgeführt.

www.eizoglobal.com

Kunden in der Schweiz entnehmen Informationen zum Recycling der folgenden Website:

www.swico.ch

Informations sur le recyclage

Ce produit doit être jeté aux points de collecte prévus à cet effet et recyclé conformément à la législation de votre pays, afin de réduire l'impact sur l'environnement. Lorsque vous jetez ce produit, veuillez contacter un distributeur ou une société affiliée de votre pays.

Les adresses des distributeurs sont répertoriées sur le site Web EIZO ci-dessous.

www.eizoglobal.com

Pour les clients en Suisse, veuillez consulter le site Web suivant afin d'obtenir des informations sur le recyclage.

www.swico.ch

Información sobre reciclaje

Este producto debe desecharse y reciclarse según la legislación del país para reducir el impacto medioambiental.

Cuando desee deshacerse de este producto, póngase en contacto con un distribuidor o una filial de su país.

Encontrará las direcciones de contacto en el sitio web de EIZO que se indica a continuación.

www.eizoglobal.com

Informazioni sul riciclaggio

Per lo smaltimento e il riciclaggio del presente prodotto, attenersi alle normative vigenti nel proprio paese per ridurre l'impatto ambientale. Per lo smaltimento, rivolgersi ad un distributore o un affiliato presenti nel proprio paese.

Gli indirizzi sono elencati nel sito Web EIZO riportato di seguito.

www.eizoglobal.com

Per informazioni sul riciclaggio per i clienti in Svizzera, consultare il sito Web riportato di seguito.

www.swico.ch

Återvinningsinformation

När denna produkt kasseras ska den hanteras och återvinnas enligt landets föreskrifter för att reducera miljöpåverkan.

När du kasserar produkten ska du kontakta en distributör eller representant i ditt land.

Kontaktadresserna listas på EIZO-webbplatsen nedan.

www.eizoglobal.com

Πληροφορίες ανακύκλωσης

Το προϊόν αυτό, όταν απορρίπτεται, πρέπει να συλλέγεται και να ανακυκλώνεται σύμφωνα με τη νομοθεσία της χώρας σας έτσι ώστε να μην επιβαρύνει το περιβάλλον. Για να απορρίψετε το προϊόν, επικοινωνήστε με έναν αντιπρόσωπο ή μια θυγατρική εταιρεία στη χώρα σας.

Οι διευθύνσεις επικοινωνίας αναγράφονται στην τοποθεσία web της EIZO παρακάτω.

www.eizoglobal.com

Сведения по утилизации

По истечении срока службы данного продукта его следует принести на сборный пункт и утилизировать в соответствии с действующими предписаниями в вашей стране, чтобы уменьшить вредное воздействие на окружающую среду. Прежде чем выбросить данный продукт, обратитесь к дистрибьютору или в местное представительство компании в вашей стране.

Контактные адреса можно найти на веб-узле EIZO.

www.eizoglobal.com

Informatie over recycling

Wanneer u dit product wilt weggoien, moet het uit milieu-overwegingen worden verzameld en gerecycled volgens de betreffende wetgeving van uw land. Wanneer u dit product wilt weggoien, moet u contact opnemen met een distributeur of een partner in uw land.

De contactadressen worden vermeld op de volgende EIZO-website.

www.eizoglobal.com

Informação sobre reciclagem

Este produto, quando o deitar fora, deve ser recolhido e reciclado de acordo com a legislação do seu país para reduzir a poluição. Quando deitar fora este produto, contacte um distribuidor ou uma filial no seu país.

Os endereços de contacto estão listados no website do EIZO, abaixo.

www.eizoglobal.com

Oplysninger om genbrug

Denne produkt forventes ved bortskaffelse at blive indsamlet og genbrugt i overensstemmelse med lovgivningen i dit land for at reducere belastningen af miljøet. Når du bortskaffer denne produkt, skal du kontakte en distributør eller et tilknyttet selskab i dit land.

Adresserne på kontaktpersonerne er angivet på EIZO's websted nedenfor.

www.eizoglobal.com

Kierrätystä koskevia tietoja

Tuote tulee hävittää kierrättämällä maan lainsäädännön mukaisesti ympäristön kuormittumisen vähentämiseksi. Kun hävität tuotteen, ota yhteyttä jälleenmyyjään tai tytäryhtiöön maassasi.

Yhteystiedot löytyvät EIZOn Internet-sivustolta.

www.eizoglobal.com

Wykorzystanie surowców wtórnych

Ten produkt po zużyciu powinien być zbierany i przetwarzany zgodnie z krajowymi przepisami dotyczącymi ochrony środowiska. Wyrzucając ten produkt, należy skontaktować się z lokalnym dystrybutorem lub partnerem.

Adresy kontaktowe można znaleźć we wskazanej poniżej witrynie internetowej firmy EIZO.

www.eizoglobal.com

Informace o recyklaci

Při likvidaci produktu musí být produkt vyzvednut a recyklován podle zákonů příslušné země, aby nedocházelo k zatěžování životního prostředí. Zbavujete-li se produktu, kontaktujte distributora nebo pobočku ve své zemi.

Kontaktní adresy jsou uvedeny na následující webové stránce společnosti EIZO.

www.eizoglobal.com

Ringlussevõtu alane teave

Keskkonnakoormuse vähendamiseks tuleks kasutatud tooted kokku koguda ja võtta ringlusse vastavalt teie riigi seadustele. Kui kõrvaldate käesoleva toote, võtke palun ühendust turustaja või filiaaliga oma riigis.

Kontaktisikud on toodud EIZO veebilehel järgmisel aadressil:

www.eizoglobal.com

Újrahasznosítási információ

Jelen terméket, amikor eldobjuk, az illető ország törvényei alapján kell összegyűjteni és újrahasznosítani, hogy csökkentjük a környezet terhelését. Amikor ezt a terméket eldobja, kérjük lépjen kapcsolatba egy országon belüli forgalmazóval vagy társvállalkozással.

A kapcsolat címei az EIZO alábbi weboldalán található felsorolva:

www.eizoglobal.com

Podatki o recikliranju

Ob koncu uporabe odslužen izdelek izročite na zbirno mesto za recikliranje v skladu z okoljevarstveno zakonodajo vaše države. Prosimo, da se pri odstranjevanju izdelka obrnete na lokalnega distributerja ali podružnico.

Kontaktne naslovi so objavljeni na spodaj navedenih spletnih straneh EIZO:

www.eizoglobal.com

Informácie o recyklácii

Pri likvidácii musí byť tento výrobok recyklovaný v súlade s legislatívou vašej krajiny, aby sa znížilo zaťaženie životného prostredia. Keď sa chcete zbaviť tohto výrobku, kontaktujte prosím distribútora alebo pobočku vo vašej krajine.

Zoznam kontaktných adries je uvedený na nasledovnej webovej stránke firmy EIZO:

www.eizoglobal.com

Pārstrādes informācija

Utilizējot šo produktu, tā savākšana un pārstrāde veicama atbilstoši jūsu valsts likumdošanas prasībām attiecībā uz slodzes uz vidi samazināšanu. Lai veiktu šī produkta utilizāciju, sazinieties ar izplatītāju vai pārstāvniecību jūsu valstī.

Kontaktadreses ir norādītas zemāk minētajā EIZO tīmekļa vietnē.

www.eizoglobal.com

Informacija apie gražinamąjį perdirbimą

Šalinant (išmetant) šiuos gaminius juos reikia surinkti ir perdirbti gražinamuoju būdu pagal jūsų šalies teisės aktus, siekiant sumažinti aplinkos teršimą. Kai reikia išmesti šį gaminį, kreipkitės į jūsų šalyje veikiančią gaminių pardavimo atstovybę arba jos filialą.

Kontaktiniai adresatai nurodyti EIZO interneto svetainėje.

www.eizoglobal.com

Информация относительно рециклиране

При изхвърлянето на този продукт се предлага събирането и рециклирането му съобразно законите на вашата страна за да се намали замърсяването на околната среда. Когато искате да се освободите от този продукт, моля свържете се с търговския му представител или със съответните органи отговарящи за това във вашата страна.

Данните за връзка с нас са описани на следния Интернет сайт на EIZO:

www.eizoglobal.com

Informație referitoare la reciclare

Acest produs, când debarasat, trebuie colectat și reciclat conform legislației țării respective ca să reducem sarcina mediului. Când se debarasează de acest produs, vă rugăm să contactați un distribuitor sau un afiliat al țării respective.

Adresele de contact le găsiți pe pagina de web al EIZO:

www.eizoglobal.com

معلومات عن اعادة التدوير

عند التخلص من هذا المنتج، من الضروري تجميعه واعادة تدويره وفقاً للقوانين المتبعة في بلدك لتقليل العبء المسلط على البيئة. عندما تتخلص من هذا المنتج، يرجى الاتصال بموزع أو طرف منتسب إليه في بلدك. عناوين الاتصال مدرجة في موقع ايزو EIZO ادناه على شبكة الانترنت.

www.eizoglobal.com

Gerü Dönüřüm Bilgisi

Bu ürünün, atılacağı zaman, ülkenizin çevre kirliliğinin azaltılması konusundaki mevzuatına göre toplanması ve yeniden değerlendirilmesi gerekmektedir. Ürünü atacağınız zaman lütfen ülkenizdeki bir distribütör veya ilgili kuruluşla temasa geçiniz.

İrtibat adresleri aşağıdaki EIZO web sitesinde verilmiştir.

www.eizoglobal.com



EIZO Corporation

153 Shimokashiwano, Hakusan, Ishikawa 924-8566 Japan

EC REP

EIZO GmbH

Carl-Benz-Straße 3, 76761 Rülzheim, Germany

艺卓显像技术(苏州)有限公司

中国苏州市苏州工业园区展业路 8 号中新科技工业坊 5B

www.eizoglobal.com

Copyright © 2021 EIZO Corporation. All rights reserved.

00N0N231A1
IFU-RADILIGHTC-AL

1st Edition - February, 2021 Printed in Japan.