

# Instructions for Use

## RadiForce® RX650

Color LCD monitor

### **Important**









Please read this “Instructions for Use”, and “Installation Manual” (separate volume) carefully to familiarize yourself with safe and effective usage.

Please retain this manual for future reference.

- 
- For monitor adjustment and settings, refer to the “Installation Manual”.
  - For the latest product information including the “Instructions for Use”, refer to our web site :  
<http://www.eizoglobal.com>
-

# SAFETY SYMBOLS

This manual and this product use the safety symbols below. They denote critical information. Please read them carefully.

 <p><b>WARNING</b> Failure to abide by the information in a WARNING may result in serious injury and can be life threatening.</p>	 <p><b>CAUTION</b> Failure to abide by the information in a CAUTION may result in moderate injury and/or property or product damage.</p>
	<p>Indicates a warning or caution. For example,  indicates an “electrical shock” hazard.</p>
	<p>Indicates a prohibited action. For example,  means “Do not disassemble”.</p>
	<p>Indicates a mandatory action. For example,  means “Ground the unit”.</p>

This product has been adjusted specifically for use in the region to which it was originally shipped. If operated outside this region, the product may not perform as stated in the specifications.

---

No part of this manual may be reproduced, stored in a retrieval system, or transmitted, in any form or by any means, electronic, mechanical, or otherwise, without the prior written permission of EIZO Corporation. EIZO Corporation is under no obligation to hold any submitted material or information confidential unless prior arrangements are made pursuant to EIZO Corporation’s receipt of said information. Although every effort has been made to ensure that this manual provides up-to-date information, please note that EIZO monitor specifications are subject to change without notice.

---

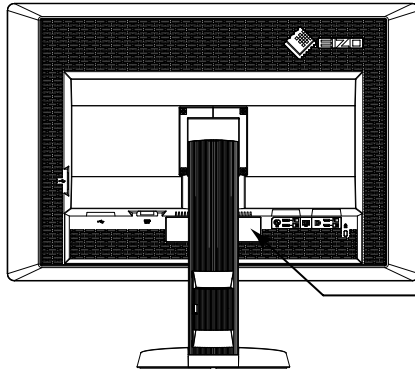
# PRECAUTIONS

## ● IMPORTANT

- This product has been adjusted specifically for use in the region to which it was originally shipped. If the product is used outside the region, it may not operate as specified in the specifications.
- For personal safety and proper maintenance, please read carefully this section and the caution statements on the monitor.

## Location of the caution statements

### Monitor



**WARNING**  
RISK OF ELECTRIC SHOCK. DO NOT OPEN.

**AVERTISSEMENT**  
RISQUE DE CHOC ELECTRIQUE. NE PAS OUVRIR.

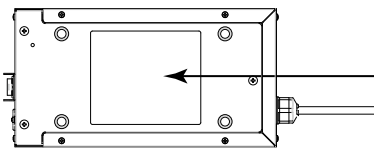
**WARNUNG**  
GEFAHR DES ELEKTRISCHEN SCHLAGES. RÜCKWAND NICHT ENTFERNEN.

**警告**  
触电危险，请勿打开后盖。

**警告**  
感電の恐れあり、カバーをあげないでください。

AC/DC Adapter Model: PSA-073  
交流/直流 适配器 型号: PSA-073

### AC adapter



**CAUTION:** RISK OF ELECTRIC SHOCK, DO NOT OPEN. DOUBLE POLE, NEUTRAL FUSING.

**ATTENTION:** RISQUE DE CHOC ELECTRIQUE. NE PAS OUVRIR. DOUBLE POLE, FUSIBLE SUR LE NEUTRE.

**ACHTUNG:** GEFAHR DES ELEKTRISCHEN SCHLAGES. RÜCKWAND NICHT ENTFERNEN. ZWEPOLIGE BZW. NEUTRALLEITER-SICHERUNG.

**注意:** 有触电的危险。请勿打开。双极/中线熔断。

**注意:** 高壓注意 非专业人员請勿打開機殼 內部有多處高壓部分 觸一觸機會有危險 雙極/中線熔斷

**注意:** 高圧注意。感電の恐れあり、カバーをあげないでください。  
2極/中性点ヒューズ。

The equipment must be connected to a grounded main outlet. Jordet stikkontakt skal benyttes når apparatet tilkobles datanett. Apparaten skall anslutas till jordat nätuttag. 這設備必須連接至接地主插座。電源コードのアースは必ず接地してください。

## Symbols on the unit

Symbol	This symbol indicates	
	AC adapter main power switch:	Press to turn the monitor's main power off.
	AC adapter main power switch:	Press to turn the monitor's main power on.
	Power switch:	Touch to turn the monitor's power on or off.
	Alternating current	
	Direct current	
	Electrical shock hazard	
	CAUTION:	Refer to "SAFETY SYMBOLS" (page 2).
	WEEE marking:	Product must be disposed of separately; materials may be recycled.
	CE marking:	EU conformity mark in accordance with the provisions of Council Directive 93/42/EEC and 2011/65EU.
	Manufacturer	
	Date of manufacture	

## **WARNING**

---

**If the unit begins to emit smoke, smells like something is burning, or makes strange noises, disconnect all power connections immediately and contact your EIZO representative for advice.**  
Attempting to use a malfunctioning unit may result in fire, electric shock, or equipment damage.

---

**Do not open the cabinet or modify the unit.**

Opening the cabinet or modifying the unit may result in fire, electric shock, or burn.



**Do not turn the bushing for fixing the AC adapter power cable.**

Not doing so may result in fire, electric shock, or equipment damage.



**Refer all servicing to qualified service personnel.**

Do not attempt to service this product yourself as opening or removing covers may result in fire, electric shock, or equipment damage.

---

**Keep small objects or liquids away from the unit.**

Small objects accidentally falling through the ventilation slots into the cabinet or spillage into the cabinet may result in fire, electric shock, or equipment damage. If an object or liquid falls/spills into the cabinet, unplug the unit immediately. Have the unit checked by a qualified service engineer before using it again.



**Place the unit at the strong and stable place.**

A unit placed on an inadequate surface may fall and result in injury or equipment damage. If the unit falls, disconnect the power immediately and ask your local EIZO representative for advice. Do not continue using a damaged unit. Using a damaged unit may result in fire or electric shock.



**Use the unit in an appropriate location.**

Not doing so may result in fire, electric shock, or equipment damage..

- Do not place outdoors.
- Do not place in the transportation system (ship, aircraft, trains, automobiles, etc.)
- Do not place in a dusty or humid environment.
- Do not place in a location where water is splashed on the screen (bathroom, kitchen, etc.).
- Do not place in a location where the steam comes directly on the screen.
- Do not place near heat generating devices or a humidifier.
- Do not place in a location where the product is subject to direct sunlight.
- Do not place in an inflammable gas environment.
- Do not place in environments with corrosive gases (such as sulfur dioxide, hydrogen sulfide, nitrogen dioxide, chlorine, ammonia, and ozone).
- Do not place in environments with dust, components that accelerate corrosion in the atmosphere (such as sodium chloride and sulfur), conductive metals, and so on.



**To avoid danger of suffocation, keep plastic packing bags away from babies and children.**

---

**Use the enclosed AC adapter.**

The enclosed AC adapter (PSA-073) is for use with this product only. Do not use the AC adapter with other equipment. Connecting to power sources that do not match the power ratings of the AC adapter may result in fire or electric shock.

---

**Use the enclosed power cord and connect to the standard power outlet of your country.**

Be sure to remain within the rated voltage of the power cord. Not doing so may result in fire or electric shock.  
Power supply: 100-120/200-240Vac 50/60Hz

---

## WARNING

**To disconnect the power cord or adapter power cable, grasp the plug firmly and pull.**

Tugging on the cord or cable may damage and result in fire or electric shock.



**The equipment must be connected to a grounded main outlet.**

Failure to do so may result in fire or electric shock.



**Use the correct voltage.**

- The unit is designed for use with a specific voltage only. Connection to another voltage than specified in this manual may cause fire, electric shock, or equipment damage.  
Power supply: 100-120/200-240Vac 50/60Hz
- Do not overload your power circuit, as this may result in fire or electric shock.

**Handle the power cord and AC adapter with care.**

Handle the power cord and AC adapter with care.

Do not place heavy objects on, pull or tie the power cord or the AC adapter. Using a damaged cord or AC adapter may result in fire or electric shock.



**For electrical safety, do not connect or disconnect the power cord in the presence of patients.**

**Never touch the plug, AC adapter or power cord during a thunderstorm.**

Touching them may result in electric shock.



**When attaching an arm stand, please refer to the user's manual of the arm stand and install the unit securely.**

Not doing so may cause the unit to become unattached, which may result in injury or equipment damage.

Before installation, make sure that desks, walls, and others an arm stand is fixed on have adequate mechanical strength. When the unit is dropped, please ask your local EIZO representative for advice. Do not continue using a damaged unit. Using a damaged unit may result in fire or electric shock. When reattaching the tilt stand, please use the same screws and tighten them securely.

**Do not touch a damaged LCD panel directly with bare hands.**

The liquid crystal that may leak from the panel is poisonous if it enters the eyes or mouth. If any part of the skin or body comes in direct contact with the panel, please wash thoroughly. If some physical symptoms result, please consult your doctor.



**Fluorescent backlight lamps contain mercury (products that have LED backlight lamps contain no mercury), dispose according to local, state or federal laws.**

Exposure to elemental mercury can result in effects on the nervous system, including tremor, memory loss, and headache.

## CAUTION

---

### Handle with care when carrying the unit.

Disconnect the power cord and cables when moving the unit. Moving the unit with the cord attached is dangerous.

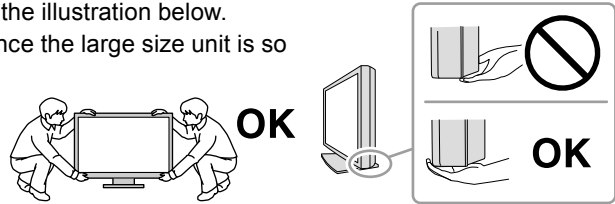
It may result in injury.

---

### Carry or place the unit according to the correct specified methods.

- When carrying the unit, grasp and hold firmly as shown in the illustration below.
- Do not unpack or carry the unit only by a single person, since the large size unit is so heavy.

Dropping the unit may result in injury or equipment damage.



---

### Do not block the ventilation slots on the cabinet.

- Do not place any objects on the ventilation slots.
- Do not install the unit in a closed space.
- Do not use the unit laid down or upside down.

Blocking the ventilation slots prevents proper airflow and may result in fire, electric shock, or equipment damage.



---

### Do not touch the plug or AC adapter with wet hands.

Doing so may result in electrical shock.



---

### Use an easily accessible power outlet.

This will ensure that you can disconnect the power quickly in case of a problem.

---

### Mind that the AC adapter becomes hot during use.

- Do not cover or place anything on top of the AC adapter. Do not place the AC adapter on top of things that trap heat such as carpets, blankets, etc. Keep the AC adapter away from direct sunlight and heat sources such as heaters. Not doing so may result in fire.
- Do not touch with bare hands. Doing so may result in burns.
- Before moving the monitor, be sure to turn off the power switch, disconnect the power plug from the power outlet, and wait until it has cooled completely.

---

### Do not suspend the AC adapter in midair.

Using it while suspended in midair may result in fire or electric shock.



---

### Periodically clean the area around the power plug and the ventilation slot of the monitor and the AC adapter.

Dust, water, or oil on the plug may result in fire.

---

### Unplug the unit before cleaning it.

Cleaning the unit while it is plugged into a power outlet may result in electric shock.

---

### If you plan to leave the unit unused for an extended period, disconnect the power cord from the wall socket after turning off the power switch for the safety and the power conservation.

---

**This product is only suitable for a patient environment, but not for contact with a patient.**

---

# Notice for this monitor

---

This product is intended to be used in displaying and viewing digital images for review and analysis by trained medical practitioners. It does not support the display of mammography images for diagnosis.

**Caution:** Federal law (USA) restricts this device to sale by or on the order of a physician.

---

This product should be set to horizontal view mode when used for the purposes mentioned above.

---

This product has been adjusted specifically for use in the region to which it was originally shipped. If the product is used outside the region, it may not operate as specified in the specifications.

---

This product may not be covered by warranty for uses other than those described in this manual.

---

The specifications noted in this manual are only applicable when the following are used:

- Power cords provided with the product
  - Signal cables specified by us
- 

Only use optional products manufactured or specified by us with this product.

---

As it takes about 30 minutes for the performance of electrical parts to stabilize, adjust the monitor 30 minutes or more after the monitor power has been turned on or the monitor has recovered from the power saving mode.

---

Monitors should be set to a lower brightness to reduce changes in luminosity caused by long-term use and maintain a stable display. In addition, perform a calibration and Constancy test (including Grayscale Check) on a periodic basis (refer to “Controlling Monitor Quality” in the Installation Manual).

---

When the screen image is changed after displaying the same image for extended periods of time, an afterimage may appear. Use the screen saver or power save function to avoid displaying the same image for extended periods of time.

---

If you place this product on a lacquer-coated desk, the color may adhere to the bottom of the stand due to the composition of the rubber. Check the desk surface before use.

---

Periodic cleaning is recommended to keep the monitor looking new and to prolong its operation lifetime (refer to “Cleaning” (page 8)).

---

The screen may have defective pixels or a small number of light dots on the screen. This is due to the characteristics of the panel itself, and is not a malfunction of the product.

---

The backlight of the LCD panel has a fixed lifetime. When the screen becomes dark or begins to flicker, please contact your local EIZO representative.

---

Do not press on the panel or edge of the frame strongly, as this may result in display malfunctions, such as interference patterns, etc. If pressure is continually applied to the panel, it may deteriorate or damage your panel. (If the pressure marks remain on the panel, leave the monitor with a black or white screen. The symptom may disappear.)

---

Do not scratch or press on the panel with any sharp objects, as this may result in damage to the panel. Do not attempt to brush with tissues as this may scratch the panel.

---

---

When the monitor is cold and brought into a room or the room temperature goes up quickly, dew condensation may occur on the interior and exterior surfaces of the monitor. In that case, do not turn the monitor on. Instead wait until the dew condensation disappears, otherwise it may cause some damage to the monitor.

---

## Cleaning

---

### Attention

- Chemicals such as alcohol and antiseptic solution may cause gloss variation, tarnishing, and fading of the cabinet or panel, and also quality deterioration of the image.
- Never use any thinner, benzene, wax, and abrasive cleaner, which may damage the cabinet or panel.

### Note

- The optional ScreenCleaner is recommended for cleaning the cabinet and panel surface.

If necessary, the stains on the cabinet and panel surface can be removed by moistening part of a soft cloth with water.

### Chemicals that may be used for cleaning

Material name	Product name
Ethanol	Ethanol
Isopropyl alcohol	Isopropyl alcohol
Chlorhexidine	Hibitane
Benzalkonium chloride	Welpas
Alkyldiaminoethylglycine	Tego 51
Glutaral	SteriHyde
Glutaral	Cidex Plus28

## To use the monitor comfortably

---

- An excessively dark or bright screen may affect your eyes. Adjust the brightness of the monitor according to the environmental conditions.
- Staring at the monitor for a long time tires your eyes. Take a 10-minute rest every hour.



# CONTENTS

<b>PRECAUTIONS</b> .....	<b>3</b>
● IMPORTANT .....	3
<b>Notice for this monitor</b> .....	<b>7</b>
Cleaning .....	8
To use the monitor comfortably .....	8
<b>CONTENTS</b> .....	<b>9</b>
<b>Chapter 1 Introduction</b> .....	<b>10</b>
1-1. Features .....	10
1-2. Package Contents .....	11
1-3. EIZO LCD Utility Disk .....	11
● Disk contents and software overview .....	11
● Using RadiCS LE/ScreenManager Pro for Medical .....	11
1-4. Controls and Functions .....	12
<b>Chapter 2 Setting Up</b> .....	<b>13</b>
2-1. Compatible Resolutions .....	13
2-2. Connecting Cables .....	14
2-3. Adjusting the Screen Height and Angle .....	15
2-4. Attaching a Power Cord Holder .....	16
<b>Chapter 3 Troubleshooting</b> .....	<b>17</b>
● Error code table .....	18
<b>Chapter 4 Specifications</b> .....	<b>19</b>
<b>Chapter 5 Glossary</b> .....	<b>22</b>
<b>Appendix</b> .....	<b>24</b>
Trademark .....	24
License .....	24
Medical Standard .....	25
FCC Declaration of Conformity .....	26
EMC Information .....	27

# Chapter 1 Introduction

Thank you very much for choosing an EIZO color LCD monitor.

## 1-1. Features

- 30.0 inches
- Supports to the resolution of 6M pixels (3280 × 2048 dots)
- Uses high-contrast panel (1000:1).  
Enables the display of sharp images.
- Applicable to DisplayPort (applicable to 8 bit or 10 bit, not applicable to audio signals)
- The “PbyP (Picture by Picture)” function enables the display of two signals at the same time.  
A bezel-less widescreen offers less strain on the eyes and higher work efficiency compared to having two monitors side by side.
- The Hybrid Gamma function automatically identifies the display area for the monochrome and color images on the same screen, and displays each set status.  
\*1 The identification may fail depending on the displayed image. The software to be used needs to be verified. For validation, refer to the Installation Manual (on the CD-ROM).
- The RadiCS SelfQC function and the built-in Integrated Front Sensor allow the user to perform the calibration and Grayscale Check for the monitor independently.  
Refer to the Installation Manual (on the CD-ROM).
- The CAL Switch function allows the user to select the display mode optimum to the displayed image.  
Refer to the Installation Manual (on the CD-ROM).
- Selectable DICOM (page 22) Part 14 complied screen.
- The quality control software “RadiCS LE” used to calibrate the monitor and to manage the history is included.  
See “1-3. EIZO LCD Utility Disk” (page 11).
- The software “ScreenManager Pro for Medical” to adjust the screen using the mouse and keyboard is included  
See “1-3. EIZO LCD Utility Disk” (page 11).
- Power saving function  
This product is equipped with power saving function.
  - 0 W power consumption when the main power is off  
Equipped with main power switch.  
When the monitor is not required, the power supply can be shut off using the main power switch
  - Presence Sensor  
The sensor on the front side of the monitor detects the movement of a person. When a person moves away from the monitor, the monitor shifts to the power saving mode automatically and does not display the images on the screen. Therefore, the function reduces the power consumption. The sensitivity and time until the power saving mode is activated can be set according to the monitor usage environment and movement of the user.  
Refer to the Installation Manual (on the CD-ROM).
- Space-saving thinner and lighter design
- Long service life LED backlight LCD panel
- Built-in ambient light sensor  
Depending on the environment, the sensor sometimes indicates different values from those measured by a stand-alone illuminance meter.  
The usage of this sensor requires the quality control software “RadiCS/RadiCS LE” and the measurement is always triggered by the user’s operation in the corresponding menu.  
For further details about the measured value and how to execute the measurement, refer to the RadiCS/ RadiCS LE User’s Manual (on the CD-ROM).
- Displays HDCP (High-bandwidth Digital Content Protection) protected contents (DisplayPort only).

**Attention**

- A high temperature or high humidity environment may affect the measurement accuracy of the integrated front sensor. We suggest storing and using the monitor under the following conditions.
  - Temperature 30°C or less
  - Humidity 70% or less
- Avoid storing or using the sensor where it may be exposed to direct sunlight.

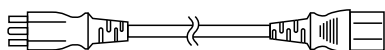
## 1-2. Package Contents

Check that all the following items are included in the packaging box. If any items are missing or damaged, contact your local EIZO representative.

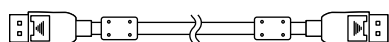
**Note**

- Please keep the packaging box and materials for future movement or transport of the monitor.

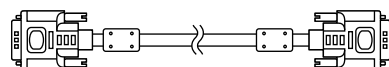
- Monitor
- Power cord



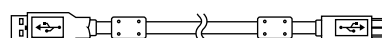
- Digital signal cable: DisplayPort - DisplayPort (PP300) × 2 pcs.



- Digital signal cable: DVI-D - DVI-D (Dual Link) (DD300DL) × 2 pcs.



- USB cable : UU300



- AC adapter (PSA-073)
- Power cord holder
- EIZO LCD Utility Disk (CD-ROM)
- Instructions for Use (this manual)

## 1-3. EIZO LCD Utility Disk

An “EIZO LCD Utility Disk” (CD-ROM) is supplied with this product. The following table shows the disk contents and the overview of the software programs.

### ● Disk contents and software overview

The disk includes application software programs for adjustment, and Installation Manual. Refer to Readme.txt file on the disk for software startup procedures or file access procedures.

Contents	Overview
Readme.txt file	
RadiCS LE (for Windows)	Quality control software for calibrating the monitor and managing the calibration history.
ScreenManager Pro for Medical (for Windows)	Software for adjusting the screen using the mouse and keyboard.
Installation Manual of this monitor (PDF file)	
“Instructions for Use” of this monitor (PDF file)	

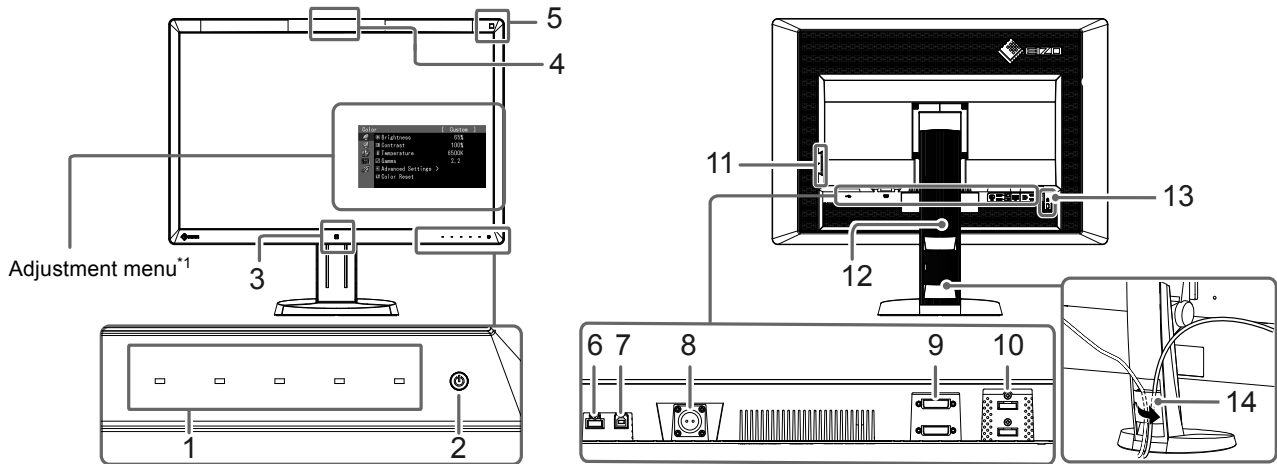
### ● Using RadiCS LE/ScreenManager Pro for Medical

For the installation and use of “RadiCS LE/ScreenManager Pro for Medical”, refer to the respective User’s Manual on the disk.

When using this software, you will need to connect a PC to the monitor with the supplied USB cable. For more information, refer to the Installation Manual (on the CD-ROM).

# 1-4. Controls and Functions

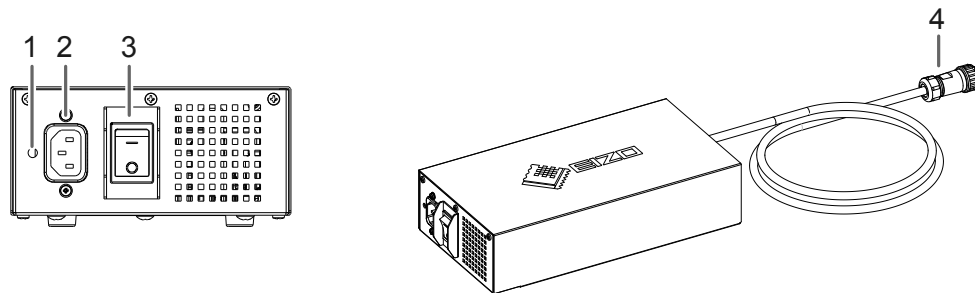
## Monitor



<b>1. Operation switches</b>	Displays the menu. Follow the guide to perform the desired operations.
<b>2. ⏻ switch</b>	<ul style="list-style-type: none"> <li>• Turns the power on or off.</li> <li>• Indicates the monitor's operation status. Green: Operating, Orange: Power saving mode, Off: Main power/power off</li> </ul>
<b>3. Presence Sensor</b>	Detects the movement of a person in front of the monitor.
<b>4. Integrated Front Sensor (slide type)</b>	Used for calibration and Grayscale Check.
<b>5. Ambient Light Sensor</b>	Measures the environmental illumination.
<b>6. USB downstream port</b>	Connects a peripheral USB device.
<b>7. USB upstream port</b>	Connects the USB cable to use the software that needs USB connection, or to use USB Hub function.
<b>8. Power connector</b>	Used to connect the AC adapter power cable.
<b>9. Input signal connector</b>	DVI-D connector
<b>10. Input signal connector</b>	DisplayPort connector
<b>11. USB downstream port</b>	Connects a peripheral USB device.
<b>12. Stand</b>	Used to adjust the height and angle of the monitor screen.
<b>13. Security lock slot</b>	Complies with Kensington's MicroSaver security system.
<b>14. Cable holder</b>	Covers the monitor cables.

\*1 For instructions for use, refer to the Installation Manual (on the CD-ROM).

## AC adapter (PSA-073)



<b>1. Power cord holder attachment hole</b>	Used to attach the power cord holder.
<b>2. Power connector</b>	Connects the power cord.
<b>3. Main power switch</b>	Turns the main power on or off.
<b>4. Power cable</b>	Connects with the power connector on the monitor.

# Chapter 2 Setting Up

## 2-1. Compatible Resolutions

The monitor supports the following resolutions.

√ : Supported

Resolution *1	Applicable signal	Dot Clock	vertical scan frequency	DisplayPort*2	DVI
640×480	VGA	240 MHz (Max.)	60 Hz	√	√
720×400	VGA TEXT		70 Hz	√	√
800×600	VESA		60 Hz	√	√
1024×768	VESA		60 Hz	√	√
1280×1024	VESA		60 Hz	√	√
1600×1200	VESA		60 Hz	√	√
1536×2048	VESA CVT RB		46 Hz	-	√
1536×2048	VESA CVT RB		60 Hz	√	√
1640×2048	VESA CVT RB		43 Hz	-	√
1640×2048*3	VESA CVT RB		60 Hz	√	√

\*1 Compatible resolutions for the left and right screens.

\*2 It is also appropriate for the 10 bit.

\*3 Recommended resolution.

The graphics board should comply with the VESA standard.

## 2-2. Connecting Cables

### Attention

- Check that the monitor and the PC are powered off.
- When replacing the current monitor with this monitor, be sure to change the PC settings for resolution and vertical scan frequency to those that are available for this monitor. Refer to the compatible resolution table before connecting the PC.

### Note

- When connecting multiple PCs to this product, refer to the Installation Manual (on the CD-ROM).

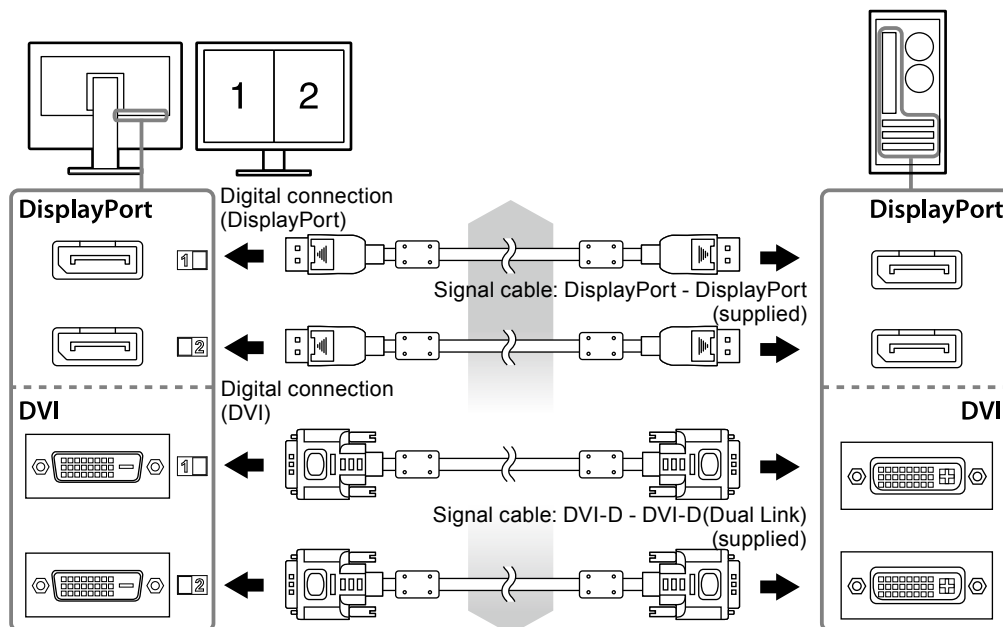
### 1. Connect the signal cables to the input signal connectors and PC.

Check the shape of the connectors, and connect the cables.

After connecting the signal cable, tighten the screws of the connectors to secure the coupling.

Connection examples :

DisplayPort 1 - DisplayPort 2 / DisplayPort 1 - DVI 2 / DVI 1 - DisplayPort 2 / DVI 1 - DVI 2



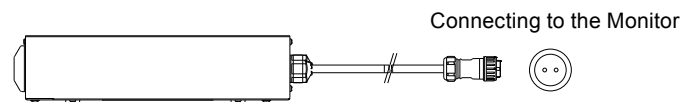
### 2. Connect the AC adapter power cable to the power connector on the monitor.

#### Attention

- Do not connect or disconnect the cable while the AC adapter main power is on.
- Do not install the AC adapter in the wrong orientation. The side with the EIZO logo should face up.

Check the shape of the monitor connector, and connect the power cable.

Tighten the screw for fixing the power cable to secure the power cable.



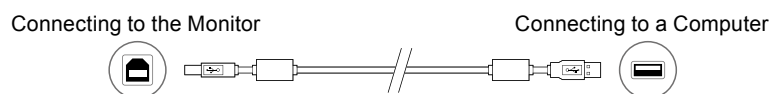
### 3. Attach the power cord holder (See “2-4. Attaching a Power Cord Holder” (page 16)).

### 4. Plug the power cord into a power outlet and the power connector on the AC adapter.

## 5. Turn on the AC adapter main power.

-: On, ○: Off

## 6. Connect the USB cable when using RadiCS LE or ScreenManager Pro for Medical.



## 7. Touch to turn on the monitor.

The monitor's power indicator lights up green.

## 8. Turn on the PC.

The screen image appears.

If an image does not appear, refer to "Chapter 3 Troubleshooting" (page 17) for additional advice.

### Attention

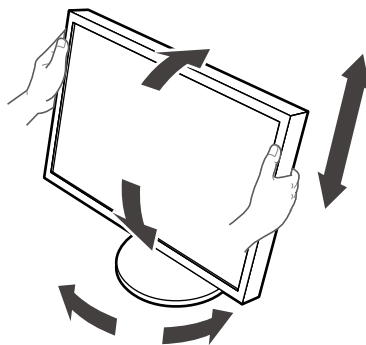
- Turn off the monitor and PC after using them.
- For the maximum power saving, it is recommended that the Power button be turned off. Turning off the AC adapter main power switch or unplugging the power cord completely shuts off power supply to the monitor.

### Note

- In order to maximize the monitor life and to minimize luminance deterioration as well as power consumption, proceed the following:
  - Use the power saving function of the computer.
  - Turn off the monitor and PC after using them.

## 2-3. Adjusting the Screen Height and Angle

Hold left and right edge of the monitor with both hands, and adjust the screen height, tilt and swivel of the screen to the best condition for working.



### Attention

- Be sure that the cables are correctly connected.

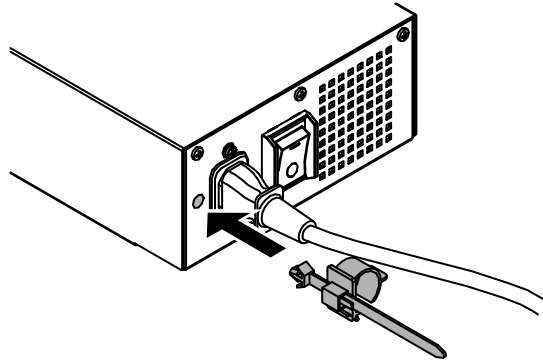
## 2-4. Attaching a Power Cord Holder

Attach the power cord holder to prevent the power cord from falling off.

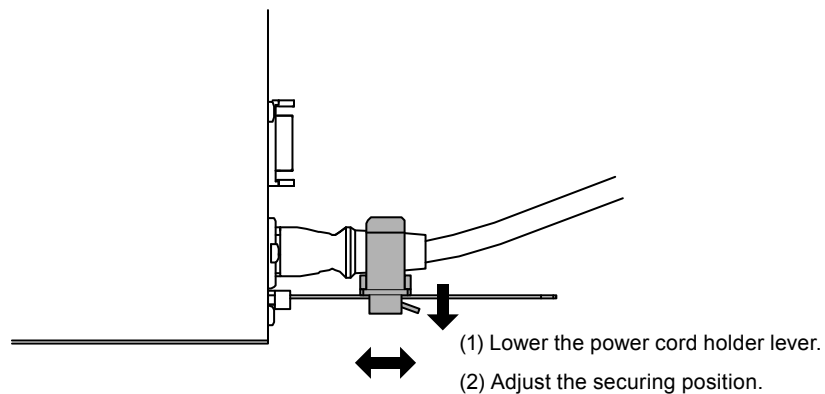
### Attention

- Be sure to attach the power cord holder when the main power to the AC adapter is off or before the power cable is plugged into the power outlet.

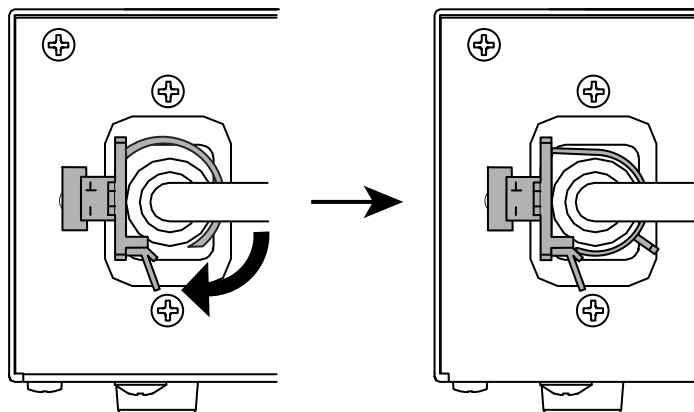
1. Attach the supplied power cord holder to the power cord attachment hole on the AC adapter.



2. Adjust the position to secure the power cord holder referring to the figure shown below.



3. Secure the power cord holder to prevent the power cord from falling off.






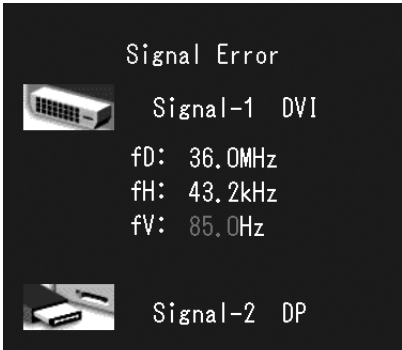
\*Check that the power cord holder is secured.



# Chapter 3 Troubleshooting

If a problem still remains after applying the suggested remedies, contact your local EIZO representative.

Problem	Possible cause and remedy
<p><b>1. No picture</b></p> <ul style="list-style-type: none"> <li>• Power indicator does not light.</li> </ul> <hr/> <ul style="list-style-type: none"> <li>• Power indicator is lighting green.</li> </ul> <hr/> <ul style="list-style-type: none"> <li>• Power indicator is lighting orange.</li> </ul> <hr/> <ul style="list-style-type: none"> <li>• Power indicator is flashing orange and green.</li> </ul>	<ul style="list-style-type: none"> <li>• Check whether the power cord and the adapter power cable are connected properly.</li> <li>• Turn the AC adapter main power switch on.</li> <li>• Touch .</li> <li>• Turn off the AC adapter main power, and then turn it on again a few minutes later.</li> </ul> <hr/> <ul style="list-style-type: none"> <li>• Increase "Brightness", "Contrast", or "Gain" in the Adjustment menu.</li> <li>• Turn off the AC adapter main power, and then turn it on again.</li> </ul> <hr/> <ul style="list-style-type: none"> <li>• Switch the input signal. For details, refer to the Installation Manual (on the CD-ROM).</li> <li>• Move the mouse or press any key on the keyboard.</li> <li>• Check whether the PC is turned on.</li> <li>• When Presence Sensor is set to "On", the monitor may have shifted to the power saving mode. Come near to the monitor.</li> <li>• Turn off the AC adapter main power, and then turn it on again.</li> </ul> <hr/> <ul style="list-style-type: none"> <li>• The device that is connected using DisplayPort have a problem. Solve the problem, turn off the monitor, and then turn it on again. Refer to the User's Manual of the output device for further details.</li> </ul>
<p><b>2. The message below appears.</b></p> <ul style="list-style-type: none"> <li>• This message appears when no signal is input. Example:</li> </ul> <div data-bbox="268 1265 673 1713" style="background-color: black; color: white; padding: 10px; border: 1px solid black;"> <p style="text-align: center;">No Signal</p> <div style="display: flex; align-items: center;">  <div> <p>Signal-1 DVI</p> <p>fH: 0.0 kHz</p> <p>fV: 0.0 Hz</p> </div> </div> <div style="display: flex; align-items: center; margin-top: 10px;">  <div> <p>Signal-2 DP</p> <p>fH: 0.0 kHz</p> <p>fV: 0.0 Hz</p> <p style="text-align: center;">Check the input signal.</p> </div> </div> </div>	<p>This message appears when the signal is not input correctly even when the monitor functions properly.</p> <hr/> <ul style="list-style-type: none"> <li>• The message shown left may appear, because some PCs do not output the signal soon after power-on.</li> <li>• Check whether the PC is turned on.</li> <li>• Check whether the signal cable is connected properly.</li> <li>• Switch the input signal. For details, refer to the Installation Manual (on the CD-ROM).</li> </ul>

Problem	Possible cause and remedy
<ul style="list-style-type: none"> <li>The message shows that the input signal is out of the specified frequency range.</li> </ul> <p>Example:</p>  <p>fD: Dot clock fH: Horizontal scan frequency fV: Vertical scan frequency</p>	<ul style="list-style-type: none"> <li>Check whether the PC is configured to meet the resolution and vertical scan frequency requirements of the monitor (see “2-1. Compatible Resolutions” (page 13)).</li> <li>Reboot the PC.</li> <li>Select an appropriate setting using the graphics board's utility. Refer to the manual of the graphics board for details.</li> </ul>

## ● Error code table

Error Code	Description
0***	<ul style="list-style-type: none"> <li>Errors that occurred during SelfCalibration</li> </ul>
1***	<ul style="list-style-type: none"> <li>Errors that occurred during Grayscale Check</li> </ul>
*1**	<ul style="list-style-type: none"> <li>Errors that occurred during DICOM</li> </ul>
*2**	<ul style="list-style-type: none"> <li>Errors that occurred during Custom</li> </ul>
*3**	<ul style="list-style-type: none"> <li>Errors that occurred during CAL1</li> </ul>
*4**	<ul style="list-style-type: none"> <li>Errors that occurred during CAL2</li> </ul>
*5**	<ul style="list-style-type: none"> <li>Errors that occurred during CAL3</li> </ul>
**10	<ul style="list-style-type: none"> <li>The product maximum brightness may be lower than the target brightness.</li> <li>Lower the target brightness.</li> </ul>
**11	<ul style="list-style-type: none"> <li>The product minimum brightness may be higher than the target brightness.</li> <li>Raise the target brightness.</li> </ul>
**34	<ul style="list-style-type: none"> <li>The sensor may not have come out during calibration, or light may have entered the sensor.</li> <li>Turn off the AC adapter main power, wait for a few minutes before turning the power back on, and then execute SelfCalibration/Grayscale Check again.</li> </ul>
**61	<ul style="list-style-type: none"> <li>The sensor may not have come out.</li> <li>Check whether there is any foreign object near the sensor.</li> <li>Execute SelfCalibration/Grayscale Check again.</li> </ul>
**94	<ul style="list-style-type: none"> <li>SelfCalibration/Grayscale Check cannot be executed due to the following settings: <ul style="list-style-type: none"> <li>- There is no signal input to the left screen, and the vertical resolution of the right screen is lower than 2048 dots.</li> <li>- The vertical resolutions of the left and right screens are lower than 2048 dots.</li> </ul> </li> </ul>
**95	<ul style="list-style-type: none"> <li>The execution conditions for SelfCalibration/Grayscale Check may not be appropriate.</li> <li>Check the execution conditions and reset them if necessary.</li> </ul>

# Chapter 4 Specifications

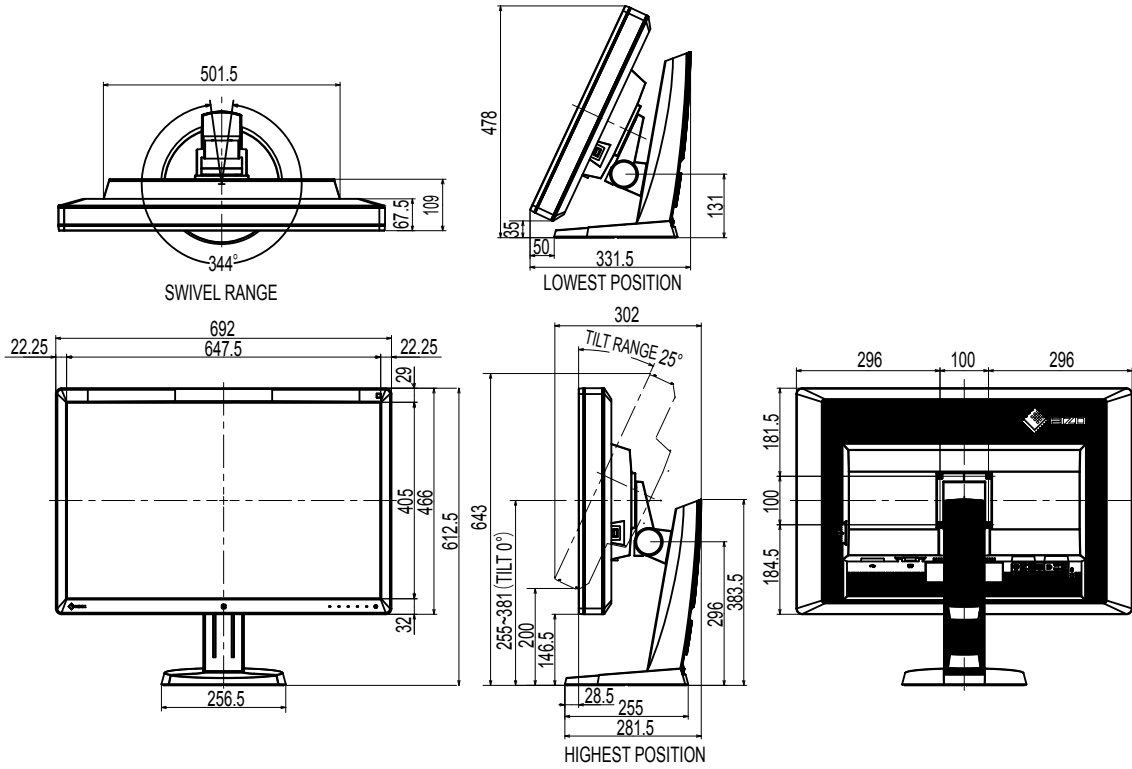
LCD Panel	Type	RX650 : IPS (Anti-Glare) RX650-AR : IPS (Anti-Reflection)
	Backlight	LED
	Size	76 cm (30.0 inch)
	Native Resolution	3280 dots × 2048 lines
	Display Size (H x V)	645.5 mm × 403.0 mm
	Pixel Pitch	0.197 mm
	Display Colors	10-bit colors (DisplayPort) : 1.07 billion (maximum) colors of 68 billion colors
		8-bit colors (DVI) : 16.77 million from a palette of 68 billion colors
	Viewing Angles (H / V, typical)	176° / 176°
	Recommended Brightness	400 cd/m <sup>2</sup>
	Response Time (typical)	30 ms (Black-white-black)
Video Signals	Input Terminals	DVI-D (Dual Link) × 2, DisplayPort × 2
	Digital Scanning Frequency (H / V)	31 kHz - 129 kHz / 29 Hz - 61 Hz (DVI), 59 Hz - 61 Hz (DisplayPort) Frame synchronous mode: 29.5 Hz - 30.5 Hz (DVI), 59 Hz - 61 Hz
USB	Port	Upstream port × 1, Downstream port × 2
	Standard	USB Specification Revision 2.0
Power	Input (AC Adapter)	AC 100 V - 120 V ±10 %, 50 / 60Hz 2.3 A - 1.9 A AC 200 V - 240 V ±10 %, 50 / 60Hz 1.2 A - 1.0 A
	Input (Monitor)	DC24.5V 8.5A
	Maximum Power Consumption	225 W or less
	Power Save Mode	6.0 W or less (when only the DVI connector is connected, no USB device is connected, and "Input Selection" is set to "Manual", and "DC5V Output" is set to "Off")
	Standby Mode	6.0 W or less (when only the DVI connector is connected, no USB device is connected, and "DC5V Output" is set to "Off")
Physical Specifications	Dimensions	692 mm × 478 mm - 612.5 mm × 331.5 mm ( W × H × D )
	Dimensions (Monitor)	692 mm × 466 mm × 109 mm ( W × H × D )
	Dimensions (AC Adapter)	148 mm × 74mm × 280mm ( W × H × D )
	Net Weight	Approx. 17.6 kg
	Net Weight (Monitor)	Approx. 13.6 kg
	Net Weight (AC Adapter)	Approx. 2.6 kg
	Height Adjustment Range	165 mm (Max.), 126 mm (Tilt: 0°)
	Tilt	Up 25°, down 0°
	Swivel	344°
Operating Environmental Requirements	Temperature:	0 °C to 35 °C (32 °F to 95 °F)
	Humidity	20 % to 80 % R.H. (no condensation)
	Air pressure	540 hPa to 1060 hPa

Transportation/ Storage Environmental Requirements	Temperature	-20 °C to 60 °C (-4 °F to 140 °F)
	Humidity	10 % to 90 % R.H. (no condensation)
	Air pressure	200 hPa to 1060 hPa

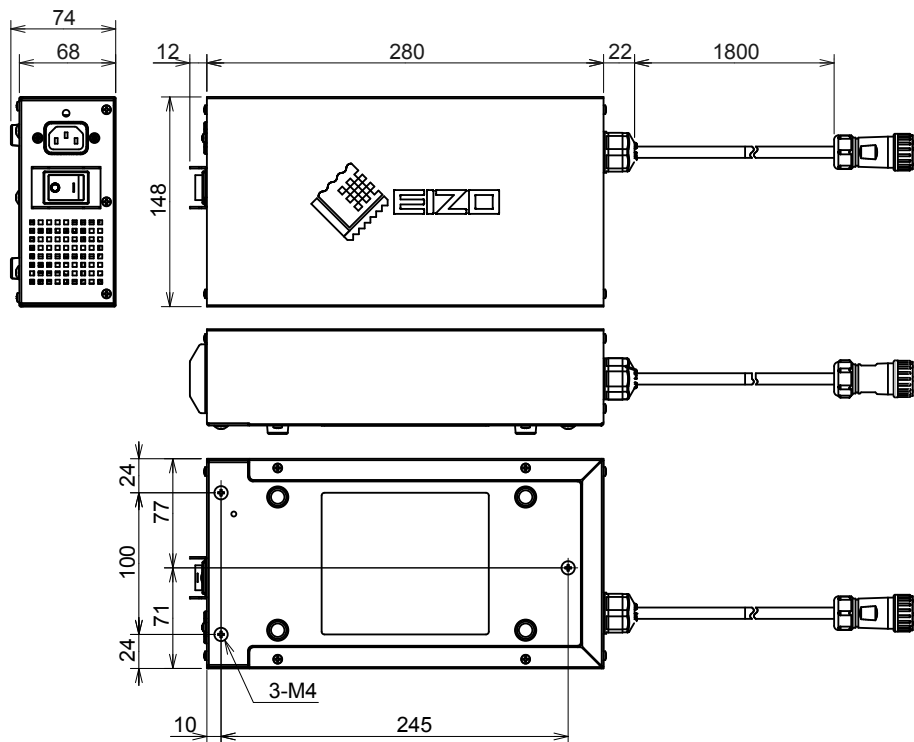
## Outside Dimensions

Unit: mm

### Monitor



### AC adapter (PSA-073)



## Accessories

Calibration Kit	EIZO "RadiCS UX1" Ver. 4.3.0 or later EIZO "RadiCS Version Up Kit" Ver. 4.3.0 or later
Network QC Management Software	EIZO "RadiNET Pro" Ver. 4.3.0 or later
Cleaning Kit	EIZO "ScreenCleaner"

For the latest information about the accessories and information about the latest compatible graphics board, refer to our web site.

<http://www.eizoglobal.com>

# Chapter 5 Glossary

## **DDC (Display Data Channel)**

VESA provides the standardization for the interactive communication of the setting information, etc. between a PC and the monitor.

## **DICOM (Digital Imaging and Communication in Medicine)**

The DICOM standard was developed by the American College of Radiology and the National Electrical Manufacturer's Association of the USA.

The DICOM compatible device connection enables to transfer the medical image and information. The DICOM, Part 14 document defines the digital, grayscale medical image display.

## **DisplayPort**

This is the interface standard for image signals standardized in accordance with VESA. It was developed with the aim of replacing the conventional DVI and analog interfaces, and it can transmit high resolution signals and sound signals, which DVI does not support. It also supports 10-bit color, copyright protection technology, long cables, etc. The standard size and mini size connectors have been standardized.

## **DVI (Digital Visual Interface)**

DVI is a digital interface standard. DVI allows direct transmission of the PC's digital data without loss.

This adopts the TMDS transmission system and DVI connectors. There are two types of DVI connectors. One is a DVI-D connector for digital signal input only. The other is a DVI-I connector for both digital and analog signal inputs.

## **DVI DMPM (DVI Digital Monitor Power Management)**

DVI DMPM is a digital interface power saving function. The "Monitor ON (operating mode)" and "Active Off (power saving mode)" are indispensable for DVI DMPM as the monitor's power mode.

## **Gain**

This is used to adjust each color parameter for red, green and blue. An LCD monitor displays the color by the light passing through the panel color filter. Red, green and blue are the three primary colors. All the colors on the screen are displayed by combining these three colors. The color tone can be changed by adjusting the light intensity (volume) passing through each color's filter.

## **Gamma**

Generally, the monitor brightness varies nonlinearly with the input signal level, which is called "Gamma Characteristic". A small gamma value produces a low-contrast image, while a large gamma value produces a highcontrast image.

## **HDCP (High-bandwidth Digital Content Protection)**

Digital signal coding system developed to copy-protect the digital contents, such as video, music, etc.

This helps to transmit the digital contents safely by coding the digital contents sent via the DVI or HDMI connector on the output side and decoding them on the input side.

Any digital contents cannot be reproduced if both of the equipments on the output and input sides are not applicable to HDCP system.

## **Resolution**

The LCD panel consists of numerous pixels of specified size, which are illuminated to form images. This monitor consists of horizontal 3280 pixels and 2048 vertical pixels. Therefore, if the combined resolution of the left and right screen is 3280 × 2048, all pixels are illuminated as a full screen (1:1).

## **sRGB (Standard RGB)**

International standard for color reproduction and color space among peripheral devices (such as monitors, printers, digital cameras, scanners). As a form of simple color matching for the Internet, colors can be displayed using tones close to those of the transmission and reception devices.

## **Temperature**

Color temperature is a method to measure the white color tone, generally indicated in degrees Kelvin. The screen becomes reddish at a low temperature, and bluish at a high temperature, like the flame temperature.

5000 K: Slightly reddish white

6500 K: White referred to as daylight-balanced color

9300 K: Slightly bluish white

# Appendix

## Trademark

The terms HDMI and HDMI High-Definition Multimedia Interface, and the HDMI Logo are trademarks or registered trademarks of HDMI Licensing, LLC in the United States and other countries.

The DisplayPort Compliance Logo and VESA are registered trademarks of the Video Electronics Standards Association.

Acrobat, Adobe, Adobe AIR, and Photoshop are registered trademarks of Adobe Systems Incorporated in the United States and other countries.

AMD Athlon and AMD Opteron are trademarks of Advanced Micro Devices, Inc.

Apple, ColorSync, eMac, iBook, iMac, iPad, Mac, MacBook, Macintosh, Mac OS, PowerBook, and QuickTime are registered trademarks of Apple Inc.

ColorMunki, Eye-One, and X-Rite are registered trademarks or trademarks of X-Rite Incorporated in the United States and/or other countries.

ColorVision and ColorVision Spyder2 are registered trademarks of DataColor Holding AG in the United States.

Spyder3 and Spyder4 are trademarks of DataColor Holding AG.

ENERGY STAR is a registered trademark of the United States Environmental Protection Agency in the United States and other countries.

GRACoL and IDEAlliance are registered trademarks of International Digital Enterprise Alliance.

NEC is a registered trademark of NEC Corporation.

PC-9801 and PC-9821 are trademarks of NEC Corporation.

NextWindow is a registered trademark of NextWindow Ltd.

Intel, Intel Core and Pentium are registered trademarks of Intel Corporation in the United States and other countries.

PowerPC is a registered trademark of International Business Machines Corporation.

PlayStation is a registered trademark of Sony Computer Entertainment Inc.

PSP and PS3 are trademarks of Sony Computer Entertainment Inc.

RealPlayer is a registered trademark of RealNetworks, Inc.

TouchWare is a trademark of 3M Touch Systems, Inc.

Windows, Windows Media, Windows Vista, SQL Server, and Xbox 360 are registered trademarks of Microsoft Corporation in the United States and other countries.

YouTube is a registered trademark of Google Inc.

Firefox is a registered trademark of the Mozilla Foundation.

Kensington and MicroSaver are trademarks of ACCO Brands Corporation.

EIZO, the EIZO Logo, ColorEdge, DuraVision, FlexScan, FORIS, RadiCS, RadiForce, RadiNET, Raptor, and ScreenManager are registered trademarks of EIZO Corporation in Japan and other countries.

ColorNavigator, EcoView NET, EIZO EasyPIX, EIZO ScreenSlicer, i•Sound, Screen Administrator, and UniColor Pro are trademarks of EIZO Corporation.

All other company and product names are trademarks or registered trademarks of their respective owners.

## License

A round gothic bold bit map font designed by Ricoh is used for the characters displayed on this product.



## Medical Standard

---

- It shall be assured that the final system is in compliance to IEC60601-1-1 requirement.
- Power supplied equipment can emit electromagnetic waves, that could influence, limit or result in malfunction of the monitor. Install the equipment in a controlled environment, where such effects are avoided.

### Classification of Equipment

- Type of protection against electric shock : Class I
- EMC class: EN60601-1-2:2007 Group 1 Class B
- Classification of medical device (MDD 93/42/EEC) : Class I
- Mode of operation : Continuous
- IP Class : IPX0

# FCC Declaration of Conformity

For U.S.A. , Canada, etc. (rated 100-120 Vac) Only

## FCC Declaration of Conformity

**We, the Responsible Party**

EIZO Inc.

5710 Warland Drive, Cypress, CA 90630

Phone: (562) 431-5011

**declare that the product**

Trade name: EIZO

Model: RadiForce RX650

**is in conformity with Part 15 of the FCC Rules. Operation of this product is subject to the following two conditions: (1) this device may not cause harmful interference, and (2) this device must accept any interference received, including interference that may cause undesired operation.**

This equipment has been tested and found to comply with the limits for a Class B digital device, pursuant to Part 15 of the FCC Rules. These limits are designed to provide reasonable protection against harmful interference in a residential installation. This equipment generates, uses, and can radiate radio frequency energy and, if not installed and used in accordance with the instructions, may cause harmful interference to radio communications. However, there is no guarantee that interference will not occur in a particular installation. If this equipment does cause harmful interference to radio or television reception, which can be determined by turning the equipment off and on, the user is encouraged to try to correct the interference by one or more of the following measures.

- \* Reorient or relocate the receiving antenna.
- \* Increase the separation between the equipment and receiver.
- \* Connect the equipment into an outlet on a circuit different from that to which the receiver is connected.
- \* Consult the dealer or an experienced radio/TV technician for help.

Changes or modifications not expressly approved by the party responsible for compliance could void the user's authority to operate the equipment.

**Note**

Use the attached specified cable below or EIZO signal cable with this monitor so as to keep interference within the limits of a Class B digital device.

- AC Cord
- Shielded Signal Cable (enclosed)

## Canadian Notice

This Class B digital apparatus complies with Canadian ICES-003.  
Cet appareil numérique de la classe B est conforme à la norme NMB-003 du Canada.

# EMC Information

Essential performance of RadiForce series is to display images and operate functions normally.

## CAUTION

The RadiForce series requires special precautions regarding EMC and need to be installed, put into service and used according to the following information.

Do not use any cables other than the cables that provided or specified by us.

Using other cables may cause the increase of emission or decrease of immunity.

Cable Length: Max. 3m

Do not put any portable and mobile RF communications equipment close to the RadiForce series. Doing so may affect the RadiForce series.

The RadiForce series should not be used adjacent to or stacked with other equipment. If adjacent or stacked use is necessary, the equipment or system should be observed to verify normal operation in the configuration in which it will be used.


Anyone who connects additional equipment to the signal input part or signal output parts, configuring a medical system, is responsible that the system complies with the requirements of IEC/EN60601-1-2.

Guidance and manufacturer's declaration - electromagnetic emissions		
The RadiForce series is intended for use in the electromagnetic environment specified below. The customer or the user of the RadiForce series should assure that it is used in such an environment.		
Emission test	Compliance	Electromagnetic environment - guidance
RF emissions CISPR11/EN55011	Group 1	The RadiForce series uses RF energy only for its internal function. Therefore, its RF emission are very low and are not likely to cause any interference in nearby electronic equipment.
RF emissions CISPR11/EN55011	Class B	The RadiForce series is suitable for use in all establishments, including domestic establishments and those directly connected to the public low-voltage power supply network that supplies buildings used for domestic purposes.
Harmonic emissions IEC/EN61000-3-2	Class D	
Voltage fluctuations / flicker emissions IEC/EN61000-3-3	Complies	

Guidance and manufacturer's declaration - electromagnetic immunity			
The RadiForce series is intended for use in the electromagnetic environment specified below. The customer or the user of the RadiForce series should assure that it is used in such an environment.			
Immunity test	IEC/EN60601 test level	Compliance level	Electromagnetic environment - guidance
Electrostatic discharge (ESD) IEC/EN61000-4-2	±6kV contact ±8kV air	±6kV contact ±8kV air	Floors should be wood, concrete or ceramic tile. If floors are covered with synthetic material, the relative humidity should be at least 30%.
Electrical fast transient / burst IEC/EN61000-4-4	±2kV for power supply lines ±1kV for input/output lines	±2kV for power supply lines ±1kV for input/output lines	Mains power quality should be that of a typical commercial or hospital environment.
Surge IEC/EN61000-4-5	±1kV line(s) to line(s) ±2kV line(s) to earth	±1kV line(s) to line(s) ±2kV line(s) to earth	Mains power quality should be that of a typical commercial or hospital environment.
Voltage dips, short interruptions and voltage variations on power supply input lines IEC/EN61000-4-11	<5% U <sub>T</sub> (>95% dip in U <sub>T</sub> ) for 0.5 cycle 40% U <sub>T</sub> (60% dip in U <sub>T</sub> ) for 5 cycles 70% U <sub>T</sub> (30% dip in U <sub>T</sub> ) for 25 cycles <5% U <sub>T</sub> (>95% dip in U <sub>T</sub> ) for 5sec	<5% U <sub>T</sub> (>95% dip in U <sub>T</sub> ) for 0.5 cycle 40% U <sub>T</sub> (60% dip in U <sub>T</sub> ) for 5 cycles 70% U <sub>T</sub> (30% dip in U <sub>T</sub> ) for 25 cycles <5% U <sub>T</sub> (>95% dip in U <sub>T</sub> ) for 5sec	Mains power quality should be that of a typical commercial or hospital environment. If the user of the RadiForce series requires continued operation during power mains interruptions, it is recommended that the RadiForce series be powered from an uninterruptible power supply or a battery.
Power frequency (50/60Hz) magnetic field IEC/EN61000-4-8	3A/m	3A/m	Power frequency magnetic fields should be at levels characteristic of a typical location in a typical commercial or hospital environment.
NOTE U <sub>T</sub> is the a.c. mains voltage prior to application of the test level.			

**Guidance and manufacturer's declaration - electromagnetic immunity**

The RadiForce series is intended for use in the electromagnetic environment specified below. The customer or the user of the RadiForce series should assure that it is used in such an environment.

Immunity test	IEC/EN60601 test level	Compliance level	Electromagnetic environment - guidance
<p>Conducted RF IEC/EN61000-4-6</p> <p>Radiated RF IEC/EN61000-4-3</p>	<p>3Vrms 150kHz to 80MHz</p> <p>3V/m 80MHz to 2.5GHz</p>	<p>3Vrms</p> <p>3V/m</p>	<p>Portable and mobile RF communications equipment should be used no closer to any part of the RadiForce series, including cables, than the recommended separation distance calculated from the equation applicable to the frequency of the transmitter.</p> <p>Recommended Separation distance</p> <p><math>d = 1.2 \sqrt{P}</math></p> <p><math>d = 1.2 \sqrt{P}</math>, 80MHz to 800MHz  <math>d = 2.3 \sqrt{P}</math>, 800MHz to 2.5GHz</p> <p>Where "P" is the maximum output power rating of the transmitter in watts (W) according to the transmitter manufacturer and "d" is the recommended separation distance in meters (m).</p> <p>Field strengths from fixed RF transmitters, as determined by an electromagnetic site survey<sup>a</sup>, should be less than the compliance level in each frequency range<sup>b</sup>.</p> <p>Interference may occur in the vicinity of equipment marked with the following symbol.</p> 

NOTE 1 At 80 MHz and 800 MHz, the higher frequency range applies.

NOTE 2 These guidelines may not apply in all situations. Electromagnetic propagation is affected by absorption and reflection from structures, objects and people.

<sup>a</sup> Field strengths from fixed transmitters, such as base stations for radio (cellular/cordless) telephones and land mobile radios, amateur radio, AM and FM radio broadcast and TV broadcast cannot be predicted theoretically with accuracy. To assess the electromagnetic environment due to fixed RF transmitters, an electromagnetic site survey should be considered. If the measured field strength in the location in which the RadiForce series is used exceeds the applicable RF compliance level above, the RadiForce series should be observed to verify normal operation. If abnormal performance is observed, additional measures may be necessary, such as reorienting or relocating the RadiForce series.

<sup>b</sup> Over the frequency range 150 kHz to 80 MHz, field strengths should be less than 3 V/m.

### Recommended separation distances between portable and mobile RF communications equipment and the RadiForce Series

The RadiForce series is intended for use in an electromagnetic environment in which radiated RF disturbances are controlled. The customer or the user of the RadiForce series can help prevent electromagnetic interference by maintaining a minimum distance between portable and mobile RF communications equipment (transmitters) and the RadiForce series as recommended below, according to the maximum output power of the communications equipment.

Rated maximum output power of transmitter W	Separation distance according to frequency of transmitter m		
	150kHz to 80MHz $d = 1.2 \sqrt{P}$	80MHz to 800MHz $d = 1.2 \sqrt{P}$	800MHz to 2.5GHz $d = 2.3 \sqrt{P}$
0.01	0.12	0.12	0.23
0.1	0.38	0.38	0.73
1	1.2	1.2	2.3
10	3.8	3.8	7.3
100	12	12	23

For transmitters rated at a maximum output power not listed above, the recommended separation distance “d” in meters (m) can be estimated using the equation applicable to the frequency of the transmitter, where “P” is the maximum output power rating of the transmitter in watts (W) according to the transmitter manufacturer.

NOTE 1 At 80 MHz and 800 MHz, the separation distance for the higher frequency range applies.

NOTE 2 These guidelines may not apply in all situations. Electromagnetic propagation is affected by absorption and reflection from structures, objects and people.



## **EIZO Corporation**

153 Shimokashiwano, Hakusan, Ishikawa 924-8566 Japan

EC REP

## **EIZO GmbH**

Siemensallee 84, 76187 Karlsruhe, Germany



## **艺卓显像技术(苏州)有限公司**

中国苏州市苏州工业园区展业路 8 号中新科技工业坊 5B

<http://www.eizoglobal.com>

Copyright © 2013-2017 EIZO Corporation. All rights reserved.



00N0L842E1   
U.M-RX650-4 

5th Edition-June, 2017 Printed in Japan.