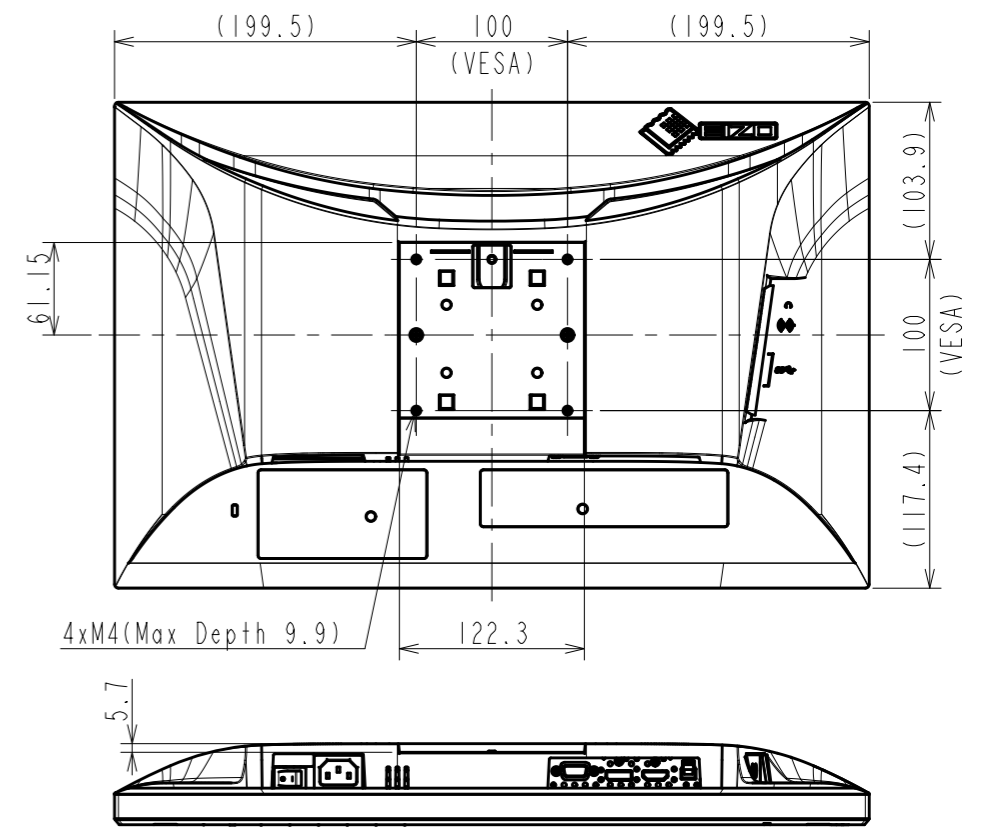
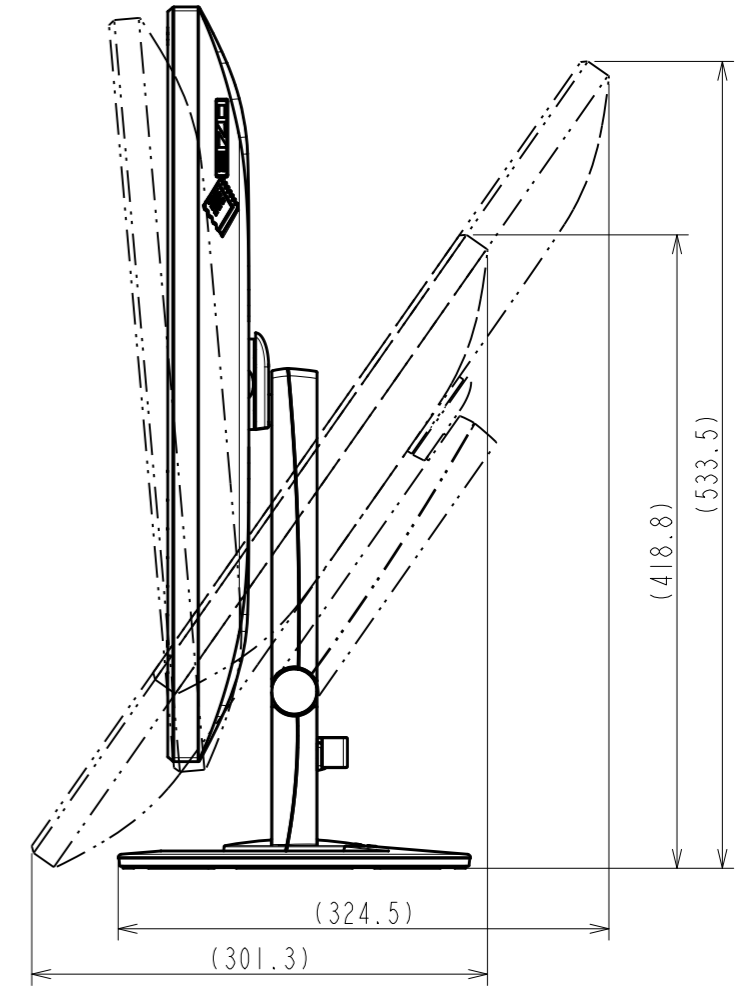
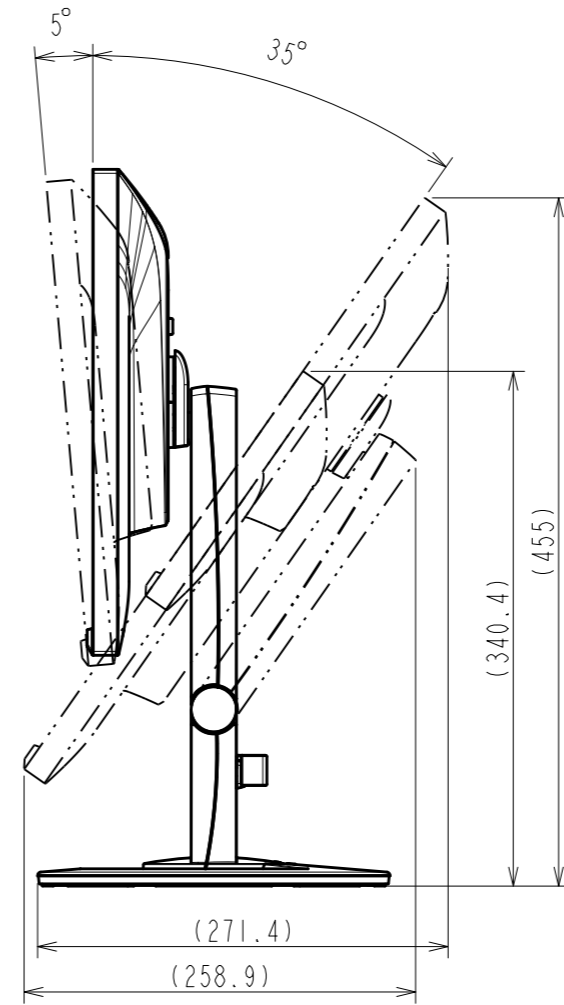
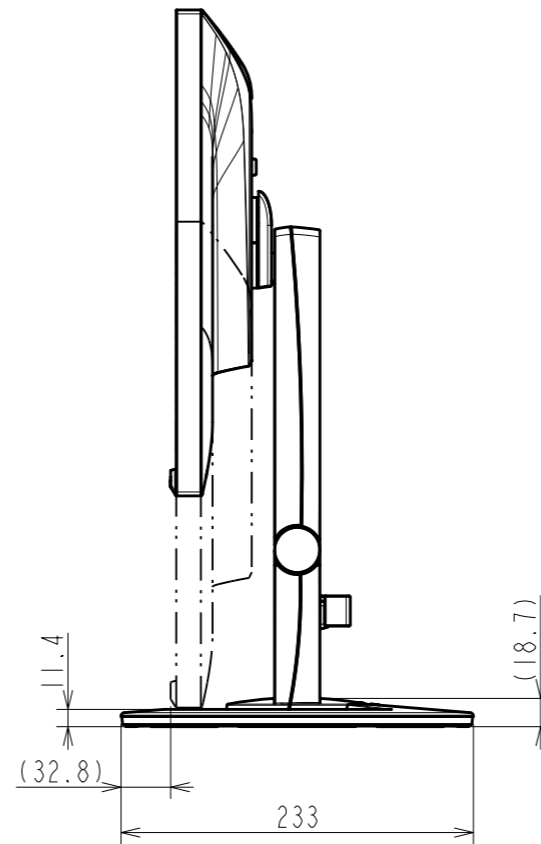
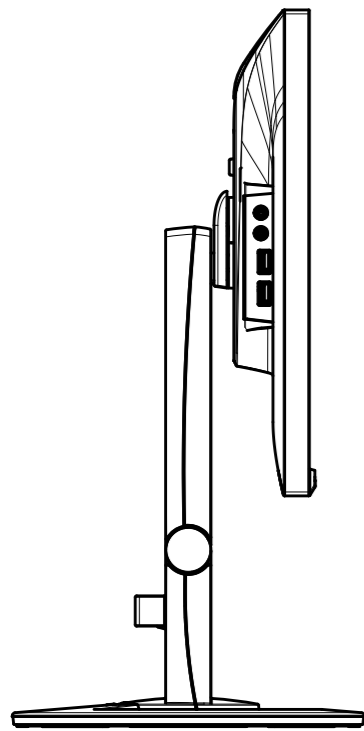
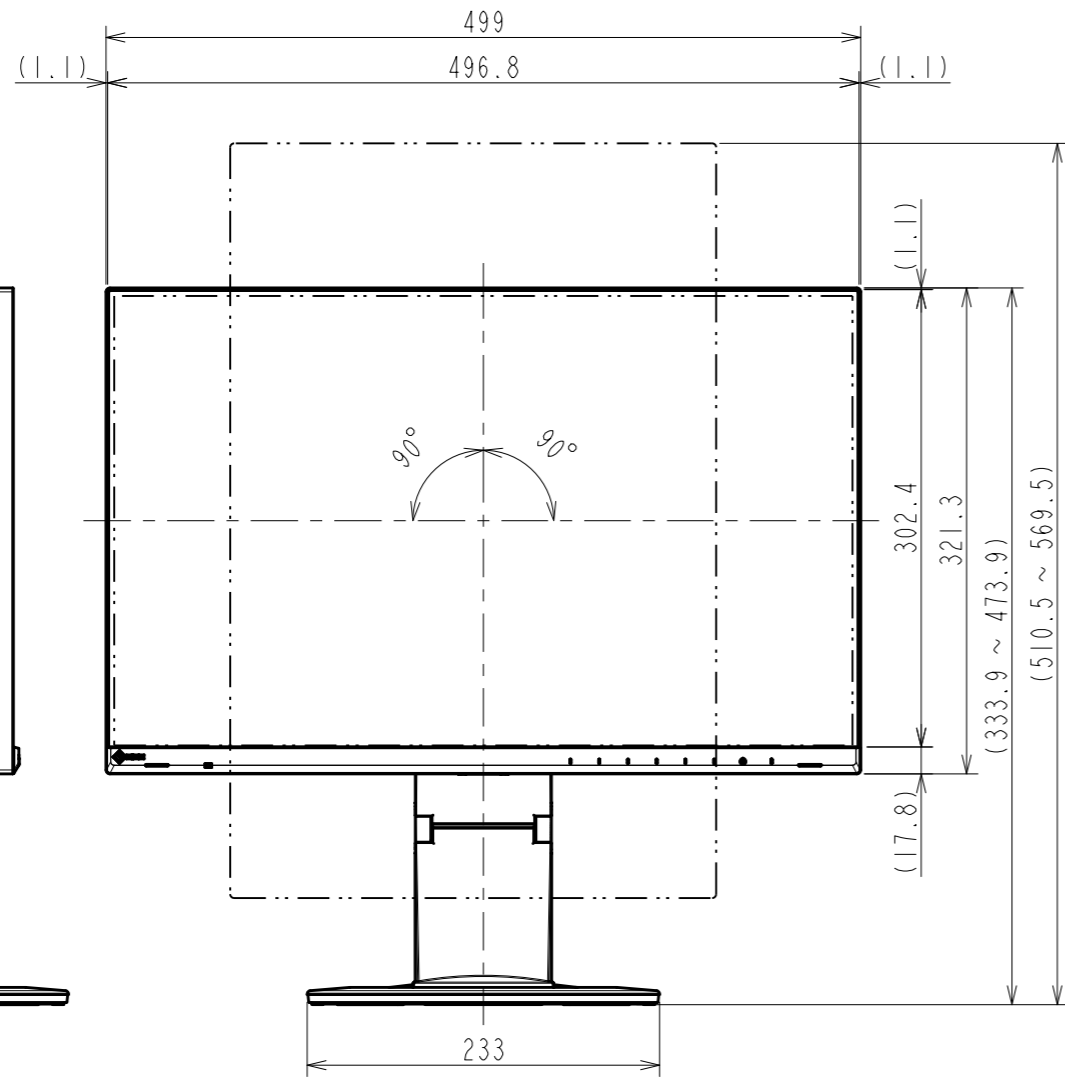
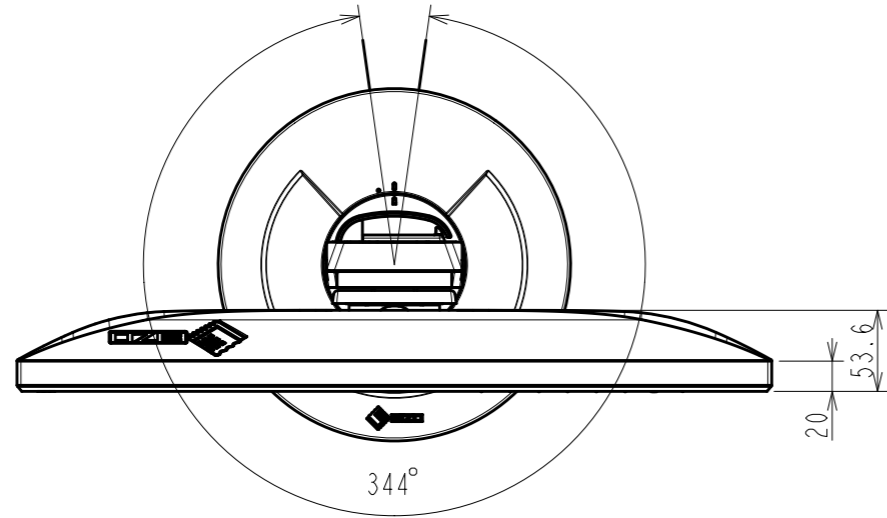


OUTLINE DIMENSIONS

MODEL EV2360

UNIT mm

EIZO Corporation



OUTLINE DIMENSIONS

MODEL EV2360

UNIT mm

EIZO Corporation

