

# User's Manual

## FlexScan® EV2451

Color LCD Monitor

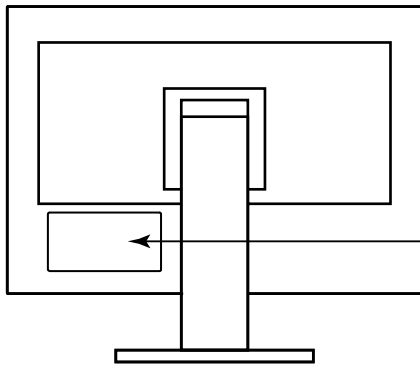
### Important

Please read PRECAUTIONS, this User's Manual, and the Setup Guide (separate volume) carefully to familiarize yourself with safe and effective usage.

- 
- Please refer to the Setup Guide for basic information ranging from connection of the monitor to a PC to using the monitor.
  - For the latest product information including the User's Manual, refer to our web site :  
[www.eizoglobal.com](http://www.eizoglobal.com)
- 



## Location of Caution Statement



  
**WARNING**  
RISK OF ELECTRIC SHOCK. DO NOT OPEN.  
**AVERTISSEMENT**  
RISQUE DE CHOC ELECTRIQUE. NE PAS OUVRIR.  
**WARNUNG**  
GEFAHR DES ELEKTRISCHEN SCHLAGES. RÜCKWAND NICHT ENTFERNEN.  
警告  
触电危険，请勿打开后盖。  
警告  
感電の恐れあり，カバーをあげないでください。

The equipment must be connected to a grounded main outlet.  
L'appareil doit être relié à une prise avec terre.  
Jordet stikkontakt skal benyttes når apparatet tilkobles datanett.  
Apparaten skall anslutas till jordat nätuttag.  
设备必须连接到接地的电源插座。  
電源コードのアースは必ず接地してください。

This product has been adjusted specifically for use in the region to which it was originally shipped. If operated outside this region, the product may not perform as stated in the specifications.

No part of this manual may be reproduced, stored in a retrieval system, or transmitted, in any form or by any means, electronic, mechanical, or otherwise, without the prior written permission of EIZO Corporation. EIZO Corporation is under no obligation to hold any submitted material or information confidential unless prior arrangements are made pursuant to EIZO Corporation's receipt of said information. Although every effort has been made to ensure that this manual provides up-to-date information, please note that EIZO monitor specifications are subject to change without notice.

# Notice for this monitor

---

---

This product is suited to general purposes like creating documents, viewing multimedia content (Assuming usage of approximately 12 hours per day).

If using this product for the following kinds of applications, where an extremely high degree of reliability and safety is required, then measures should be in place to maintain safety while using this product.

- Transportation equipment (ships, aircraft, trains, and automobiles)
  - Safety devices (Disaster prevention systems, security control systems, etc.)
  - Life-critical devices (medical devices, such as life-support devices and operating room devices)
  - Nuclear energy control devices (Nuclear energy control systems, security control systems of nuclear facilities, etc.)
  - Major system communication devices (operation control systems of transportation systems, air traffic control systems, etc.)
- 

This product has been adjusted specifically for use in the region to which it was originally shipped. If the product is used outside the region, it may not operate as specified in the specifications.

---

This product may not be covered by warranty for uses other than those described in this manual.

---

The specifications noted in this manual are only applicable when the following are used:

- Power cords provided with the product
  - Signal cables specified by us
- 

Only use optional products manufactured or specified by us with this product.

---

If you place this product on a lacquer-coated desk, the color may adhere to the bottom of the stand due to the composition of the rubber. Check the desk surface before use.

---

It takes about 30 minutes for the performance of electrical parts to stabilize. Please wait 30 minutes or more after the monitor power has been turned on, and then adjust the monitor.

---

Monitors should be set to a lower brightness to reduce changes in luminosity caused by long-term use and maintain a stable display.

---

When the screen image is changed after displaying the same image for extended periods of time, an afterimage may appear. Use the screen saver or power save function to avoid displaying the same image for extended periods of time. Depending on the image, an afterimage may appear even if it was displayed for a short period of time. To remove such a phenomenon, change the image or keep the power turned off for several hours.

---

If the monitor displays continuously over a long period of time, dark smudges or burn-in may appear. To maximize the life of the monitor, we recommend the monitor be turned off periodically.

---

Periodic cleaning is recommended to keep the monitor looking new and to prolong its operation lifetime (refer to [“Cleaning” \(page 4\)](#)).

---

The LCD panel is manufactured using high-precision technology. Although, missing pixels or lit pixels may appear on the LCD panel, this is not a malfunction. Percentage of effective dots: 99.9994 % or higher.

---

The backlight of the LCD panel has a fixed lifetime. Depending on the usage pattern, such as usage for long continuous periods, the lifespan of the backlight may run out sooner, requiring replacement. When the screen becomes dark or begins to flicker, please contact your local EIZO representative.

---

---

Do not press on the LCD panel or edge of the frame strongly, as this may result in display malfunctions, such as interference patterns, etc. If pressure is continuously applied to the LCD panel surface, the liquid crystal may deteriorate or the LCD panel may be damaged. (If the pressure marks remain on the panel, leave the monitor with a black or white screen. The symptom may disappear.)

---

Do not scratch or press on the LCD panel with any sharp objects, at this may result in damage to the LCD panel. Do not attempt to brush with tissues as this may scratch the panel.

---

When the monitor is cold and brought into a room or the room temperature goes up quickly, dew condensation may occur on the interior and exterior surfaces of the monitor. In that case, do not turn the monitor on. Instead wait until the dew condensation disappears, otherwise it may cause some damage to the monitor.

---

---

## Cleaning

---

### **Attention**

- Chemicals such as alcohol and antiseptic solution may cause gloss variation, tarnishing, and fading of the cabinet or LCD panel, and also quality deterioration of the image.
  - Never use thinner, benzine, wax, or abrasive cleaner as they may damage the cabinet or LCD panel surface.
- 

### **Note**

- It is recommended that ScreenCleaner (available as an option) be used to clean the cabinet and LCD panel surface.
- 

The stains on the cabinet and LCD panel surface can be removed by moistening part of a soft cloth with water.

## To use the monitor comfortably

---

- An excessively dark or bright screen may affect your eyes. Adjust the brightness of the monitor according to the environmental conditions.
- Staring at the monitor for a long time tires your eyes. Take a 10-minute rest every hour.

# CONTENTS

<b>Notice for this monitor .....</b>	<b>3</b>	<b>Chapter 6 Reference .....</b>	<b>32</b>
Cleaning .....	4	6-1. <b>Attaching the Optional Arm.....</b>	<b>32</b>
To use the monitor comfortably .....	4	● Attaching the Optional Arm (or Optional Stand).....	33
<b>CONTENTS.....</b>	<b>5</b>	● Attaching the original stand .....	33
<b>Chapter 1 Introduction.....</b>	<b>6</b>	6-2. <b>Detaching / Attaching the Cable Holder... 34</b>	
1-1. <b>Features .....</b>	<b>6</b>	● Detaching the cable holder .....	34
● High Degree of Flexibility for Installation .....	6	● Attaching the cable holder .....	34
● Reduction of Power Consumption .....	7	6-3. <b>Detaching / Attaching the Cable Cover .... 35</b>	
● Realizing More Convenient Operations Using Screen InStyle .....	7	● Attaching the cable cover.....	35
1-2. <b>Controls and Functions .....</b>	<b>8</b>	● Detaching the cable cover .....	36
● Front .....	8	6-4. <b>Connecting Multiple PCs .....</b>	<b>37</b>
● Rear.....	9	● Connection examples .....	37
1-3. <b>Supported Resolutions .....</b>	<b>10</b>	6-5. <b>Making Use of USB     (Universal Serial Bus).....</b>	<b>38</b>
1-4. <b>Setting the Resolution .....</b>	<b>11</b>	● Required System Environment .....	38
● Windows 10.....	11	● Connection Procedure (Setup of USB Function).....	38
● Windows 8.1 / Windows 7 .....	11	6-6. <b>Specifications .....</b>	<b>39</b>
● OS X Mountain Lion (10.8) or later.....	11	● Main Default Settings .....	40
● Mac OS X 10.7 .....	11	● Accessories.....	40
<b>Chapter 2 Basic Adjustment/Setting.....</b>	<b>12</b>	<b>Appendix.....</b>	<b>41</b>
2-1. <b>Switch Operation Method .....</b>	<b>12</b>	Trademark .....	41
2-2. <b>Switching Input Signals .....</b>	<b>12</b>	License .....	41
2-3. <b>Switching Display Modes (Color Modes)...13</b>		ENERGY STAR.....	41
● Display Modes.....	13	TCO Certified .....	42
2-4. <b>Conserving Energy .....</b>	<b>13</b>	FCC Declaration of Conformity .....	43
2-5. <b>Adjusting Brightness .....</b>	<b>15</b>	LIMITED WARRANTY .....	44
2-6. <b>Adjusting Volume.....</b>	<b>16</b>	Recycling Information .....	45
<b>Chapter 3 Advanced Adjustment/Setting .....</b>	<b>17</b>		
3-1. <b>Basic Operation of the Setting menu .....</b>	<b>17</b>		
3-2. <b>Setting Menu Functions .....</b>	<b>18</b>		
● Color Adjustment.....	18		
● Signal Settings .....	21		
● Preference Settings .....	24		
● Language .....	25		
● Information .....	25		
<b>Chapter 4 Administrator Settings.....</b>	<b>26</b>		
4-1. <b>Basic Operation of the “Administrator     Settings” Menu.....</b>	<b>26</b>		
4-2. <b>Functions of the “Administrator     Settings” Menu.....</b>	<b>27</b>		
<b>Chapter 5 Troubleshooting.....</b>	<b>28</b>		
5-1. <b>No Picture .....</b>	<b>28</b>		
5-2. <b>Imaging Problems     (For Both Digital and Analog).....</b>	<b>29</b>		
5-3. <b>Imaging Problems (For Analog Only) .....</b>	<b>30</b>		
5-4. <b>Other Problems .....</b>	<b>31</b>		

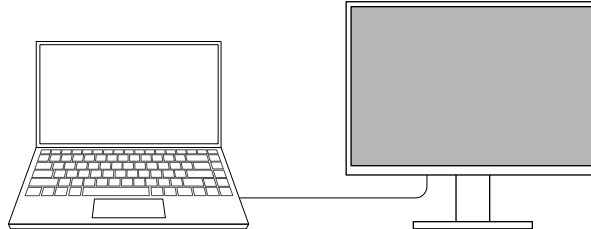
# Chapter 1 Introduction

Thank you very much for choosing an EIZO color LCD monitor.

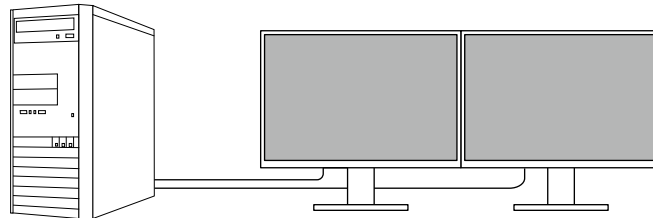
## 1-1. Features

### ● High Degree of Flexibility for Installation

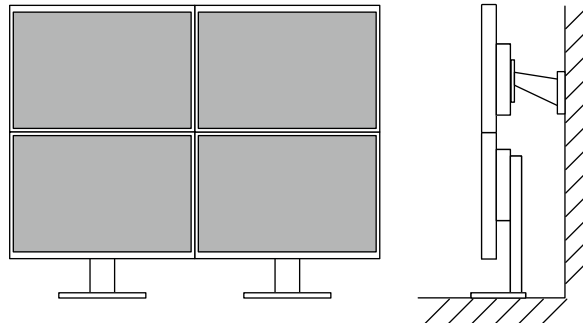
- This product can be used as an external monitor of a notebook computer.



- This product can be used in a multi-monitor configuration in which multiple monitors are connected to a single PC.



- Mounting the monitor on an arm enables this product to be used in a multiple-monitor configuration in which the screen is rotated by 180° (flipped vertically).



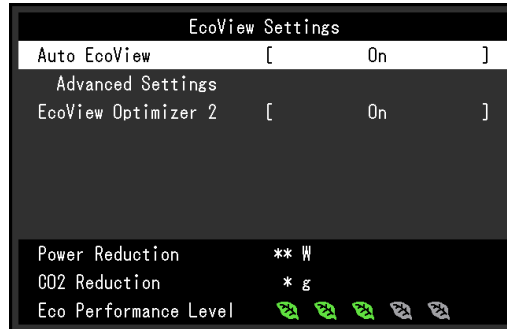
---

**Note**

- PC settings must be configured to rotate the monitor display by 180°.
-

## ● Reduction of Power Consumption

This product provides a function that automatically adjusts the screen brightness to reduce power consumption \*1. Power Reduction, CO<sub>2</sub> Reduction, and Eco Performance Level can be checked on the "EcoView Settings" menu.



- Auto EcoView  
The ambient light sensor on the front of the monitor detects the ambient brightness to automatically adjust the screen brightness to a comfortable level.
- EcoView Optimizer 2  
The monitor automatically adjusts the screen brightness according to the white level of the input signal. This function can reduce power consumption while maintaining the brightness specified by the input signal.

\*1 Reference values:

Maximum power consumption: 42 W (when a USB device is connected, speaker working), standard power consumption: 13 W (brightness 120 cd/m<sup>2</sup>, when no USB device is connected, speaker not working, at default settings)

## ● Realizing More Convenient Operations Using Screen InStyle

The "Screen InStyle" monitor control utility enables you to use the monitor more conveniently.

- The monitor color mode can be switched automatically to suit the software to be used.
- When multiple monitors are installed, you can turn the power on and off or change the color mode of all monitors at the same time.

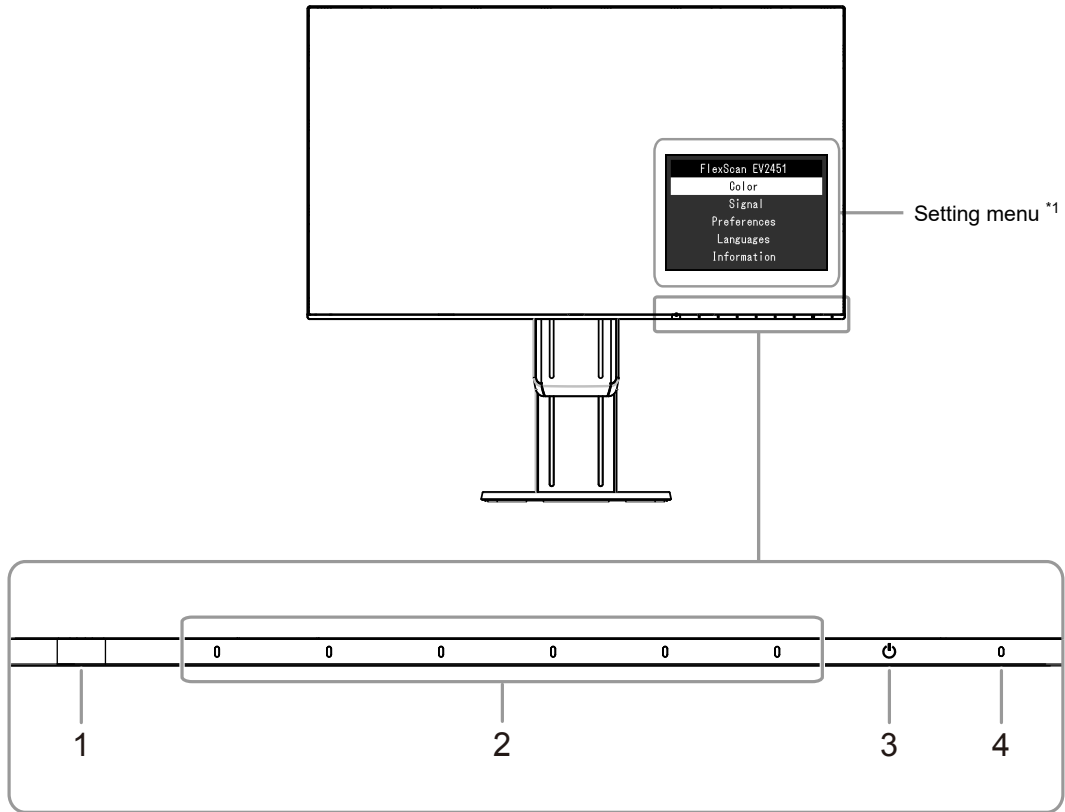
---

### Note

- Screen InStyle can be downloaded from our web site ([www.eizoglobal.com](http://www.eizoglobal.com)).
  - The Windows operating systems are only supported.
-

# 1-2. Controls and Functions

## ● Front



<b>1. Ambient light sensor</b>	Detects ambient brightness (Auto EcoView function (page 14)).
<b>2. Operation switches</b>	Displays menus. Operate the switches according to the operation guide.
<b>3. Power switch</b>	Turns the power on or off.
<b>4. Power indicator</b>	Indicates the monitor's operation status. White: Screen display Orange: Power saving mode OFF: Main power / power off

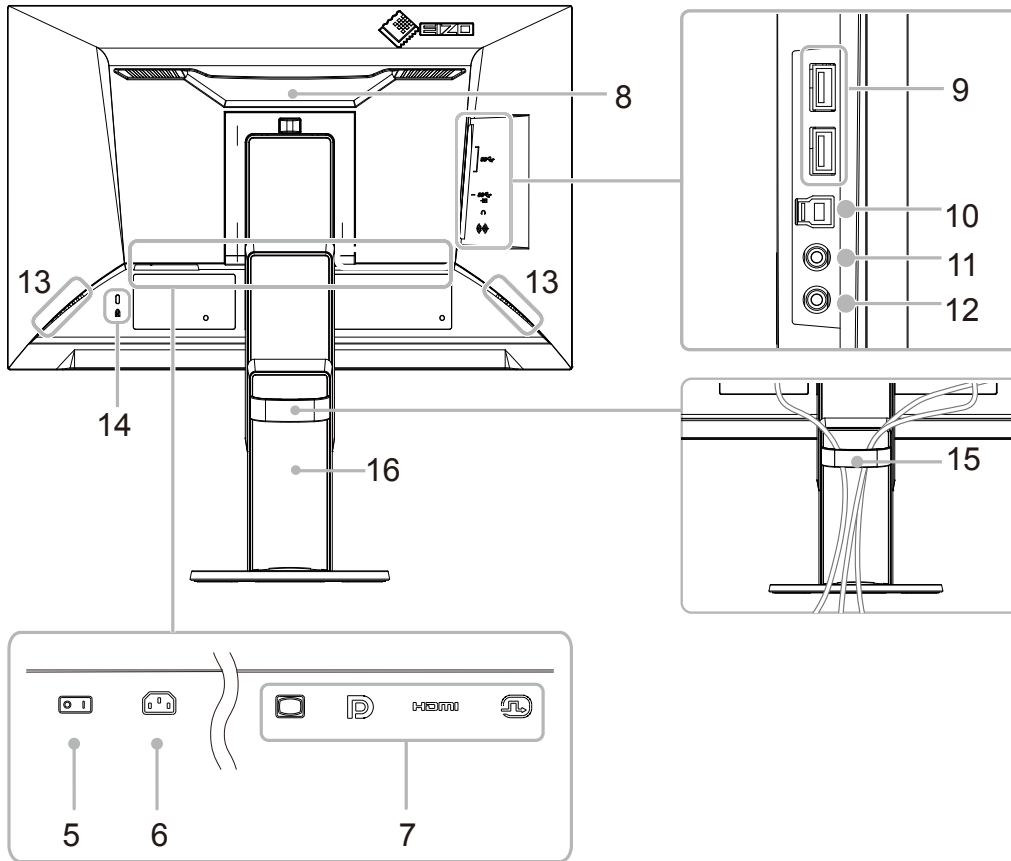
\*1 For details on usage, see "3-1. Basic Operation of the Setting menu" (page 17).

### Attention

- The operation switches and Power switch are capacitance switches that can be operated not only by touching the front part of the switch but also by touching the bezel bottom of the switch. When turning the monitor screen or changing the angle, be careful not to touch the bezel bottom of the switch.



## ● Rear



<b>5. Main power switch</b>	Turns the main power on or off.   : On, ○ : Off
<b>6. Power connector</b>	Connects the power cord.
<b>7. Input signal connectors</b>	The following connectors are available on the monitor rear in order of left to right. D-Sub mini 15-pin connector DisplayPort connector HDMI connector DVI-D connector
<b>8. Handle</b>	This handle is used for transportation
<b>9. USB downstream port</b>	Connects to a peripheral USB device.
<b>10. USB upstream port</b>	Connects to the USB cable when using software that needs a USB connection, or when using the USB Hub function.
<b>11. Headphone jack</b>	Connects to headphones.
<b>12. Stereo mini jack</b>	Connects to a stereo mini jack cable.
<b>13. Speakers</b>	Outputs audio.
<b>14. Security lock slot</b>	Complies with Kensington's MicroSaver security system.
<b>15. Cable holder</b>	Holds the monitor cables.
<b>16. Stand<sup>*2</sup></b>	Adjusts the height and angle (tilt, swivel, and rotation) of the monitor.

<sup>\*2</sup> An optional arm (or optional stand) can be attached by removing the stand section (see "6-1. Attaching the Optional Arm" (page 32)).

## 1-3. Supported Resolutions

The monitor supports the following resolutions.

Resolution	Applicable Signals	Vertical Scan Frequency	Scan Type	DisplayPort	HDMI	DVI	D-Sub
640 × 480	VGA / CEA-861	59.94Hz	Progressive	√	√	√	√
640 × 480	CEA-861	60Hz	Progressive	√	√	-	-
640 × 480	VESA	72.81Hz / 75Hz	Progressive	-	-	-	√
720 × 400	VGA TEXT	70.09Hz	Progressive	√	√	√	√
720 × 480	CEA-861	59.94Hz / 60Hz	Progressive	√	√	-	-
720 (1440) × 480	CEA-861	59.94Hz / 60Hz	Interlace	-	√	-	-
720 × 576	CEA-861	50Hz	Progressive	-	√	-	-
720 (1440) × 576	CEA-861	50Hz	Interlace	-	√	-	-
800 × 600	VESA	56.25Hz / 72.19Hz / 75Hz	Progressive	-	-	-	√
800 × 600	VESA	60.32Hz	Progressive	√	√	√	√
1024 × 768	VESA	60Hz	Progressive	√	√	√	√
1024 × 768	VESA	70.07Hz / 75.03Hz	Progressive	-	-	-	√
1280 × 720	CEA-861	50Hz	Progressive	-	√	-	-
1280 × 720	CEA-861	59.94Hz	Progressive	√	√	-	-
1280 × 720	CEA-861	60Hz	Progressive	√	√	√	√
1280 × 800	VESA CVT	59.81Hz	Progressive	√	√	√	√
1280 × 1024	VESA	60.02Hz	Progressive	√	√	√	√
1280 × 1024	VESA	75.03Hz	Progressive	-	-	-	√
1600 × 900	VESA RB	60Hz	Progressive	√	√	√	√
1680 × 1050	VESA CVT	59.95Hz	Progressive	√	√	√	√
1680 × 1050	VESA CVT RB	59.88Hz	Progressive	√	√	√	√
1920 × 1080 <sup>*1</sup>	CEA-861	50Hz / 59.94Hz / 60Hz	Interlace	-	√	-	-
1920 × 1080 <sup>*1</sup>	CEA-861	50Hz	Progressive	-	√	-	-
1920 × 1080 <sup>*1</sup>	CEA-861	59.94Hz	Progressive	√	√	-	-
1920 × 1080 <sup>*1</sup>	CEA-861	60Hz	Progressive	√	√	√	√

\*1 Recommended resolution

## 1-4. Setting the Resolution

If the resolution is incorrect after connecting the monitor to a PC or if you want to change the resolution, follow the procedure below.

### ● Windows 10

1. Right-click the mouse anywhere on the desktop except on icons.
2. From the displayed menu, click "Display Settings".
3. On the "Customize your display" dialog box, click "Advanced display settings".
4. Select a monitor, then choose a resolution from the "Resolution" pull-down menu.
5. Click the "Apply" button.
6. When a confirmation dialog box is displayed, click "Keep changes".

### ● Windows 8.1 / Windows 7

1. For Windows 8.1, click the "Desktop" tile on the Start Screen to display the desktop.
2. Right-click the mouse anywhere on the desktop except on icons.
3. From the displayed menu, click "Screen resolution".
4. Select a monitor, then choose a resolution from the "Resolution" pull-down menu.
5. Click the "OK" button.
6. When a confirmation dialog box is displayed, click "Keep changes".

### ● OS X Mountain Lion (10.8) or later

1. Select "System Preferences" from the Apple menu.
2. When the "System Preferences" dialog box is displayed, click "Displays". (For OS X Mountain Lion (10.8), click "Displays" for "Hardware".)
3. On the displayed dialog box, select the "Display" tab, then choose "Change" for "Resolutions".
4. The list of selectable resolutions is displayed. Select the desired resolution. If the desired resolution is not displayed in the list, hold down the Option key and select "Change".
5. Your selection will be reflected immediately. When you are satisfied with the selected resolution, close the window.

### ● Mac OS X 10.7

1. Select "System Preferences" from the Apple menu.
2. When the "System Preferences" dialog box is displayed, click "Displays" for "Hardware".
3. On the displayed dialog box, select the "Display" tab and select the desired resolution in the "Resolutions" field.
4. Your selection will be reflected immediately. If you are satisfied with the selected resolution, close the window.

# Chapter 2 Basic Adjustment/Setting

This monitor enables users to change the brightness according to personal preference or to suit the usage environment and reduce power consumption to conserve energy.

This chapter describes the basic functions that can be adjusted and set using the switches on the front of the monitor.

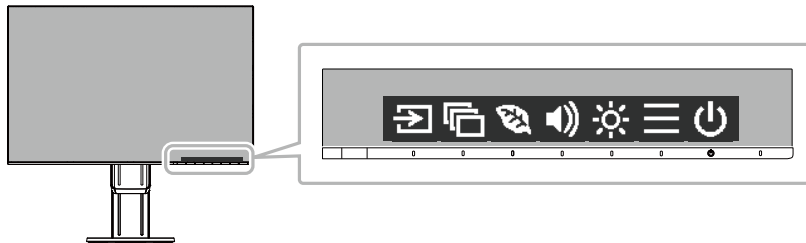
For advanced adjustment and setting procedures using the Setting menu, see “Chapter 3 Advanced Adjustment/Setting” (page 17).

## 2-1. Switch Operation Method

### 1. Displaying the operation guide

1. Touch any switch (except ) .




The operation guide appears on the screen.



### 2. Adjusting/setting


1. Touch a switch for adjustment/setting.

The Adjustment/Setting menu appears.

(A submenu may also be displayed. In this case, select the item for adjustment/setting using   and select .)

2. Perform adjustment/setting with the switches and select  to accept the changes.

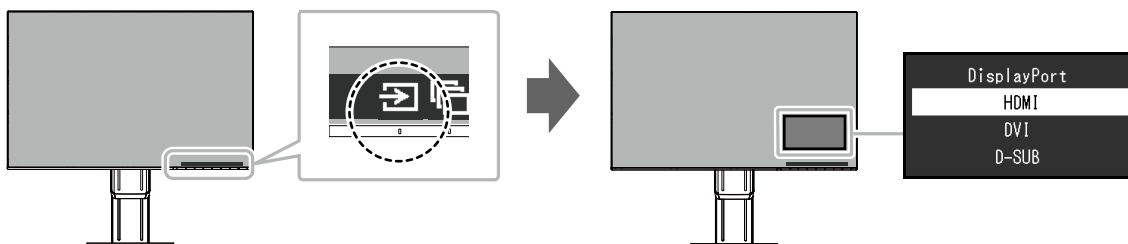
### 3. Exiting

1. Select  to exit the menu.

2. When no menu is displayed, the operation guide will automatically disappear after a few seconds if no switches are operated.

## 2-2. Switching Input Signals

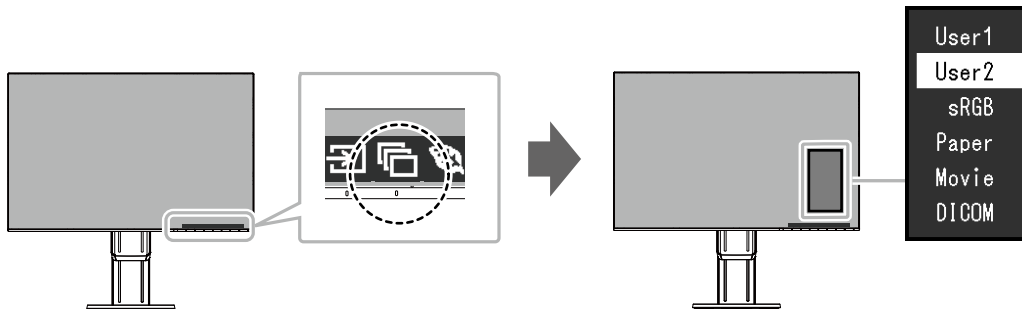
When a monitor has multiple signal inputs, the signal to display on-screen can be changed.



## 2-3. Switching Display Modes (Color Modes)

This product is preinstalled with color modes for various display purposes.

Switch the mode according to the purpose and content for display. This allows the monitor to display images in a manner appropriate to the display content.



### ● Display Modes

Color Mode	Purpose
User1 User2	Select either of these modes to set a user-defined display mode.
sRGB	This mode is suitable for matching color reproduction with peripheral devices that support sRGB, such as when printing photos taken using a digital camera.
Paper	This mode uses color tones and contrast similar to that of paper to produce a printed paper effect. It is suitable for displaying images from media such as books and documents.
Movie	This mode displays moving images brightly and with a clear-cut three-dimensional appearance. It is suitable for playing back video content.
DICOM	Select this mode to simply display medical purpose digital images based on DICOM Part 14. <b>Attention</b> <ul style="list-style-type: none"><li>• This is not intended to be used for diagnostic purposes.</li></ul>

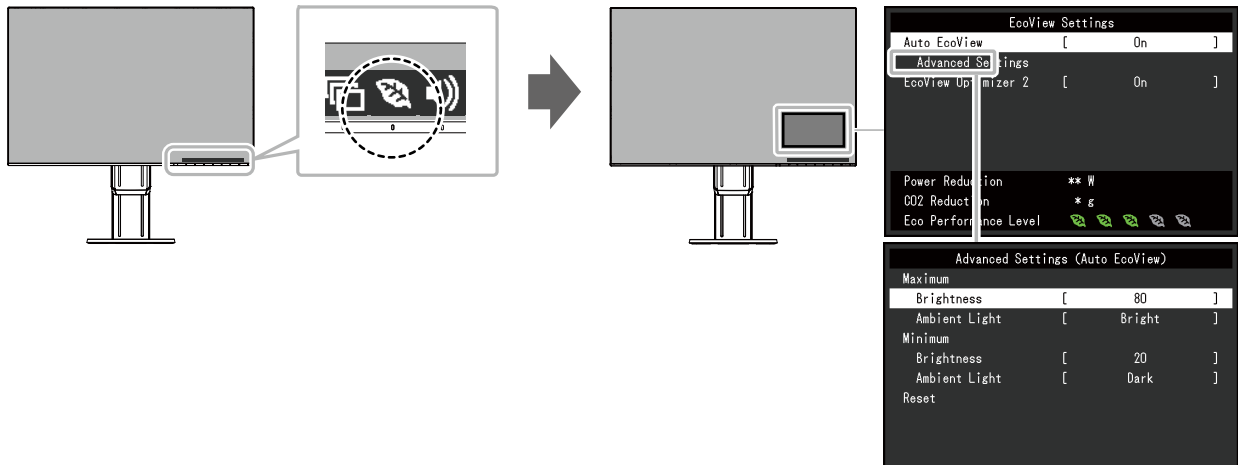
#### Note

- “Screen InStyle” allows you to select the color mode automatically according to the application in use.
- In Paper mode, the amount of blue light emitted from the screen is reduced by changing the color tone and controlling the brightness.

## 2-4. Conserving Energy


This monitor is equipped with EcoView functions to enable users to conserve energy.

Use this function to curtail unnecessary power consumption and save on electricity expenses. Saving power also reduces carbon dioxide emissions.



### Note

- The power saving level (Power Reduction, CO<sub>2</sub> Reduction, and Eco Performance Level) can be checked on the “EcoView Settings” menu. The more indicators that light up representing the Eco Performance Level, the higher the power saving level attained.
  - Power Reduction: the reduction in the backlight’s power consumption as a result of the adjusted brightness value.
  - CO<sub>2</sub> Reduction: converted from the “Power Reduction” value, this is an estimate of the quantity of CO<sub>2</sub> emissions reduced when using the monitor for 1 hour.
- The numeric value is a result of calculation based on a default setting (0.000555t-CO<sub>2</sub>/kWh) determined by a Japanese ministerial ordinance (2006, Ministry of Economy, Trade and Industry, Ministry of Environment, civil code article 3) and may differ depending on country and year.

Function	Setting Range	Description
Auto EcoView	On Off	<p>The ambient light sensor on the front of the monitor detects the ambient brightness to automatically adjust the screen brightness to a comfortable level using Auto EcoView. The power consumption of the backlight can be curtailed by adjusting the brightness to an appropriate level. This function can also mitigate eye strain and tiredness caused by a screen that is too bright or too dark.</p> <p>Use the “Advanced Settings” to set the automatic adjustment range to suit the monitor’s usage environment or personal preference.</p> <p><b>Note</b></p> <ul style="list-style-type: none"> <li>• Be careful not to block the ambient light sensor on the lower side of the monitor when using Auto EcoView.</li> <li>• Even when the Auto EcoView setting is “On”, the  operation switch on the front of the monitor or color adjustment can be used to change the “Brightness” to suit your personal preference. Moreover, the manner in which the Auto EcoView function changes brightness also differs according to the changed value.</li> <li>• When “DICOM” is selected for the color mode, the Auto EcoView setting is turned “Off”.</li> </ul>

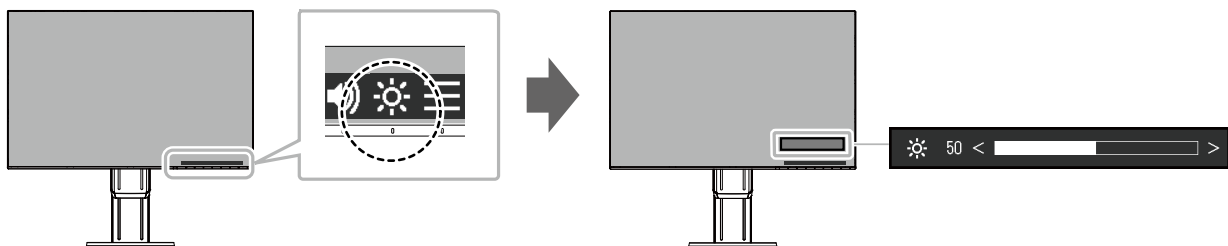
Function			Setting Range	Description
Advanced Settings	Maximum Minimum	Brightness	0 to 100	Set the range for automatic brightness adjustment. By setting the maximum value and minimum value of the adjustment range in advance, the brightness will be adjusted automatically within the set range. <b>Note</b> <ul style="list-style-type: none"><li>The maximum and minimum brightness values cannot be set to the same value.</li></ul>
		Ambient Light	Bright Standard Dark	Using the default setting is recommended. (Default setting: "Bright" for maximum value, "Dark" for minimum value) <b>Note</b> <ul style="list-style-type: none"><li>For details on the "Ambient Light" setting, refer to our web site (<a href="http://www.eizoglobal.com/i/autoecoview">www.eizoglobal.com/i/autoecoview</a>).</li></ul>
	Reset	-	Return the advanced settings to their default values.	
EcoView Optimizer 2			On Off	The monitor automatically adjusts the screen brightness according to the white level of the input signal. This function can reduce power consumption while maintaining the brightness specified by the input signal. <b>Note</b> <ul style="list-style-type: none"><li>The setting is turned "Off" in the following cases:<ul style="list-style-type: none"><li>When "Movie" or "DICOM" is selected for the color mode</li></ul></li><li>When set to "On", the appearance of pale colors may change. If this bothers you, set this function to "Off".</li></ul>

## 2-5. Adjusting Brightness

The brightness of the screen can be adjusted to suit the installation environment or personal preference. The screen brightness is adjusted by changing the brightness of the backlight (light source from the LCD back panel).

### Setting Range

0 to 100



### Note

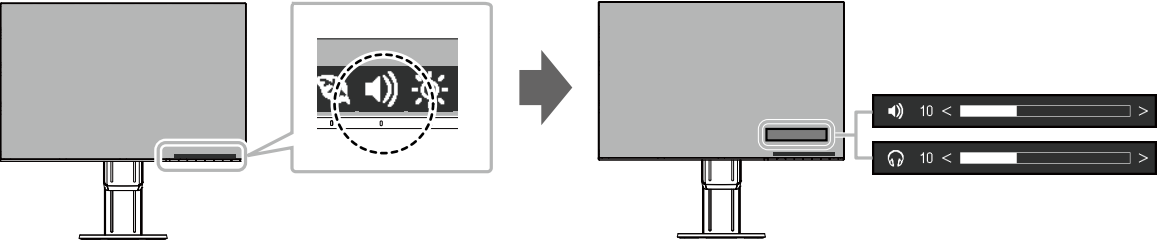
- When Auto EcoView is set to "On", the adjustment range is restricted as follows. (For details on Auto EcoView, see "Auto EcoView" (page 14).)
  - The brightness setting cannot be increased or decreased past the maximum and minimum brightness values specified in the advanced settings of Auto EcoView.
  - Brightness may not be adjusted when the installation environment of the monitor is excessively bright or dark.

# 2-6. Adjusting Volume

The volume of the speakers and headphones can be set individually.

### Setting Range

0 to 30



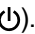



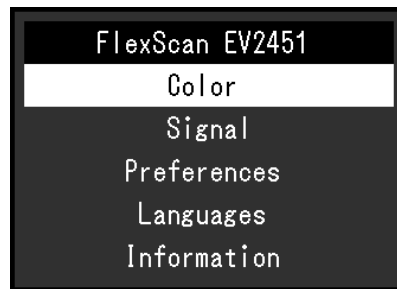
# Chapter 3 Advanced Adjustment/Setting

This chapter describes the advanced monitor adjustment and setting procedures using the Setting menu. For basic functions, see “Chapter 2 Basic Adjustment/Setting” (page 12).




## 3-1. Basic Operation of the Setting menu

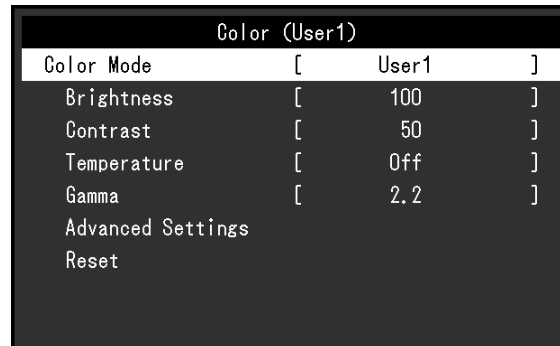
### 1. Menu display




1. Touch any switch (except ).  
The operation guide appears.
2. Select .  
The Setting menu appears.





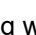



### 2. Adjusting/setting

1. Select a menu to adjust/set with   and select .
- The Sub menu appears.




2. Select an item to adjust/set with   and select .
- The Adjustment/Setting menu appears.



3. Perform adjustment/setting with   or   and select  to accept the changes.  
The Sub menu appears.  
Selecting  during adjustment/setting will cancel the adjustment/setting and restore the state prior to making changes.

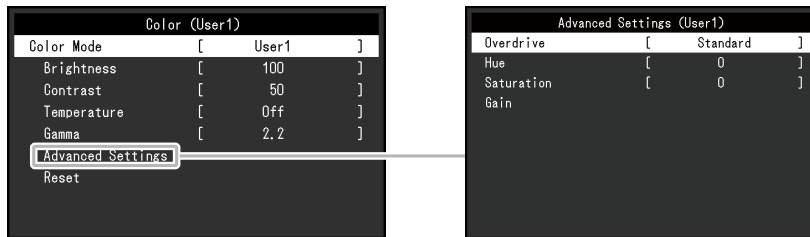
### 3. Exiting

1. Selecting  several times will terminate the Setting menu.

## 3-2. Setting Menu Functions

### ● Color Adjustment

The color mode setting status can be adjusted according to personal preference.



Functions that can be adjusted differ depending on the color mode.

√: Adjustable -: Not adjustable

Function	Color Mode				
	User1 User2	sRGB	Paper	Movie	DICOM
Brightness	√	√	√	√	-
Contrast	√	-	-	√	-
Temperature	√	-	√	√	-
Gamma	√	-	-	-	-
Advanced Settings	Overdrive	√	-	-	-
	Hue	√	-	√	-
	Saturation	√	-	√	-
	Gain	√	-	-	-
Reset	√	√	√	√	-

#### Attention

- It takes about 30 minutes for the performance of electrical parts to stabilize. Please wait 30 minutes or more after power to the monitor has been turned on before adjusting the monitor.
- The same image may be observed in different colors on multiple monitors due to monitor-specific characteristics. Make fine color adjustments visually when matching colors across multiple monitors.

Function	Setting Range	Description
Color Mode	User1 User2 sRGB Paper Movie DICOM	Select the desired mode according to the monitor application.  The color setting status can also be adjusted according to personal preference. Select the mode for adjustment and perform adjustment using the relevant functions.  <b>Note</b> <ul style="list-style-type: none"> <li>• For details on the adjustment status of each mode, see “2-3. Switching Display Modes (Color Modes)” (page 13).</li> </ul>
Brightness	0 to 100	The screen brightness is adjusted by changing the brightness of the backlight (light source from the LCD back panel).  <b>Note</b> <ul style="list-style-type: none"> <li>• If the image is too dark even when the brightness is set to 100, adjust the contrast.</li> </ul>

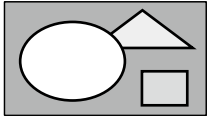
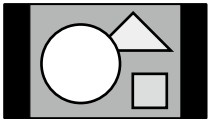

Function	Setting Range	Description
Contrast	0 to 100	<p>The brightness of the screen is adjusted by varying the video signal level.</p> <p><b>Note</b></p> <ul style="list-style-type: none"> <li>• A contrast of 50 displays every color gradation.</li> <li>• When adjusting the monitor, it is recommended to perform brightness adjustment, which does not lose gradation characteristics, prior to contrast adjustment.</li> <li>• Perform contrast adjustment in the following cases. <ul style="list-style-type: none"> <li>- If the image is too dark even when the brightness is set to 100 (Set the contrast to higher than 50.)</li> </ul> </li> </ul>
Temperature	Off 4000 K to 10000 K (in increments of 500 K. 9300 K is included.)	<p>Adjust the color temperature.</p> <p>The color temperature is normally used to express the hue of "White" and/or "Black" with a numerical value. The value is expressed in degrees "K" (Kelvin).</p> <p>The screen becomes reddish at low color temperatures and bluish at high color temperatures, similar to the temperatures of a flame. A gain preset value is set for each color temperature setting value.</p> <p><b>Note</b></p> <ul style="list-style-type: none"> <li>• The value shown in "K" is available only as a reference.</li> <li>• "Gain" allows you to perform more advanced adjustment.</li> <li>• If set to "Off", the image is displayed in the preset color of the monitor (Gain: 100 for each RGB channel).</li> <li>• When the gain is changed, the color temperature setting changes to "Off".</li> </ul>
Gamma	1.8 2.0 2.2 2.4	<p>Adjust the gamma.</p> <p>While the brightness of the monitor varies depending on the input signal, the variation rate is not proportional to the input signal. Maintaining the balance between the input signal and brightness of the monitor is referred to as "Gamma correction".</p> <p><b>Note</b></p> <ul style="list-style-type: none"> <li>• If "sRGB" is selected for the color mode, "sRGB" is displayed for the gamma value.</li> <li>• If "Paper" is selected for the color mode, "Paper" is displayed for the gamma value.</li> <li>• If "DICOM" is selected for the color mode, "DICOM" is displayed for the gamma value.</li> </ul>

Function		Setting Range	Description
Advanced Settings	Overdrive	Enhanced Standard Off	<p>This function allows you to set the overdrive intensity based on the use of the monitor. Image lag can be reduced by using the “Enhanced” setting when displaying moving images.</p> <p><b>Attention</b></p> <ul style="list-style-type: none"> <li>Depending on the combination of “Picture Expansion” (page 21) setting and resolution, this function may not work.</li> </ul>
	Hue	-50 to 50	<p>Adjust the hue.</p> <p><b>Note</b></p> <ul style="list-style-type: none"> <li>Using this function may prevent some color gradations from being able to be displayed.</li> </ul>
	Saturation	-50 to 50	<p>Adjust the color saturation.</p> <p><b>Note</b></p> <ul style="list-style-type: none"> <li>Using this function may prevent some color gradations from being able to be displayed.</li> <li>The minimum value (-50) changes the screen to monochrome.</li> </ul>
	Gain	0 to 100	<p>The brightness of each red, green, and blue color component is referred to as “Gain”. The hue of “white” can be changed by adjusting the gain.</p> <p><b>Note</b></p> <ul style="list-style-type: none"> <li>Using this function may prevent some color gradations from being able to be displayed.</li> <li>The gain value changes according to the color temperature.</li> <li>When the gain is changed, the color temperature setting changes to “Off”.</li> </ul>
Reset		-	Reset any color adjustments for the currently selected color mode back to the default settings.

## ● Signal Settings

Set the method for outputting the signal input from the PC to the monitor.



Function	Setting Range	Description
Picture Expansion	Auto *1 Full Screen Aspect Ratio Dot by Dot	<p>The screen size of the monitor display can be changed.</p> <ul style="list-style-type: none"> <li>• “Auto” The monitor automatically changes the screen size according to the aspect ratio and resolution information from the PC.</li> <li>• “Full Screen” Images are stretched to full screen. Since aspect ratios are not maintained, images may be distorted in some cases.</li> <li>• “Aspect Ratio” Images are enlarged to full screen without changing the aspect ratio. Since aspect ratios are maintained, blank horizontal or vertical borders may appear.</li> <li>• “Dot by Dot” Displays the image at the set resolution or size specified by the input signal.</li> </ul> <p><b>Note</b></p> <ul style="list-style-type: none"> <li>• Example settings</li> </ul> <ul style="list-style-type: none"> <li>- Full Screen </li> <li>- Aspect Ratio </li> <li>- Dot by Dot </li> </ul>

\*1 Only enabled when input signal information according to which the setting can be automatically determined is detected during HDMI input

Function	Setting Range	Description
Sharpness	2 to -2	<p>When a low-resolution image is displayed in “Full Screen” or “Aspect Ratio” mode, text or lines in the displayed image may be blurred. This function reduces this blurring effect.</p> <p><b>Note</b></p> <ul style="list-style-type: none"> <li>• The sharpening setting may not be required depending on the display resolution. (“Sharpness” cannot be selected in such cases.)</li> </ul>

Function	Setting Range	Description
Input Color Format	Auto <sup>*2</sup> YUV 4:2:2 <sup>*3</sup> YUV 4:4:4 <sup>*3</sup> YUV <sup>*4</sup> RGB	The color format of the input signal can be specified. Try changing this setting if colors are not displayed correctly. <b>Note</b> <ul style="list-style-type: none"> <li>This can only be set during DisplayPort or HDMI input.</li> <li>This setting is required when a DVI device is connected to the monitor via the HDMI connector port using a DVI-HDMI conversion connector.</li> <li>This setting is fixed to "RGB" when receiving a DVI signal from the DVI connector.</li> </ul>

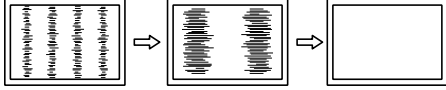
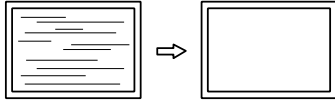
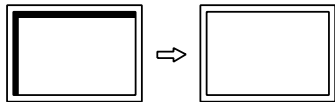
\*2 Only enabled when input signal information according to which the setting can be automatically determined is detected

\*3 Only enabled during HDMI input

\*4 Only enabled during DisplayPort input

Function	Setting Range	Description
Input Range	Auto Full Limited	Depending on the PC, black and white of the video level of the signal output to the monitor may be limited. If a limited signal is displayed on the monitor, black will appear faint and white will appear dull, leading to a reduction in contrast. The output range of such signals can be extended to match the actual contrast ratio of the monitor. <ul style="list-style-type: none"> <li>"Auto" Automatically identifies the brightness range of the input signal and displays the image accordingly.</li> <li>"Full" Extension of the signal output range is not performed.</li> <li>"Limited" Extends the signal output range through 0 to 255 and displays the image.</li> </ul> <b>Note</b> <ul style="list-style-type: none"> <li>This can only be set during DisplayPort or HDMI input.</li> <li>This setting is fixed to "Full" for DVI signal input.</li> </ul>

Function	Description
Analog Adjustment <sup>*5</sup> Auto Screen Adjust	Screen flickering, display position, and size can be adjusted automatically. Selecting "Auto Screen Adjust" displays a message. Select "Yes" to enable this function. <b>Note</b> <ul style="list-style-type: none"> <li>The automatic screen adjustment function works correctly when an image is fully displayed over the entire displayable area of the screen. It does not work properly in the following cases: <ul style="list-style-type: none"> <li>- When an image is only displayed on part of the screen (command prompt window, for example)</li> <li>- When a black background (wallpaper, etc.) is used</li> </ul> </li> <li>Also, this function may not work properly with some graphic boards.</li> <li>When a signal is input into the monitor for the first time or when a resolution or vertical/horizontal scan frequency not used before is set, adjustment is performed automatically (only for signals with a resolution of 800×600 (SVGA) or higher).</li> </ul>

Function		Description
Auto Range Adjust		Every color gradation (0 to 255) can be displayed by automatically adjusting the signal output level. Selecting "Auto Range Adjust" displays a message. Select "Yes" to enable this function.
Clock		<p>Flickering of vertical lines on the screen or part of the screen can be reduced.</p>  <p><b>Note</b></p> <ul style="list-style-type: none"> <li>Use the operation switches (&lt; &gt;) to make fine adjustments so as not to miss any adjustment points.</li> </ul>
Phase		<p>Flickering and blurring over the entire screen can be reduced.</p>  <p><b>Note</b></p> <ul style="list-style-type: none"> <li>Flickering and blurring may not be completely eliminated depending on your PC or graphics board.</li> <li>After setting, adjust the "Clock" again if vertical bars appear.</li> </ul>
Hor. Position Ver. Position		<p>The display position (horizontal and vertical) of the screen can be adjusted.</p>  <p><b>Note</b></p> <ul style="list-style-type: none"> <li>Since the number of pixels and pixel positions are fixed on the LCD monitor, only one position is provided to display images correctly. Position adjustment is made to shift an image to the correct position.</li> </ul>

\*5 Only enabled during D-sub input

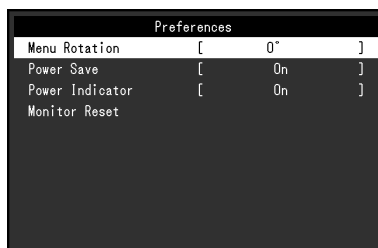
Function	Setting Range	Description
Sound Source	Stereo Mini Jack DisplayPort *6 HDMI *7	<p>The audio source can be changed when receiving DisplayPort signal input or HDMI signal input.</p> <p><b>Note</b></p> <ul style="list-style-type: none"> <li>This setting is fixed to "Stereo Mini Jack" when receiving DVI signal input, HDMI (PC signal) input, or D-Sub signal input.</li> </ul>

\*6 Only enabled during DisplayPort input

\*7 Only enabled during HDMI (video signal) input

## ● Preference Settings

The monitor's settings can be configured to suit the usage environment or personal preference.



Function	Setting Range	Description
Menu Rotation	0° 90° 270°	<p>Change the orientation of the Setting menu when using the monitor screen in the portrait display position.</p> <p><b>Note</b></p> <ul style="list-style-type: none"> <li>• Make sure that the cables are correctly connected.</li> <li>• PC settings must be configured to use the monitor in a portrait position.</li> <li>• The menu cannot be rotated by 180°. To install the monitor rotated by 180°, perform monitor adjustment/settings before rotating the monitor.</li> </ul>
Power Save	On Off	<p>The monitor can be set to enter power saving mode according to the state of the PC.</p> <p>The monitor changes to power saving mode about 15 seconds after signal input ceases to be detected.</p> <p>When the monitor has shifted to power saving mode, images are not displayed on the screen.</p> <ul style="list-style-type: none"> <li>• Exiting power saving mode <ul style="list-style-type: none"> <li>- If the monitor receives input, it automatically exits power saving mode and returns to the normal display mode.</li> </ul> </li> </ul> <p><b>Note</b></p> <ul style="list-style-type: none"> <li>• At the time of shifting to power saving mode, a message that indicates the transition is displayed 5 seconds in advance.</li> <li>• When not using the monitor, you can turn off the main power supply or disconnect the power plug so that the power is cut completely.</li> <li>• When the monitor is in power saving mode, devices connected to the USB downstream port will still work. Therefore, power consumption of the monitor varies with connected devices even in power saving mode.</li> <li>• Power consumption varies even when the stereo mini jack cable is connected.</li> </ul>
Power Indicator	On Off	<p>The power indicator (white) can be turned off during screen display.</p>
Monitor Reset	-	<p>Restore all settings to their default values except for the following settings.</p> <ul style="list-style-type: none"> <li>• Settings on the "Administrator Settings" menu</li> </ul> <p><b>Note</b></p> <ul style="list-style-type: none"> <li>• For details on default settings, see "<a href="#">Main Default Settings</a>" (page 40).</li> </ul>



## ● Language

The display language for menus and messages can be selected.

### Setting Range

English, Deutsch, Français, Español, Italiano, Svenska, Japanese, Simplified Chinese, Traditional Chinese



---

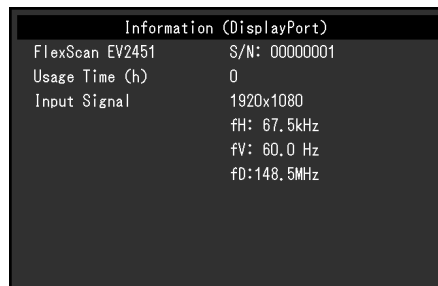
### **Attention**

- The display language of the "Administrator Settings" menu cannot be changed.
- 

## ● Information

Monitor information (product name, serial number, usage time, resolution, and input signal) can be checked.

Example:


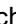


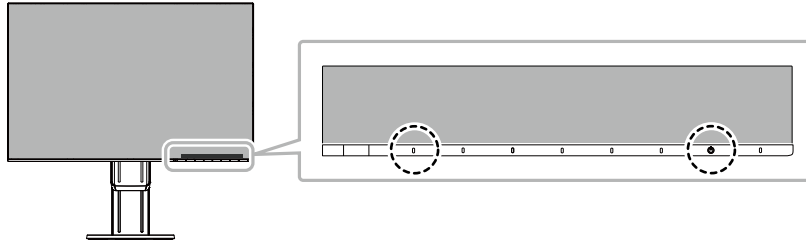
# Chapter 4 Administrator Settings

This chapter describes how to configure monitor operation using the “Administrator Settings” menu. This menu is for administrators. Configuration on this menu is not required for normal monitor use.

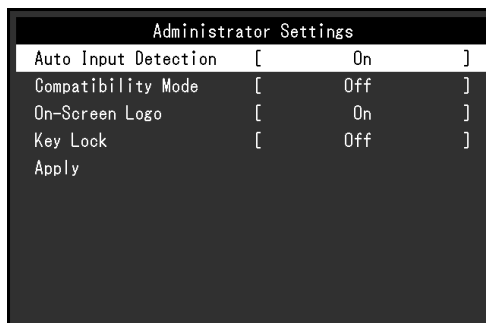
## 4-1. Basic Operation of the “Administrator Settings” Menu

### 1. Menu display




1. Touch  to turn off the monitor.
2. While touching the leftmost switch, touch  for more than 2 seconds to turn on the monitor.

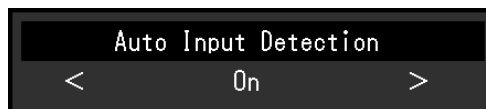





The “Administrator Settings” menu appears.




### 2. Setting

1. Select an item to set with   and select .
- The Adjustment/Setting menu appears.



2. Set with   and select .
- The “Administrator Settings” menu appears.

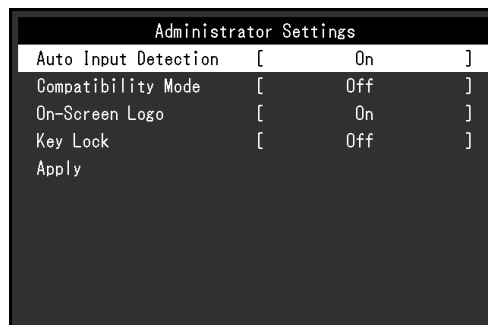
### 3. Applying and exiting



1. Select “Apply” and then .
- The settings are applied and the “Administrator Settings” menu exits.

#### Attention

- The language (English) of the “Administrator Settings” menu cannot be changed.


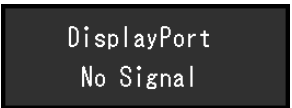

## 4-2. Functions of the “Administrator Settings” Menu









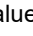



Function	Setting Range	Description
Auto Input Detection	On Off	<p>This function automatically recognizes the connector through which PC signals are input, and displays images on the screen accordingly.</p> <ul style="list-style-type: none"> <li>• “On” When the monitor is connected to multiple PCs, if a specific PC enters power saving mode or no signals are input to the monitor, the connector is automatically changed to another one to which signals are input.</li> <li>• “Off” This function displays the signal from the selected connector regardless of whether a signal is input or not. In this case, you can select the input signal to display using the  operation switch on the front of the monitor. For details, see <a href="#">“2-2. Switching Input Signals” (page 12)</a>.</li> </ul> <p><b>Note</b></p> <ul style="list-style-type: none"> <li>• This product automatically recognizes the connector through which PC signals are input, and displays images on the screen accordingly regardless of whether this function is set to On or Off just after the main power switch on the rear side of the monitor has been turned on.</li> <li>• When this function is set to “On”, the monitor only enters power saving mode after all connected PCs have entered power saving mode or have been switched off.</li> </ul>
Compatibility Mode	On Off	<p>When the monitor power is turned off/on with a PC connected via the DisplayPort connector, window and icon positions may have shifted or the image may not be displayed normally. If this happens, set this function to “On”.</p>
On-Screen Logo	On Off	<p>When the monitor is turned on, the EIZO logo appears on the screen.</p> <p>When this function is set to “Off”, the EIZO logo does not appear.</p>
Key Lock	Off Menu All	<p>In order to prevent changes to settings, the operation switches on the front of the monitor can be locked.</p> <ul style="list-style-type: none"> <li>• “Off” Enable all switches.</li> <li>• “Menu” Lock the  switch.</li> <li>• “All” Lock all switches except the power switch.</li> </ul>

# Chapter 5 Troubleshooting

## 5-1. No Picture




Problem	Possible cause and remedy
<b>1. No picture</b> <ul style="list-style-type: none"> <li>Power indicator does not light up.</li> </ul>	<ul style="list-style-type: none"> <li>Check whether the power cord is connected properly.</li> <li>Turn on the main power switch on the rear side of the monitor.</li> <li>Touch .</li> <li>Turn off the main power switch on the rear side of the monitor, and then turn it on again a few minutes later.</li> </ul>
<ul style="list-style-type: none"> <li>Power indicator is lighting white.</li> </ul>	<ul style="list-style-type: none"> <li>Increase “Brightness”, “Contrast”, or “Gain” in the Setting menu (see <a href="#">“Color Adjustment” (page 18)</a>).</li> </ul>
<ul style="list-style-type: none"> <li>Power indicator is lighting orange.</li> </ul>	<ul style="list-style-type: none"> <li>Switch the input signal.</li> <li>Move the mouse or press any key on the keyboard.</li> <li>Check whether the PC is turned on.</li> <li>Turn off the main power switch on the rear side of the monitor, and then turn it on again.</li> </ul>
<ul style="list-style-type: none"> <li>Power indicator is flashing orange and white.</li> </ul>	<ul style="list-style-type: none"> <li>This symptom may occur when the PC is connected to the DisplayPort connector. Use a signal cable recommended by us for the connection. Turn the monitor off and on.</li> </ul>
<b>2. The message below appears.</b>	This message appears when the signal is not input correctly even though the monitor is functioning properly.
<ul style="list-style-type: none"> <li>This message appears when no signal is input. Example: </li> </ul>	<ul style="list-style-type: none"> <li>The message shown left may appear, because some PCs do not output the signal immediately after power-on.</li> <li>Check whether the PC is turned on.</li> <li>Check whether the signal cable is connected properly.</li> <li>Switch the input signal.</li> <li>Turn off the main power switch on the rear side of the monitor, and then turn it on again.</li> </ul>
<ul style="list-style-type: none"> <li>The message shows that the input signal is out of the specified frequency range. Example: </li> </ul>	<ul style="list-style-type: none"> <li>Check whether the PC is configured to meet the resolution and vertical scan frequency requirements of the monitor (see <a href="#">“1-3. Supported Resolutions” (page 10)</a>).</li> <li>Reboot the PC.</li> <li>Select an appropriate setting using the graphics board’s utility. Refer to the User’s Manual of the graphics board for details.</li> </ul>

## 5-2. Imaging Problems (For Both Digital and Analog)

Problem	Possible cause and remedy
<p><b>1. The screen is too bright or too dark.</b></p>	<ul style="list-style-type: none"> <li>Use “Brightness” or “Contrast” in the Setting menu to adjust it (see <a href="#">“Color Adjustment” (page 18)</a>). (The LCD monitor backlight has a limited life span. If the screen becomes dark or begins to flicker, contact your local EIZO representative.)</li> <li>If the screen is too bright, try changing the Auto EcoView setting to “On”. The monitor detects the ambient brightness to adjust the screen brightness automatically (see <a href="#">“Auto EcoView” (page 14)</a>).</li> </ul>
<p><b>2. “Brightness” cannot be adjusted</b></p> <ul style="list-style-type: none"> <li>Cannot increase/decrease setting value (“” or “” is displayed in gray) <ul style="list-style-type: none"> <li>“Brightness” adjustment menu via  operation switch</li> </ul>  <ul style="list-style-type: none"> <li>“Brightness” adjustment menu in color adjustment</li> </ul>  </li> <li>Cannot increase/decrease setting value (“” and “” are displayed in gray) <ul style="list-style-type: none"> <li>“Brightness” adjustment menu via  operation switch</li> </ul>  <ul style="list-style-type: none"> <li>“Brightness” adjustment menu in color adjustment</li> </ul>  </li> </ul>	<p>When Auto EcoView is set to “On”, “Brightness” may not be adjustable due to the advanced settings of Auto EcoView.</p> <ul style="list-style-type: none"> <li>The bright adjustment range of the Auto EcoView function can be limited to ensure that the screen is neither too bright nor too dark. When the adjustment range is limited, values outside the range cannot be set. If you want to set a value outside the range, try changing the following settings. <ul style="list-style-type: none"> <li>Change the maximum and minimum values for “Brightness” in the Auto EcoView advanced settings.</li> <li>Set Auto EcoView to “Off”.</li> </ul> For details on Auto EcoView settings, see <a href="#">“Auto EcoView” (page 14)</a>. </li> <li>Brightness adjustment may not be possible when the installation environment of the monitor is excessively bright or dark. In this case, try changing the following settings. <ul style="list-style-type: none"> <li>Change the maximum and minimum values for “Ambient Light” in the Auto EcoView advanced settings.</li> <li>Set Auto EcoView to “Off”.</li> </ul> For details on Auto EcoView settings, see <a href="#">“Auto EcoView” (page 14)</a>. </li> </ul>
<p><b>3. Text is blurred</b></p>	<ul style="list-style-type: none"> <li>Check whether the PC is configured to meet the resolution and vertical scan frequency requirements of the monitor (see <a href="#">“1-3. Supported Resolutions” (page 10)</a>).</li> <li>When an image is displayed with a resolution other than recommended, text or lines in the displayed image may blur. In this case, try adjusting “Sharpness” in the Setting menu (see <a href="#">“Sharpness” (page 21)</a>).</li> </ul>
<p><b>4. Afterimages appear</b></p>	<ul style="list-style-type: none"> <li>Afterimages are particular to LCD monitors. Avoid displaying the same image for a long time.</li> <li>Use the screen saver or power saving function to avoid displaying the same image for extended periods of time. Depending on the image, an afterimage may appear even if it was displayed for a short period of time. To remove such a phenomenon, change the image or keep the power turned off for several hours.</li> </ul>
<p><b>5. Green / red / blue / white dots or dark dots remain on the screen.</b></p>	<ul style="list-style-type: none"> <li>This is due to LCD panel characteristics and not a malfunction.</li> </ul>
<p><b>6. Interference patterns or pressure marks remain on the screen.</b></p>	<ul style="list-style-type: none"> <li>Leave the monitor with a white or black screen. The symptom may disappear.</li> </ul>

Problem	Possible cause and remedy
7. Noise appears on the screen.	<ul style="list-style-type: none"> <li>In the Setting menu, set “Overdrive” to “Off” (see <a href="#">“Overdrive” (page 20)</a>).</li> <li>When inputting HDCP system signals, normal images may not be displayed immediately.</li> </ul>
8. (DisplayPort signal input) When you switch the power back on or return from power save mode, windows or icons may have shifted position.	<ul style="list-style-type: none"> <li>Turn the setting “On” for “Compatibility Mode” on the “Administrator Settings” menu (see <a href="#">“Compatibility Mode” (page 27)</a>).</li> </ul>
9. (DisplayPort or HDMI input) The color shown on the screen is not correct.	<ul style="list-style-type: none"> <li>Try changing “Input Color Format” in the Setting menu (see <a href="#">“Input Color Format” (page 22)</a>).</li> </ul>
10. The image does not display on the entire screen.	<ul style="list-style-type: none"> <li>Try changing “Picture Expansion” in the Setting menu (see <a href="#">“Picture Expansion” (page 21)</a>).</li> </ul>

## 5-3. Imaging Problems (For Analog Only)

Problem	Possible cause and remedy
1. Display position is incorrect. 	<ul style="list-style-type: none"> <li>Use “Position” in the Setting menu to correct the image position (see <a href="#">“Hor. Position”</a>, <a href="#">“Ver. Position” (page 23)</a>).</li> <li>If the problem persists, use the graphics board’s utility if available to change the display position.</li> </ul>
2. Vertical bars appear on the screen or a part of the image is flickering. 	<ul style="list-style-type: none"> <li>Use “Clock” in the Setting menu to adjust it (see <a href="#">“Clock” (page 23)</a>).</li> </ul>
3. Whole screen is flickering or blurring. 	<ul style="list-style-type: none"> <li>Use “Phase” in the Setting menu to adjust it (see <a href="#">“Phase” (page 23)</a>).</li> </ul>

## 5-4. Other Problems

Problem	Possible cause and remedy
1. The Setting menu does not appear.	<ul style="list-style-type: none"> <li>• Check whether the switch operation lock function is active (see “Key Lock” (page 27)).</li> </ul>
2. No audio output.	<ul style="list-style-type: none"> <li>• Check whether the stereo mini jack cable is connected properly.</li> <li>• Check whether volume is set to 0.</li> <li>• Check the PC and audio playback software to see whether they are configured correctly.</li> <li>• Check the “Sound Source” setting when using DisplayPort input or HDMI input (see “Sound Source” (page 23)).</li> </ul>
3. USB devices connected to the monitor do not work.	<ul style="list-style-type: none"> <li>• Check whether the USB cable is connected correctly (see “6-5. Making Use of USB (Universal Serial Bus)” (page 38)).</li> <li>• Try using a different USB port on the monitor.</li> <li>• Try using a different USB port on the PC.</li> <li>• Reboot the PC.</li> <li>• If the peripheral devices work correctly when they are directly connected to the PC, contact your local EIZO representative.</li> <li>• Check whether the PC and OS are USB compliant. (For USB compliance of the respective devices, consult their manufacturers.)</li> <li>• Depending on the USB 3.0 host controller that you are using, connected USB devices may not be recognized correctly. Update to the latest USB 3.0 driver provided by each manufacturer, or connect the monitor to the USB 2.0 port.</li> <li>• Check the PC’s BIOS setting for USB when using Windows. (Refer to the manual of the PC for details.)</li> </ul>
4. Power indicator is flashing orange and white.	<ul style="list-style-type: none"> <li>• This symptom may occur when the PC is connected to the DisplayPort connector. Use a signal cable recommended by us for the connection. Turn the monitor off and on.</li> <li>• Check the connection and condition of the USB devices connected to the monitor.</li> <li>• Turn off the main power switch on the rear side of the monitor, and then turn it on again.</li> </ul>

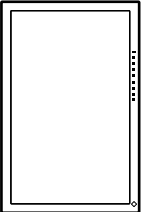
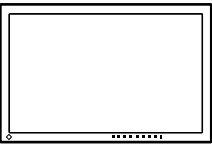
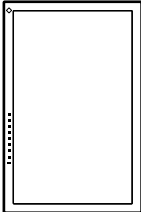
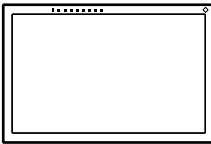
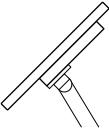
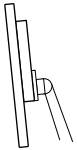
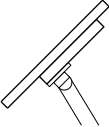
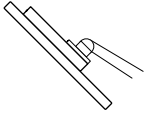
# Chapter 6 Reference

## 6-1. Attaching the Optional Arm

An optional arm (or an optional stand) can be attached by removing the stand section. Please refer to our web site for the supported optional arm (or optional stand). [www.eizoglobal.com](http://www.eizoglobal.com)

**Attention**

- When attaching an arm or stand, follow the instructions of the respective User's Manual.
- When using another manufacturer's arm or stand, confirm the following in advance and select one conforming to the VESA standard. Use the VESA mounting screws supplied with this product when attaching the arm or stand.
  - Clearance between screw holes: 100 mm × 100 mm
  - VESA mount of the arm or stand, external dimensions: 122 mm x 122 mm or less
  - Plate thickness: 2.6 mm
  - Strong enough to support weight of the monitor unit (excluding the stand) and attachments such as cables.
- When attaching an arm or stand, the installable orientations and movement range (tilt angle) are as follows:

Orientation					 *1
Movement range (tilt angle)	Without edge support	 Up: 45°		 Down: 5°	
	With edge support	 Up: 45°		 Down: 45° *2	

\*1 When installed in this orientation, periodically clean the area around the power connector. Dust, water, or oil adhered to this area may result in fire.

\*2 When installing at a downward angle of between 5° and 45°, the warranty is valid only if an edge support has been attached. Not using an edge support when installed in these positions may lead to the front panel of the monitor coming off.

If you require an edge support, please contact the EIZO group company or distributor in your country or territory. [www.eizoglobal.com/contact/](http://www.eizoglobal.com/contact/)

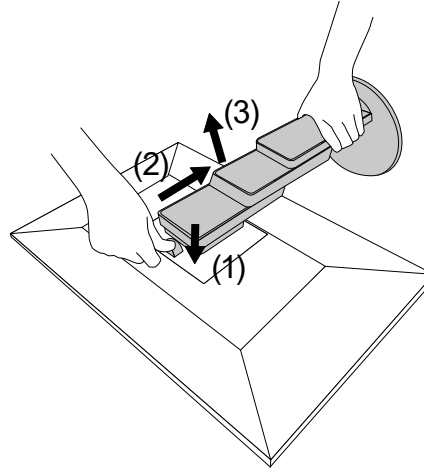
- Connect the cables after attaching an arm or stand.
- Do not move the removed stand up and down. Doing so may result in injury or device damage.
- The monitor, arm, and stand are heavy. Dropping them may result in injury or equipment damage.



## ● Attaching the Optional Arm (or Optional Stand)

1. Lay the LCD monitor on a soft cloth spread over a stable and flat surface with the panel surface facing down.
2. Remove the stand.

As shown in the figure, while holding down the lock button (1), slide the stand toward the stand base until it touches the stand base (2). Then, lift the stand up (3).



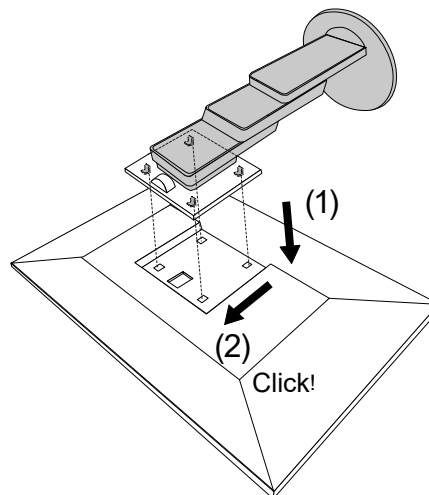
3. Attach the arm or stand to the monitor.

Use the VESA mounting screws supplied with this product when attaching the arm or stand.

## ● Attaching the original stand

1. Remove the fixing screws on the optional arm (or optional stand), and detach the optional arm (or optional stand).
2. To prevent damaging the panel surface, lay the monitor with its panel surface facing down on a soft cloth spread on a stable surface.
3. Attach the original stand.

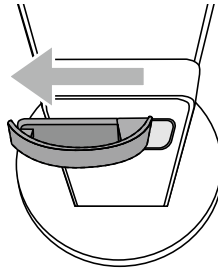
As shown below, insert the four tabs on the stand into the square holes on the back panel (1) and slide the stand towards the upper portion of the monitor until it makes a clicking sound (2).



## 6-2. Detaching / Attaching the Cable Holder

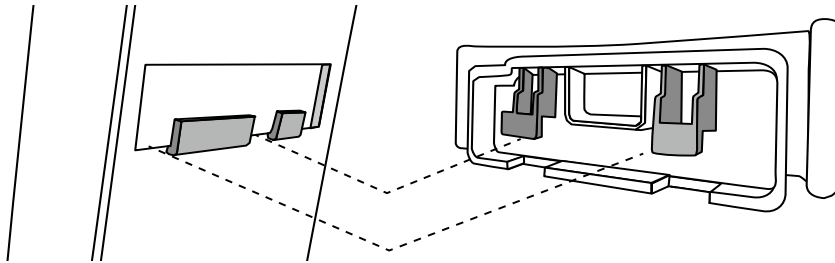
### ● Detaching the cable holder

1. Slide the cable holder to the left, and detach it from the stand.

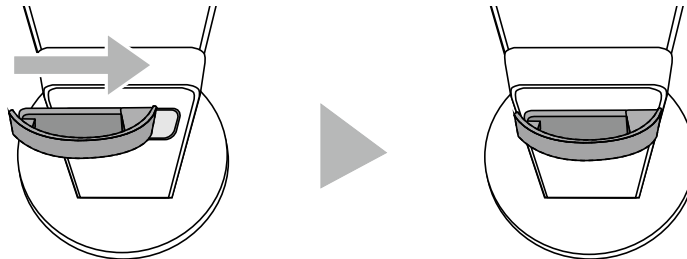


### ● Attaching the cable holder

1. Align the tabs of the cable holder with the attachment parts of the stand.

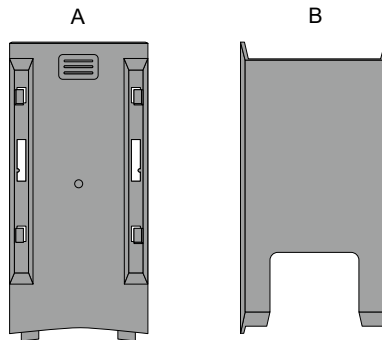


2. Slide the cable holder to the right, and attach it to the stand.

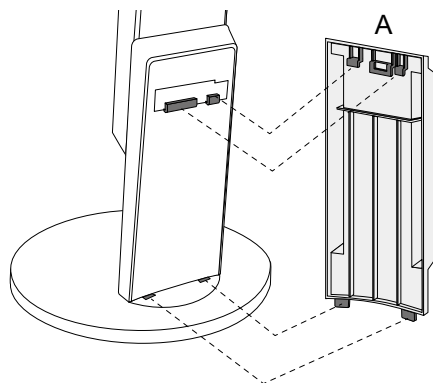


## 6-3. Detaching / Attaching the Cable Cover

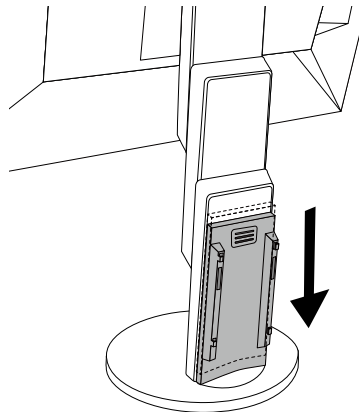
### ● Attaching the cable cover



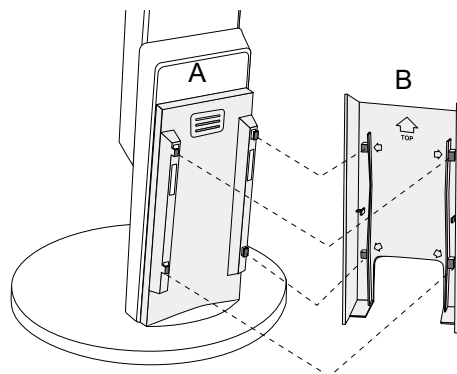
1. Align the tabs of (A) with the attachment parts of the stand.



2. Slide (A) downward to secure the tabs to the attachment parts of the stand.

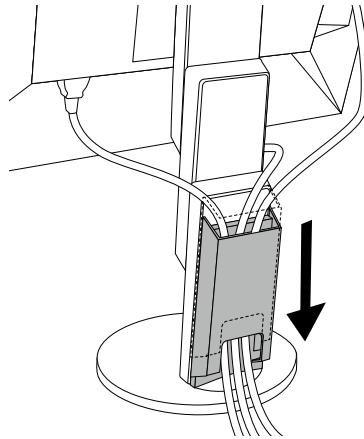


3. Check the tabs of (B) (four locations indicated by ◻) and the attachment locations of (A).



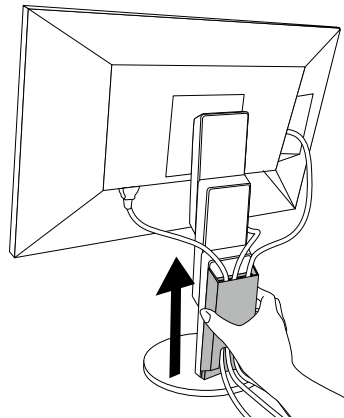
4. Pass the cables between (A) and (B), and align (B) with (A) to fit in.


5. Slide (B) downward and secure it to (A).

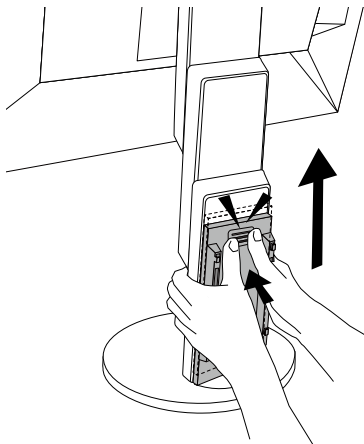


## ● Detaching the cable cover

1. Slide (B) upward, and detach it from (A).



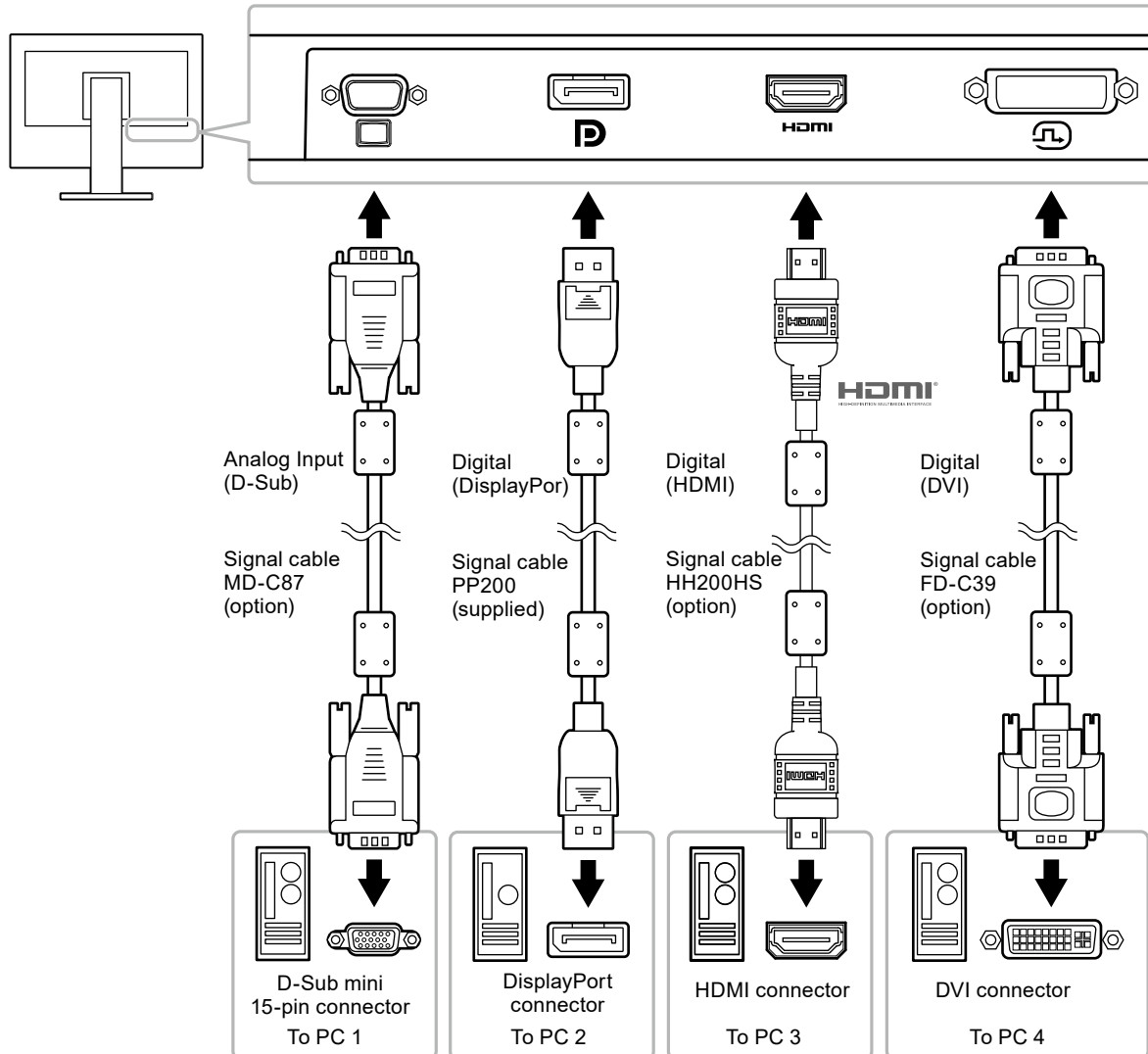
2. While holding down  of (A) lightly, slide (A) upward to detach it from the stand.




## 6-4. Connecting Multiple PCs

This product can be connected to multiple PCs and allows you to switch between the connections for display.

### ● Connection examples



#### Note

- You can select the input signal to display using the  operation switch on the front of the monitor. For details, see “2-2. Switching Input Signals” (page 12).
- This product provides a function that automatically recognizes the connector through which PC signals are input, and displays images on the screen accordingly. For details, see “Auto Input Detection” (page 27).

## 6-5. Making Use of USB (Universal Serial Bus)

This monitor is equipped with a USB hub. It functions as a USB hub when connected to a USB-compatible PC, allowing the connection of peripheral USB devices.

### Note

- This product supports USB 3.0. When connecting to peripheral devices that support USB 3.0, high-speed data communication is possible (however, only when the USB cable used to connect the PC and peripheral device is USB 3.0 compliant).

### ● Required System Environment

- A PC equipped with a USB port
- USB cable

### Attention

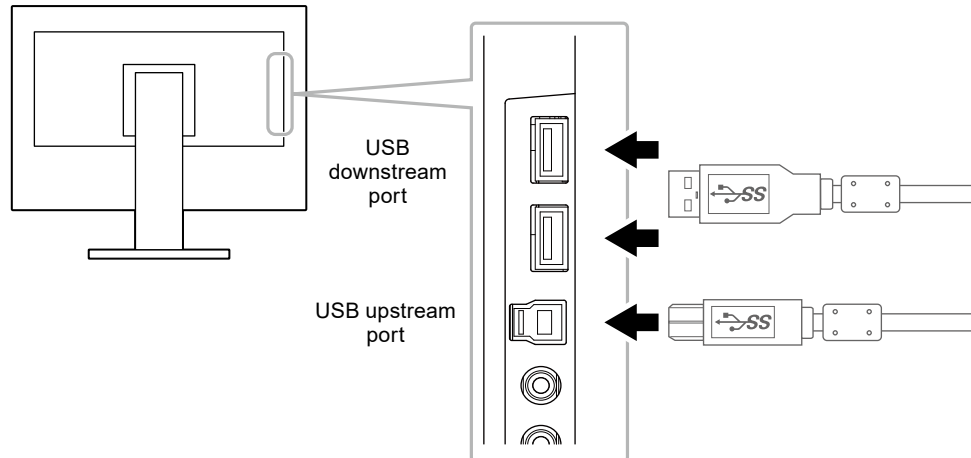
- This monitor may not work depending on the PC, OS, or peripheral devices to be used. For USB compatibility of peripheral devices, contact their manufacturers.
- Even when the monitor is in power saving mode, devices connected to the USB downstream port will still work. Therefore, power consumption of the monitor varies with connected devices even in power saving mode.
- When the main power of the monitor is off, a device connected to the USB downstream port will not operate.

### ● Connection Procedure (Setup of USB Function)

1. Connect the monitor first to a PC using the signal cable, and start the PC.
2. Connect the USB cable between the USB downstream port of the PC and the USB upstream port of the monitor.

The USB hub function is set up automatically upon connection of the USB cable.

3. Connect a peripheral USB device to the USB downstream port of the monitor.



## 6-6. Specifications

LCD Panel	Type	IPS (Anti-Glare)
	Backlight	LED
	Size	60 cm (23.8 inch)
	Native Resolution	1920 dots × 1080 lines
	Display Size (H × V)	527.0 mm × 296.5 mm
	Pixel Pitch	0.2745 mm
	Display Colors	8-bit colors: 16.77 million colors
	Viewing Angle (H / V, typical)	178° / 178°
	Response Time (typical)	Gray-to-gray: 14ms (overdrive setting: Off) 5ms (overdrive setting: Enhanced)
Video Signals	Input Terminals	DisplayPort (HDCP) × 1, HDMI TypeA (HDCP) <sup>1</sup> × 1, DVI-D (HDCP) × 1, and D-Sub mini 15-pin × 1
	Digital Scanning Frequency (H / V)	31 kHz to 68 kHz (DisplayPort, DVI), 15 kHz to 68 kHz (HDMI) / 59 Hz to 61 Hz (DisplayPort, DVI), 49 Hz to 61 Hz (HDMI) (VGA TEXT: 69 Hz to 71 Hz)
	Analog Scanning Frequency (H / V)	31 kHz to 81 kHz / 55 Hz to 76 Hz
	Synchronization Signal	Separate
	Max. Dot Clock	148.5 MHz
USB	Port	Upstream port × 1, downstream port × 2
	Standard	USB Specification Revision 3.0
	Communication Speed	5 Gbps (super), 480 Mbps (high), 12 Mbps (full), 1.5 Mbps (low)
	Supply Current	Downstream: Max. 900 mA per port
Audio	Audio Input Format	DisplayPort: 2ch linear PCM (32 kHz / 44.1 kHz / 48 kHz / 88.2 kHz / 96 kHz) HDMI: 2ch linear PCM (32 kHz / 44.1 kHz / 48 kHz)
	Speakers	1 W + 1 W
	Headphones	2 mW + 2 mW (32 Ω)
	Input Terminals	Line: Stereo mini jack × 1 DisplayPort × 1, HDMI TypeA × 1 (shared with video signal)
	Output Terminals	Headphones: Stereo mini jack × 1
Power	Input	100 - 240 VAC ±10 %, 50 / 60 Hz 0.75 A - 0.40 A
	Maximum Power Consumption	42 W or less
	Power Save Mode	0.5 W or less (no USB device connected, default settings)
	Standby Mode	0.5 W or less (no USB device connected, default settings)
Physical Specifications	Dimensions	Min. height: 537.7 mm × 322.7 mm × 190 mm (W × H × D) (Tilt: 0°)
		Max. height: 537.7 mm × 506.6 mm × 199.1 mm (W × H × D) (Tilt: 35°)
	Dimensions (Without Stand)	537.7 mm × 313.1 mm × 45.5 mm (W × H × D)
	Net Weight	Approx. 5.5 kg
	Net Weight (Without Stand)	Approx. 3.5 kg
	Height Adjustment Range	180 mm (Tilt: 35°) / 172.7 mm (Tilt: 0°)
	Tilt	Up 35°, down 5°
	Swivel	344°
	Vertical Rotation	Left 90°, right 90°
Operating Environmental Requirements	Temperature	5 °C to 35 °C (41 °F to 95 °F)
	Humidity	20 % to 80 % R.H. (no condensation)
	Air Pressure	540 hPa to 1060 hPa

Transportation/ Storage Environmental Requirements	Temperature	-20 °C to 60 °C (-4 °F to 140 °F)
	Humidity	10 % to 90 % R.H. (no condensation)
	Air Pressure	200 hPa to 1060 hPa

\*1 HDMI CEC (or mutual control) is not supported.

## ● Main Default Settings

Auto EcoView		On
EcoView Optimizer 2		On
Color Mode		User 1
Picture Expansion	DisplayPort input	Aspect Ratio
	HDMI (PC signal) input	Aspect Ratio
	HDMI (video signal) input	Auto
	DVI-D input	Aspect Ratio
	D-Sub input	Aspect Ratio
Input Color Format	DisplayPort input	Auto
	HDMI (PC signal) input	RGB
	HDMI (video signal) input	Auto
Power Save		On
Language		English
Power Indicator		On
Auto Input Detection		Off
Compatibility Mode		Off
On-Screen Logo		On
Key Lock		Off

## ● Accessories

Signal cable	<ul style="list-style-type: none"> <li>• HH200HS (HDMI-HDMI)</li> <li>• FD-C39 (DVI-DVI)</li> <li>• MD-C87 (D-Sub-D-Sub)</li> </ul>
Cleaning Kit	EIZO "ScreenCleaner"

For the latest information about accessories, refer to our web site. [www.eizoglobal.com](http://www.eizoglobal.com)



# Appendix

## Trademark

The terms HDMI and HDMI High-Definition Multimedia Interface, and the HDMI Logo are trademarks or registered trademarks of HDMI Licensing, LLC in the United States and other countries.

The DisplayPort Compliance Logo and VESA are registered trademarks of the Video Electronics Standards Association.

The SuperSpeed USB Trident Logo is a registered trademark of USB Implementers Forum, Inc.



The USB Power Delivery Trident Logos are trademarks of USB Implementers Forum, Inc.



DICOM is the registered trademark of the National Electrical Manufacturers Association for its standards publications relating to digital communications of medical information.

Kensington and Microsaver are registered trademarks of ACCO Brands Corporation.

Thunderbolt is a trademark of Intel Corporation in the United States and/or other countries.

Microsoft and Windows are registered trademarks of Microsoft Corporation in the United States and other countries.

Adobe is a registered trademark of Adobe Systems Incorporated in the United States and other countries.

Apple, macOS, Mac OS, OS X, Macintosh and ColorSync are registered trademarks of Apple Inc.

EIZO, the EIZO Logo, ColorEdge, CuratOR, DuraVision, FlexScan, FORIS, RadiCS, RadiForce, RadiNET, Raptor and ScreenManager are registered trademarks of EIZO Corporation in Japan and other countries.

ColorEdge Tablet Controller, ColorNavigator, EcoView NET, EIZO EasyPIX, EIZO Monitor Configurator, EIZO ScreenSlicer, G-Ignition, i•Sound, Quick Color Match, RadiLight, Re/Vue, SafeGuard, Screen Administrator, Screen InStyle, ScreenCleaner and UniColor Pro are trademarks of EIZO Corporation.

All other company names, product names, and logos are trademarks or registered trademarks of their respective companies.

## License

The bitmap font used for this product is designed by Ricoh Industrial Solutions Inc.

## ENERGY STAR

As an ENERGY STAR Partner, EIZO Corporation has determined that this product meets the ENERGY STAR guidelines for energy efficiency.



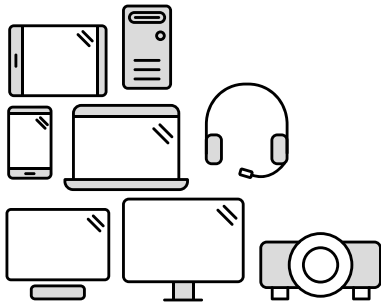
# TCO Certified

This product carries the TCO Certified designation. TCO Certified is the leading independent sustainability certification for IT products.

A third-party certification according to ISO 14024



Toward sustainable IT products



## Say hello to a more sustainable product

IT products are associated with a wide range of sustainability risks throughout their life cycle. Human rights violations are common in the factories. Harmful substances are used both in products and their manufacture. Products can often have a short lifespan because of poor ergonomics, low quality and when they are not able to be repaired or upgraded.

**This product is a better choice.** It meets all the criteria in TCO Certified, the world's most comprehensive sustainability certification for IT products. Thank you for making a responsible product choice, that help drive progress towards a more sustainable future!

Criteria in TCO Certified have a life-cycle perspective and balance environmental and social responsibility. Conformity is verified by independent and approved verifiers that specialize in IT products, social responsibility or other sustainability issues. Verification is done both before and after the certificate is issued, covering the entire validity period. The process also includes ensuring that corrective actions are implemented in all cases of factory non-conformities. And last but not least, to make sure that the certification and independent verification is accurate, both TCO Certified and the verifiers are reviewed regularly.

### Want to know more?

Read information about TCO Certified, full criteria documents, news and updates at [tcocertified.com](https://www.tcocertified.com). On the website you'll also find our Product Finder, which presents a complete, searchable listing of certified products.

# FCC Declaration of Conformity

For U.S.A., Canada Only

## FCC Declaration of Conformity

We, the Responsible Party

EIZO Inc.

5710 Warland Drive, Cypress, CA 90630

Phone: (562) 431-5011

declare that the product

Trade name: EIZO

Model: FlexScan EV2451

is in conformity with Part 15 of the FCC Rules. Operation of this product is subject to the following two conditions: (1) this device may not cause harmful interference, and (2) this device must accept any interference received, including interference that may cause undesired operation.

This equipment has been tested and found to comply with the limits for a Class B digital device, pursuant to Part 15 of the FCC Rules. These limits are designed to provide reasonable protection against harmful interference in a residential installation. This equipment generates, uses, and can radiate radio frequency energy and, if not installed and used in accordance with the instructions, may cause harmful interference to radio communications. However, there is no guarantee that interference will not occur in a particular installation. If this equipment does cause harmful interference to radio or television reception, which can be determined by turning the equipment off and on, the user is encouraged to try to correct the interference by one or more of the following measures.

- \* Reorient or relocate the receiving antenna.
- \* Increase the separation between the equipment and receiver.
- \* Connect the equipment into an outlet on a circuit different from that to which the receiver is connected.
- \* Consult the dealer or an experienced radio/TV technician for help.

Changes or modifications not expressly approved by the party responsible for compliance could void the user's authority to operate the equipment.

### Note

Use the attached specified cable below or EIZO signal cable with this monitor so as to keep interference within the limits of a Class B digital device.

- AC Cord
- Shielded Signal Cable (enclosed)

## Canadian Notice

This Class B information technology equipment complies with Canadian ICES-003.  
Cet équipement informatique de classe B est conforme à la norme ICES-003 du Canada.

# LIMITED WARRANTY

---

EIZO Corporation (hereinafter referred to as “**EIZO**”) and distributors authorized by EIZO (hereinafter referred to as the “**Distributors**”) warrant, subject to and in accordance with the terms of this limited warranty (hereinafter referred to as the “**Warranty**”), to the original purchaser (hereinafter referred to as the “**Original Purchaser**”) who purchased the product specified in this document (hereinafter referred to as the “**Product**”) from EIZO or Distributors, that EIZO and Distributors shall, at their sole discretion, either repair or replace the Product at no charge if the Original Purchaser becomes aware within the Warranty Period (defined below) that the Product malfunctions or is damaged in the course of normal use of the Product in accordance with the description in the instruction manual attached to the Product (hereinafter referred to as the “**User’s Manual**”).

The period of this Warranty is limited to (i) five (5) years from the date of purchase of the Product; or, limited to the expiration of (ii) 30,000 hours of its use of the Product (hereinafter referred to as the “**Warranty Period**”). EIZO and Distributors shall bear no liability or obligation with regard to the Product in relation to the Original Purchaser or any third parties other than as provided under this Warranty.

EIZO and Distributors will cease to hold or store any parts (excluding design parts) of the Product upon expiration of five (5) years after the production of the product is discontinued. In repairing the monitor, EIZO and Distributors will use renewal parts which comply with our QC standards. If the unit cannot be repaired due to its condition or the stockout of a relevant part, EIZO and Distributors may offer the replacement by a product with equivalent performance instead of repairing it.

The Warranty is valid only in the countries or territories where the Distributors are located. The Warranty does not restrict any legal rights of the Original Purchaser.

Notwithstanding any other provision of this Warranty, EIZO and Distributors shall have no obligation under this Warranty whatsoever in any of the cases as set forth below:

- (a) Any defect of the Product caused by freight damage, modification, alteration, abuse, misuse, accident, incorrect installation, disaster, faulty maintenance and/or improper repair by third party other than EIZO and Distributors;
- (b) Any incompatibility of the Product due to possible technical innovations and/or regulations;
- (c) Any deterioration of the sensor;
- (d) Any deterioration of display performance caused by the deterioration of expendable parts such as the LCD panel and/or backlight, etc. (e.g. changes in brightness, changes in brightness uniformity, changes in color, changes in color uniformity, defects in pixels including burnt pixels, etc.);
- (e) Any defect of the Product caused by external equipment;
- (f) Any defect of the Product on which the original serial number has been altered or removed;
- (g) Any normal deterioration of the product, particularly that of consumables, accessories, and/or attachments (e.g. buttons, rotating parts, cables, User’s Manual, etc.); and
- (h) Any deformation, discoloration, and/or warp of the exterior of the product including that of the surface of the LCD panel.

To obtain service under the Warranty, the Original Purchaser must deliver the Product, freight prepaid, in its original package or other adequate package affording an equal degree of protection, assuming the risk of damage and/or loss in transit, to the local Distributor. The Original Purchaser must present proof of purchase of the Product and the date of such purchase when requesting services under the Warranty.

The Warranty Period for any replaced and/or repaired product under this Warranty shall expire at the end of the original Warranty Period.

EIZO OR DISTRIBUTORS ARE NOT RESPONSIBLE FOR ANY DAMAGE TO, OR LOSS OF, DATA OR OTHER INFORMATION STORED IN ANY MEDIA OR ANY PART OF ANY PRODUCT RETURNED TO EIZO OR DISTRIBUTORS FOR REPAIR.

EIZO AND DISTRIBUTORS MAKE NO FURTHER WARRANTIES, EXPRESSED OR IMPLIED, WITH RESPECT TO THE PRODUCT AND ITS QUALITY, PERFORMANCE, MERCHANTABILITY OR FITNESS FOR ANY PARTICULAR USE. IN NO EVENT SHALL EIZO OR DISTRIBUTORS BE LIABLE FOR ANY INCIDENTAL, INDIRECT, SPECIAL, CONSEQUENTIAL OR OTHER DAMAGE WHATSOEVER (INCLUDING, WITHOUT LIMITATION, DAMAGES FOR LOSS OF PROFIT, BUSINESS INTERRUPTION, LOSS OF BUSINESS INFORMATION, OR ANY OTHER PECUNIARY LOSS) ARISING OUT OF THE USE OR INABILITY TO USE THE PRODUCT OR IN ANY CONNECTION WITH THE PRODUCT, WHETHER BASED ON CONTRACT, TORT, NEGLIGENCE, STRICT LIABILITY OR OTHERWISE, EVEN IF EIZO OR DISTRIBUTORS HAVE BEEN ADVISED OF THE POSSIBILITY OF SUCH DAMAGES. THIS EXCLUSION ALSO INCLUDES ANY LIABILITY WHICH MAY ARISE OUT OF THIRD PARTY CLAIMS AGAINST THE ORIGINAL PURCHASER. THE ESSENCE OF THIS PROVISION IS TO LIMIT THE POTENTIAL LIABILITY OF EIZO AND DISTRIBUTORS ARISING OUT OF THIS LIMITED WARRANTY AND/OR SALES.

# Recycling Information

## Recycling Information

This product, when disposed of, is supposed to be collected and recycled according to your country's legislation to reduce environmental burden. When you dispose of this product, please contact a distributor or an affiliate in your country.

The contact addressees are listed on the EIZO website below.

[www.eizoglobal.com](http://www.eizoglobal.com)

For recycling information for customers in Switzerland, please refer to the following website.

[www.swico.ch](http://www.swico.ch)

For customers in the United States, a free take-back program for the product and packaging materials is available. Please refer to the following website for details.

[www.eizo.com/warranty/recycling](http://www.eizo.com/warranty/recycling)

## Informationen zum Thema Recycling

Dieses Produkt muss gemäß den Vorschriften Ihres Landes zur Entlastung der Umwelt recyclet werden. Wenden Sie sich bei der Entsorgung dieses Produkts an einen Verteiler oder eine Tochtergesellschaft in Ihrem Land.

Die Adressen zur Kontaktaufnahme sind auf der unten angegebenen Website von EIZO aufgeführt.

[www.eizoglobal.com](http://www.eizoglobal.com)

Kunden in der Schweiz entnehmen Informationen zum Recycling der folgenden Website:

[www.swico.ch](http://www.swico.ch)

## Informations sur le recyclage

Ce produit doit être jeté aux points de collecte prévus à cet effet et recyclé conformément à la législation de votre pays, afin de réduire l'impact sur l'environnement. Lorsque vous jetez ce produit, veuillez contacter un distributeur ou une société affiliée de votre pays.

Les adresses des distributeurs sont répertoriées sur le site Web EIZO ci-dessous.

[www.eizoglobal.com](http://www.eizoglobal.com)

Pour les clients en Suisse, veuillez consulter le site Web suivant afin d'obtenir des informations sur le recyclage.

[www.swico.ch](http://www.swico.ch)

## Información sobre reciclaje

Este producto debe desecharse y reciclarse según la legislación del país para reducir el impacto medioambiental.

Cuando desee deshacerse de este producto, póngase en contacto con un distribuidor o una filial de su país.

Encontrará las direcciones de contacto en el sitio web de EIZO que se indica a continuación.

[www.eizoglobal.com](http://www.eizoglobal.com)

## Informazioni sul riciclaggio

Per lo smaltimento e il riciclaggio del presente prodotto, attenersi alle normative vigenti nel proprio paese per ridurre l'impatto ambientale. Per lo smaltimento, rivolgersi ad un distributore o un affiliato presenti nel proprio paese.

Gli indirizzi sono elencati nel sito Web EIZO riportato di seguito.

[www.eizoglobal.com](http://www.eizoglobal.com)

Per informazioni sul riciclaggio per i clienti in Svizzera, consultare il sito Web riportato di seguito.

[www.swico.ch](http://www.swico.ch)

## Återvinningsinformation

När denna produkt kasseras ska den hanteras och återvinnas enligt landets föreskrifter för att reducera miljöpåverkan.

När du kasserar produkten ska du kontakta en distributör eller representant i ditt land.

Kontaktadresserna listas på EIZO-webbplatsen nedan.

[www.eizoglobal.com](http://www.eizoglobal.com)

## Πληροφορίες ανακύκλωσης

Το προϊόν αυτό, όταν απορρίπτεται, πρέπει να συλλέγεται και να ανακυκλώνεται σύμφωνα με τη νομοθεσία της χώρας σας έτσι ώστε να μην επιβαρύνει το περιβάλλον. Για να απορρίψετε το προϊόν, επικοινωνήστε με έναν αντιπρόσωπο ή μια θυγατρική εταιρεία στη χώρα σας.

Οι διευθύνσεις επικοινωνίας αναγράφονται στην τοποθεσία web της EIZO παρακάτω.

[www.eizoglobal.com](http://www.eizoglobal.com)

## Сведения по утилизации

По истечении срока службы данного продукта его следует принести на сборный пункт и утилизировать в соответствии с действующими предписаниями в вашей стране, чтобы уменьшить вредное воздействие на окружающую среду. Прежде чем выбросить данный продукт, обратитесь к дистрибьютору или в местное представительство компании в вашей стране.

Контактные адреса можно найти на веб-узле EIZO.

[www.eizoglobal.com](http://www.eizoglobal.com)

## Informatie over recycling

Wanneer u dit product wilt weggooien, moet het uit milieu-overwegingen worden verzameld en gerecycled volgens de betreffende wetgeving van uw land. Wanneer u dit product wilt weggooien, moet u contact opnemen met een distributeur of een partner in uw land.

De contactadressen worden vermeld op de volgende EIZO-website.

[www.eizoglobal.com](http://www.eizoglobal.com)

## Informação sobre reciclagem

Este produto, quando o deitar fora, deve ser recolhido e reciclado de acordo com a legislação do seu país para reduzir a poluição. Quando deitar fora este produto, contacte um distribuidor ou uma filial no seu país.

Os endereços de contacto estão listados no website do EIZO, abaixo.

[www.eizoglobal.com](http://www.eizoglobal.com)

## Oplysninger om genbrug

Dette produkt forventes ved bortskaffelse at blive indsamlet og genbrugt i overensstemmelse med lovgivningen i dit land for at reducere belastningen af miljøet. Når du bortskaffer denne produkt, skal du kontakte en distributør eller et tilknyttet selskab i dit land.

Adresserne på kontaktpersonerne er angivet på EIZO's websted nedenfor.

[www.eizoglobal.com](http://www.eizoglobal.com)

## Kierrätystä koskevia tietoja

Tuote tulee hävittää kierrättämällä maan lainsäädännön mukaisesti ympäristön kuormittumisen vähentämiseksi. Kun hävität tuotteen, ota yhteyttä jälleenmyyjään tai tytäryhtiöön maassasi.

Yhteystiedot löytyvät EIZOn Internet-sivustolta.

[www.eizoglobal.com](http://www.eizoglobal.com)

## Wykorzystanie surowców wtórnych

Ten produkt po zużyciu powinien być zbierany i przetwarzany zgodnie z krajowymi przepisami dotyczącymi ochrony środowiska. Wyrzucając ten produkt, należy skontaktować się z lokalnym dystrybutorem lub partnerem. Adresy kontaktowe można znaleźć we wskazanej poniżej witrynie internetowej firmy EIZO.

[www.eizoglobal.com](http://www.eizoglobal.com)

## Informace o recyklaci

Při likvidaci produktu musí být produkt vyzvednut a recyklován podle zákonů příslušné země, aby nedocházelo k zatěžování životního prostředí. Zbavujete-li se produktu, kontaktujte distributora nebo pobočku ve své zemi. Kontaktní adresy jsou uvedeny na následující webové stránce společnosti EIZO.

[www.eizoglobal.com](http://www.eizoglobal.com)

## Ringlussevõtu alane teave

Keskkonnakoormuse vähendamiseks tuleks kasutatud tooted kokku koguda ja võtta ringlusse vastavalt teie riigi seadustele. Kui kõrvaldate käesoleva toote, võtke palun ühendust turustaja või filiaaliga oma riigis.

Kontaktisikud on toodud EIZO veebilehel järgmisel aadressil:

[www.eizoglobal.com](http://www.eizoglobal.com)

## Újrahasznosítási információ

Jelen terméket, amikor eldobjuk, az illető ország törvényei alapján kell összegyűjteni és újrahasznosítani, hogy csökkentsük a környezet terhelését. Amikor ezt a terméket eldobja, kérjük lépjen kapcsolatba egy országon belüli forgalmazóval vagy társvállalkozással.

A kapcsolat címei az EIZO alábbi weboldalán található felsorolva:

[www.eizoglobal.com](http://www.eizoglobal.com)

## Podatki o recikliranju

Ob koncu uporabe odslužen izdelek izročite na zbirno mesto za recikliranje v skladu z okoljevarstveno zakonodajo vaše države. Prosimo, da se pri odstranjevanju izdelka obrnete na lokalnega distributerja ali podružnico.

Kontaktni naslovi so objavljeni na spodaj navedenih spletnih straneh EIZO:

[www.eizoglobal.com](http://www.eizoglobal.com)

## Informácie o recyklácii

Pri likvidácii musí byť tento výrobok recyklovaný v súlade s legislatívou vašej krajiny, aby sa znížilo zaťaženie životného prostredia. Keď sa chcete zbaviť tohto výrobku, kontaktujte prosím distribútora alebo pobočku vo vašej krajine.

Zoznam kontaktných adries je uvedený na nasledovnej webovej stránke firmy EIZO:

[www.eizoglobal.com](http://www.eizoglobal.com)

## Pārstrādes informācija

Utilizējot šo produktu, tā savākšana un pārstrāde veicama atbilstoši jūsu valsts likumdošanas prasībām attiecībā uz slodzes uz vidi samazināšanu. Lai veiktu šī produkta utilizāciju, sazinieties ar izplatītāju vai pārstāvniecību jūsu valstī. Kontaktadreses ir norādītas zemāk minētajā EIZO tīmekļa vietnē.

[www.eizoglobal.com](http://www.eizoglobal.com)

## Informacija apie gražinamąjį perdirbimą

Šalinant (išmetant) šiuos gaminius juos reikia surinkti ir perdirbti gražinamuoju būdu pagal jūsų šalies teisės aktus, siekiant sumažinti aplinkos teršimą. Kai reikia išmesti šį gaminį, kreipkitės į jūsų šalyje veikiančią gaminių pardavimo atstovybę arba jos filialą.

Kontaktiniai adresatai nurodyti EIZO interneto svetainėje.

[www.eizoglobal.com](http://www.eizoglobal.com)

## Информация относительно рециклиране

При изхвърлянето на този продукт се предлага събирането и рециклирането му съобразно законите на вашата страна за да се намали замърсяването на околната среда. Когато искате да се освободите от този продукт, моля свържете се с търговския му представител или със съответните органи отговарящи за това във вашата страна.

Данните за връзка с нас са описани на следния Интернет сайт на EIZO:

[www.eizoglobal.com](http://www.eizoglobal.com)

## Informație referitoare la reciclare

Acest produs, când debarasat, trebuie colectat și reciclat conform legislației țării respective ca să reducem sarcina mediului. Când se debarasează de acest produs, vă rugăm să contactați un distribuitor sau un afiliat al țării respective. Adresele de contact le găsiți pe pagina de web al EIZO:

[www.eizoglobal.com](http://www.eizoglobal.com)

## معلومات عن اعادة التدوير

عند التخلص من هذا المنتج، من الضروري تجميعه واعادة تدويره وفقاً للقوانين المتبعة في بلدك لتقليل العبء المسلط على البيئة. عندما تتخلص من هذا المنتج، يرجى الاتصال بموزع أو طرف منتسب إليه في بلدك. عناوين الاتصال مدرجة في موقع ايزو EIZO ادناه على شبكة الانترنت.

[www.eizoglobal.com](http://www.eizoglobal.com)

### Gerı Dönüşüm Bilgisi

Bu ürünün, atılacağı zaman, ülkenizin çevre kirliliğinin azaltılması konusundaki mevzuatına göre toplanması ve yeniden değerlendirilmesi gerekmektedir. Ürünü atacağınız zaman lütfen ülkenizdeki bir distribütör veya ilgili kuruluşla temasa geçiniz.

İrtibat adresleri aşağıdaki EIZO web sitesinde verilmiştir.

[www.eizoglobal.com](http://www.eizoglobal.com)



