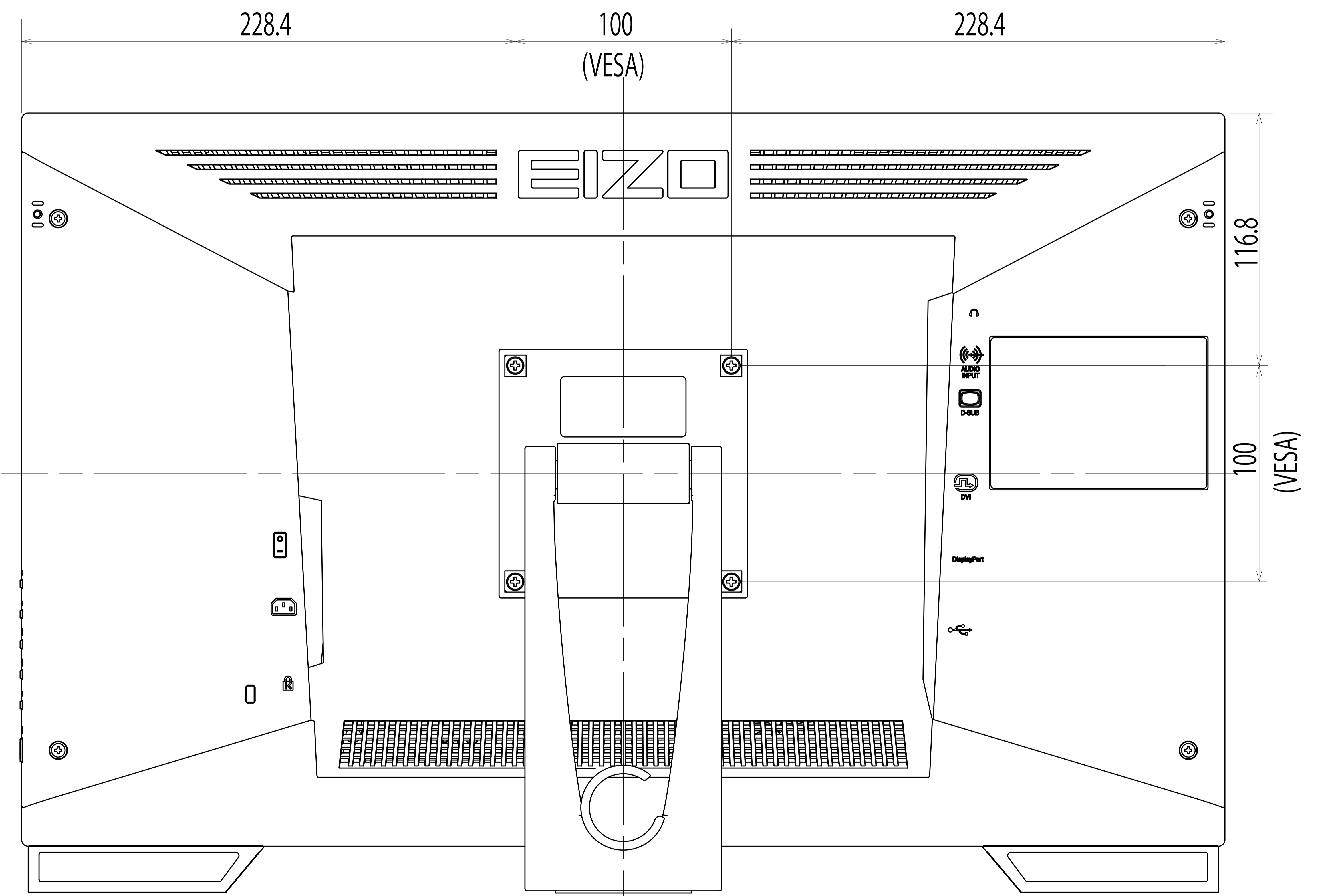
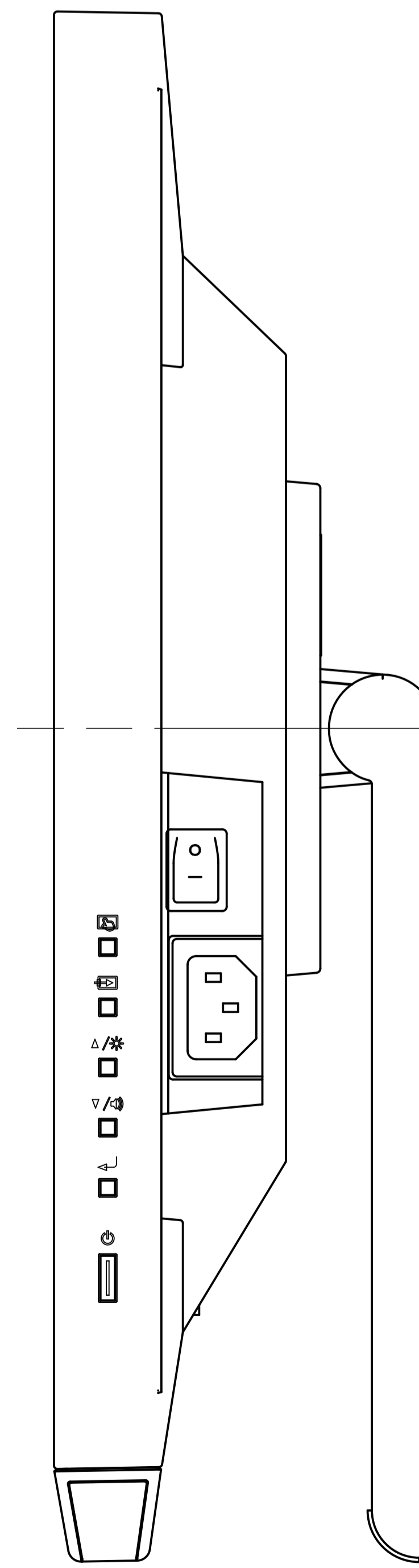
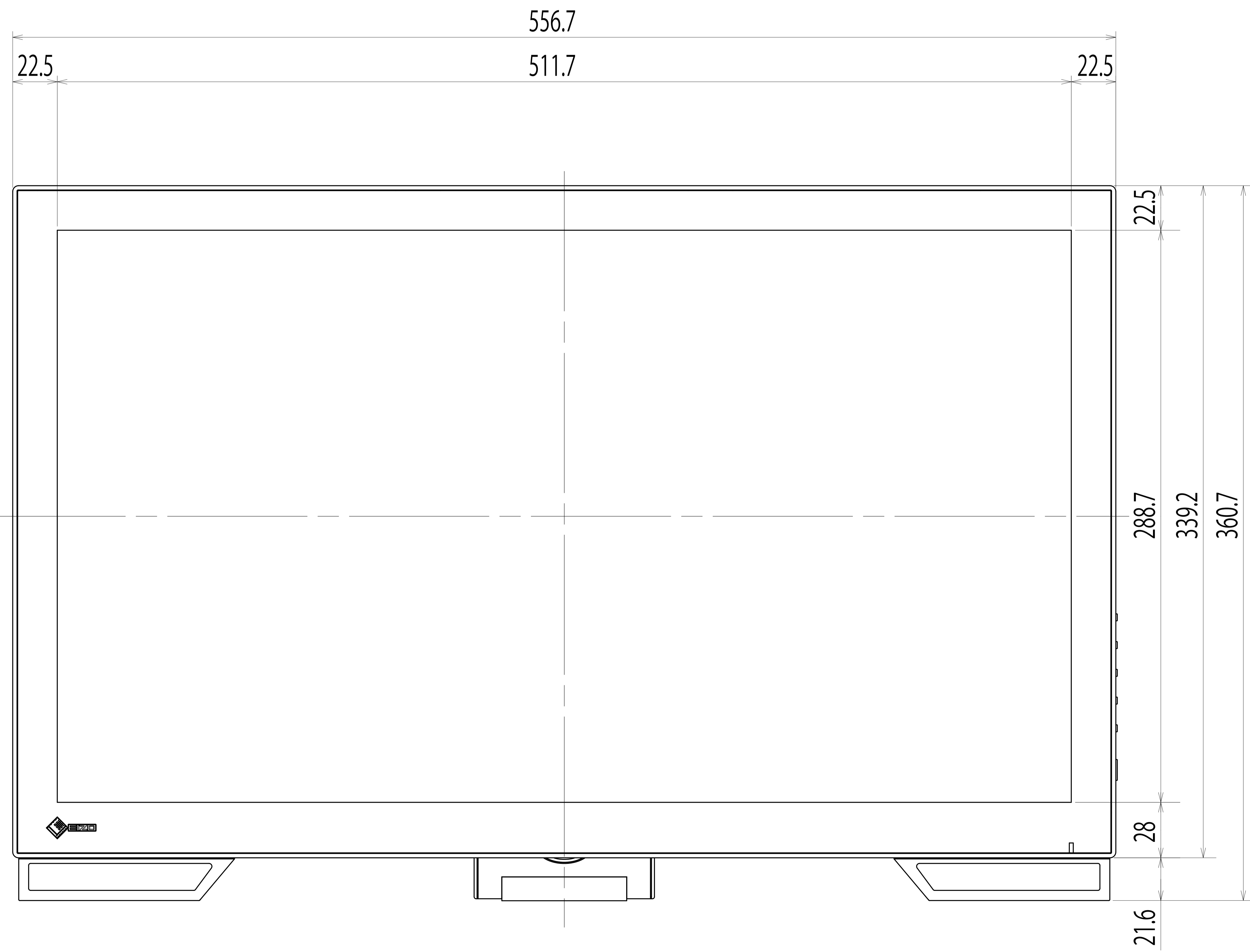
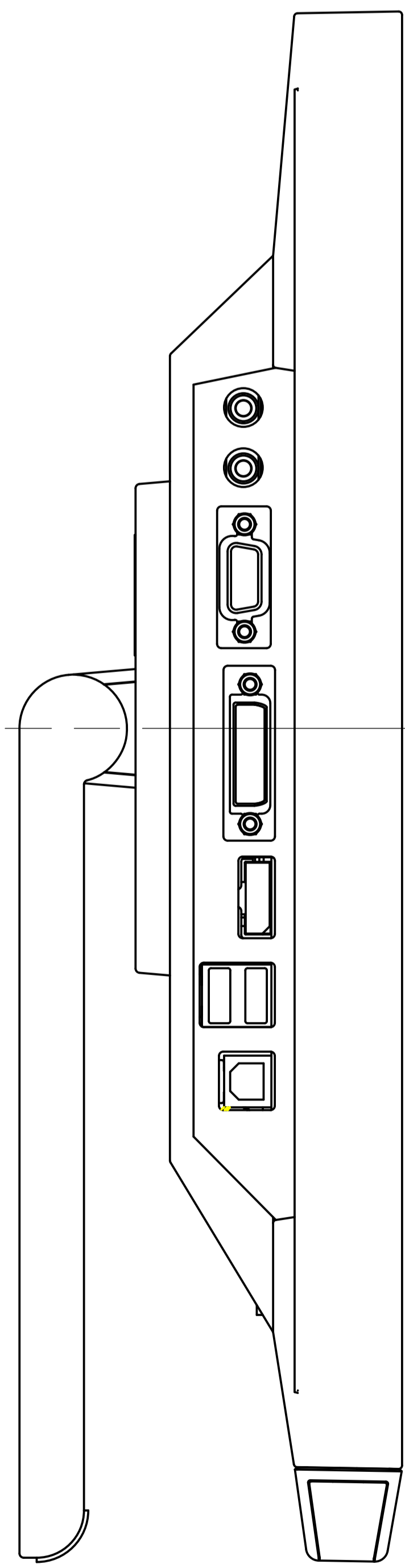
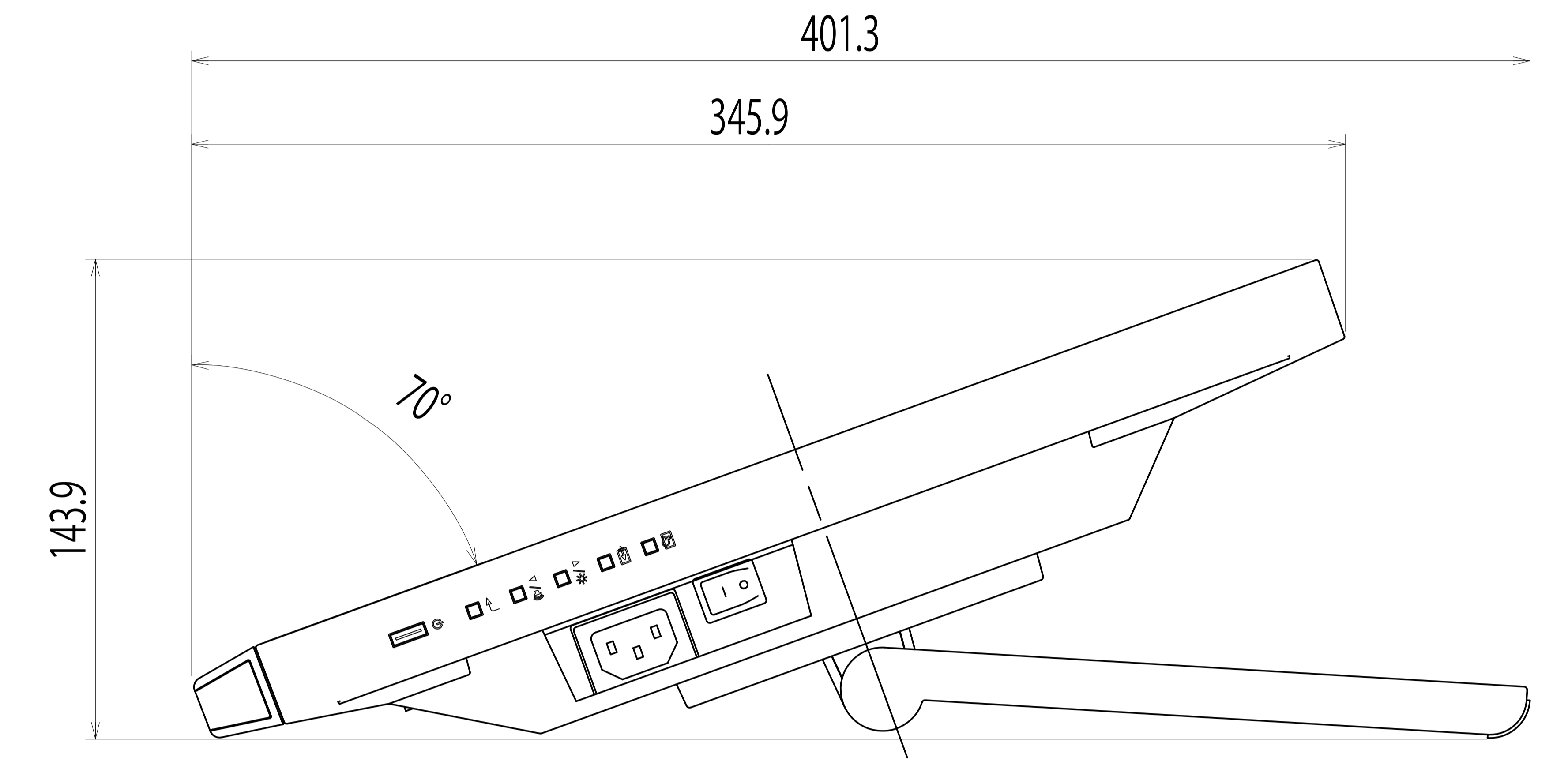
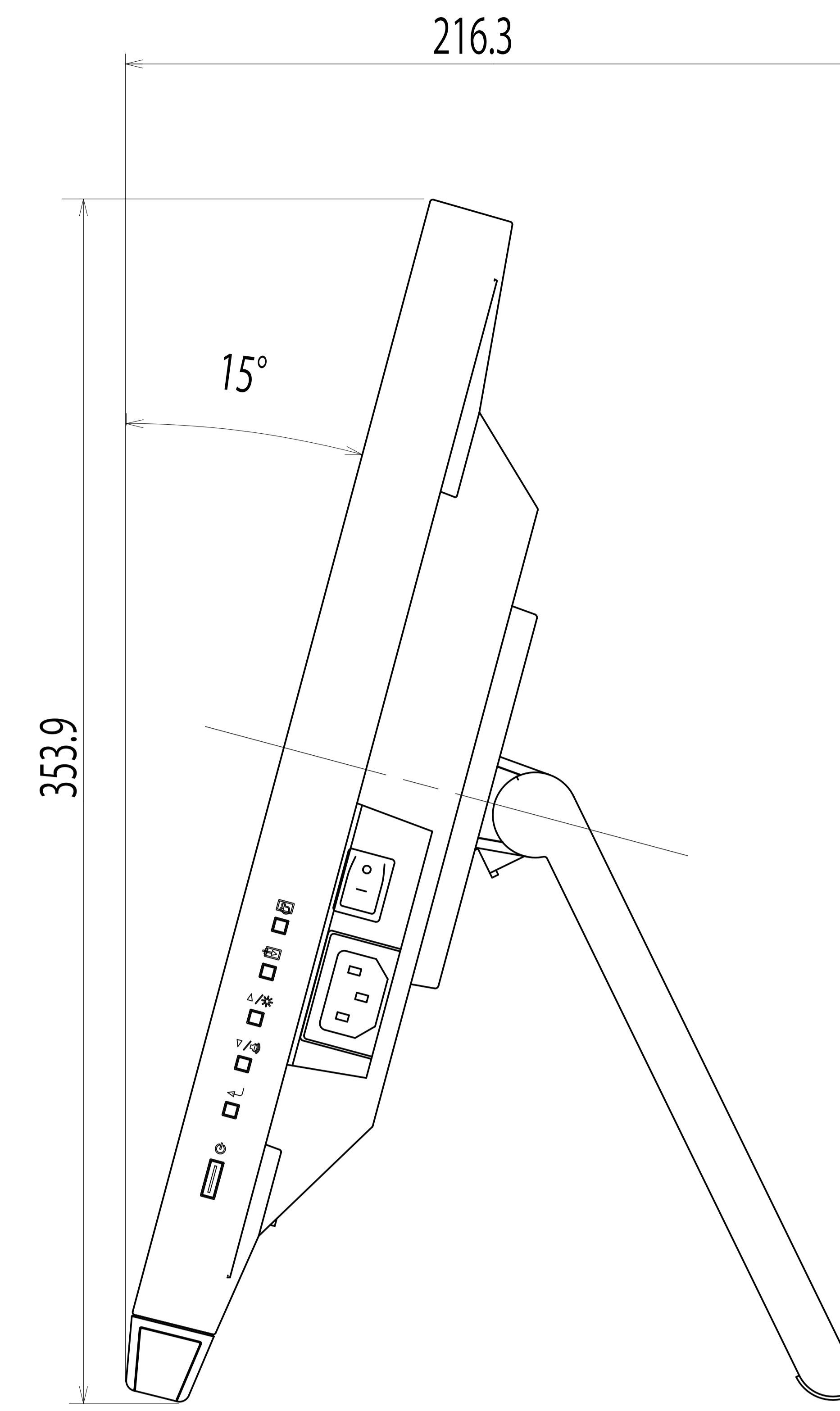
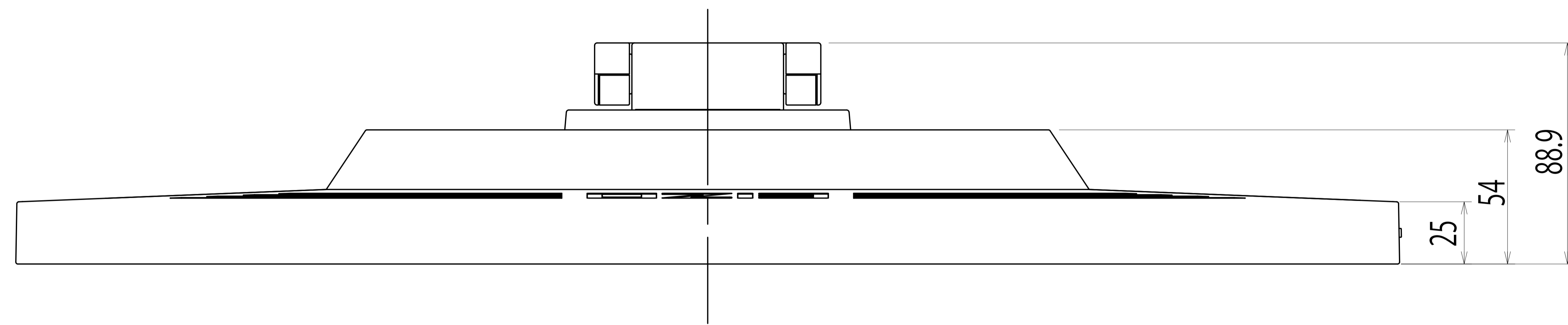


OUTLINE DIMENSIONS

MODEL MS236WT

UNIT mm

EIZO Corporation



OUTLINE DIMENSIONS

MODEL MS236WT

UNIT mm

EIZO Corporation

