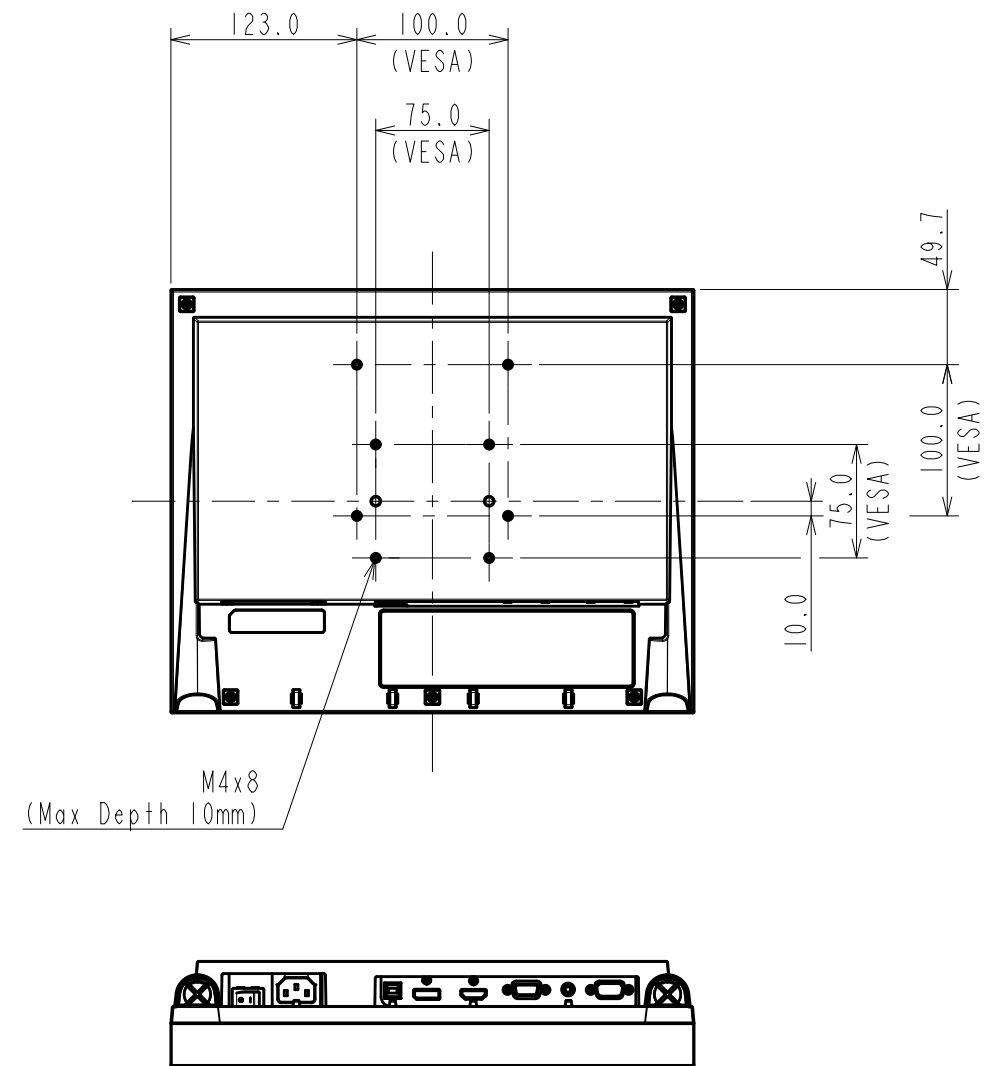
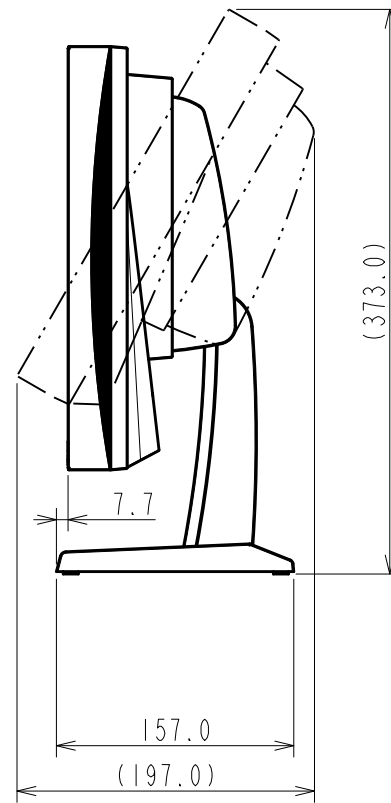
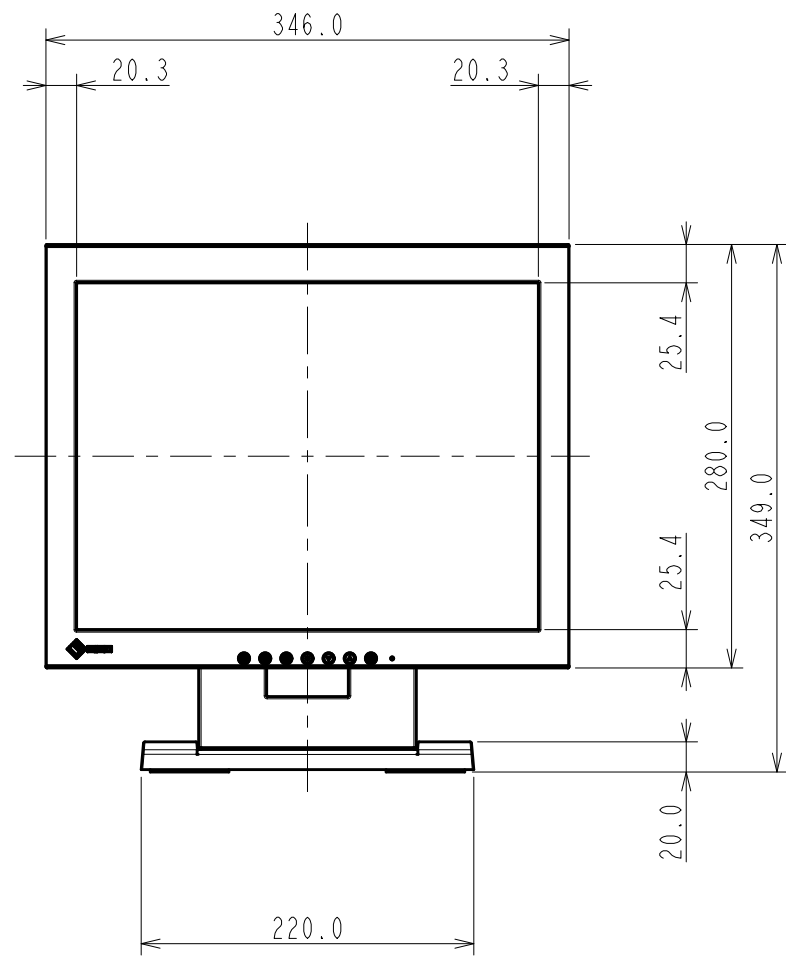
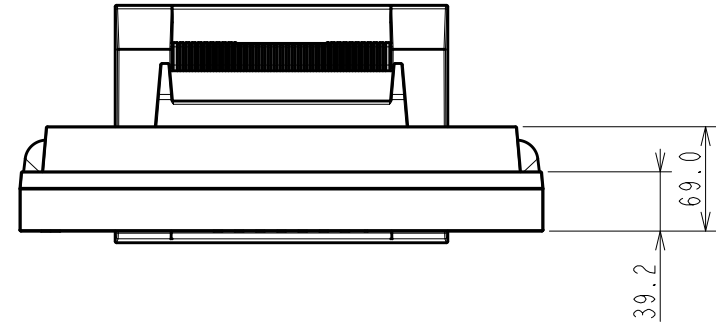


OUTLINE DIMENSIONS

MODEL FDX1502T

UNIT mm

EIZO Corporation

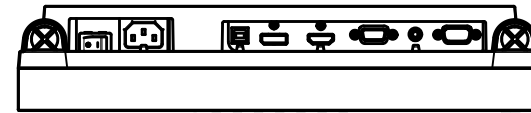
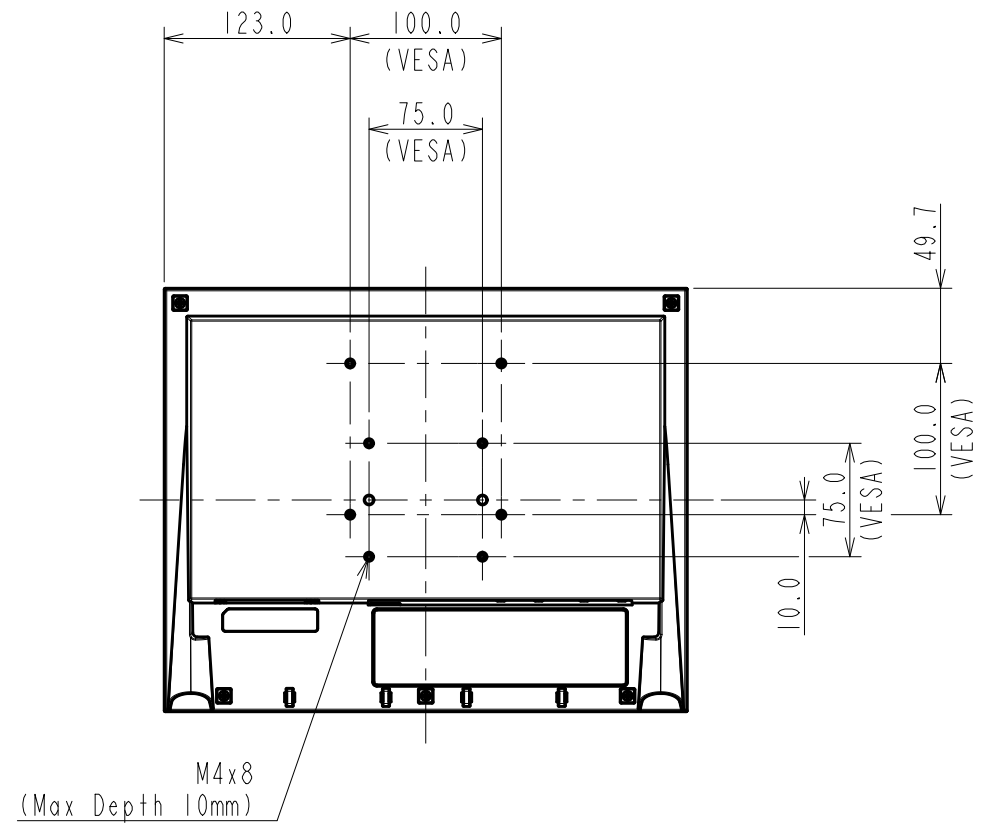
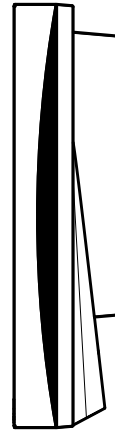
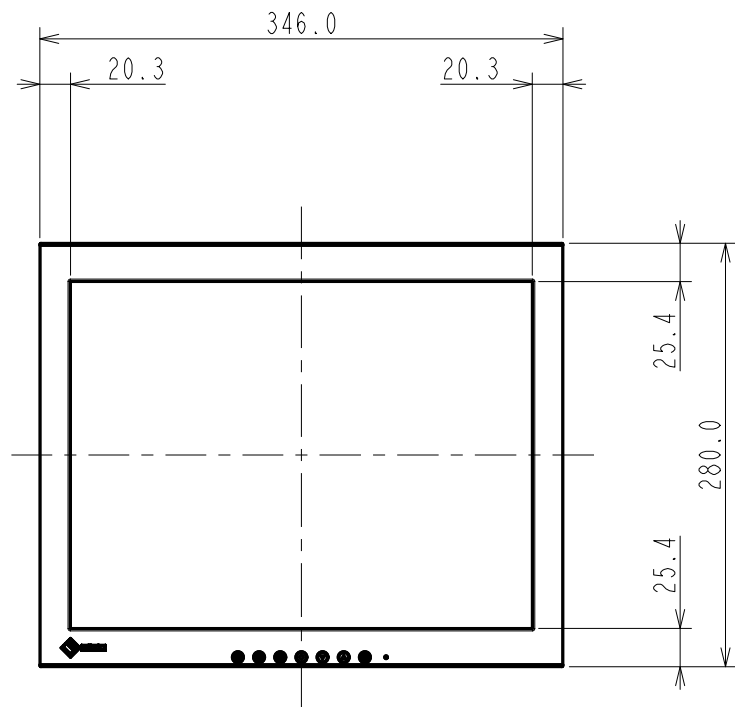
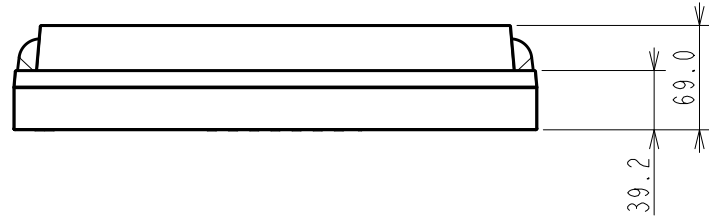


OUTLINE DIMENSIONS

MODEL FDX1502T-F

UNIT mm

EIZO Corporation

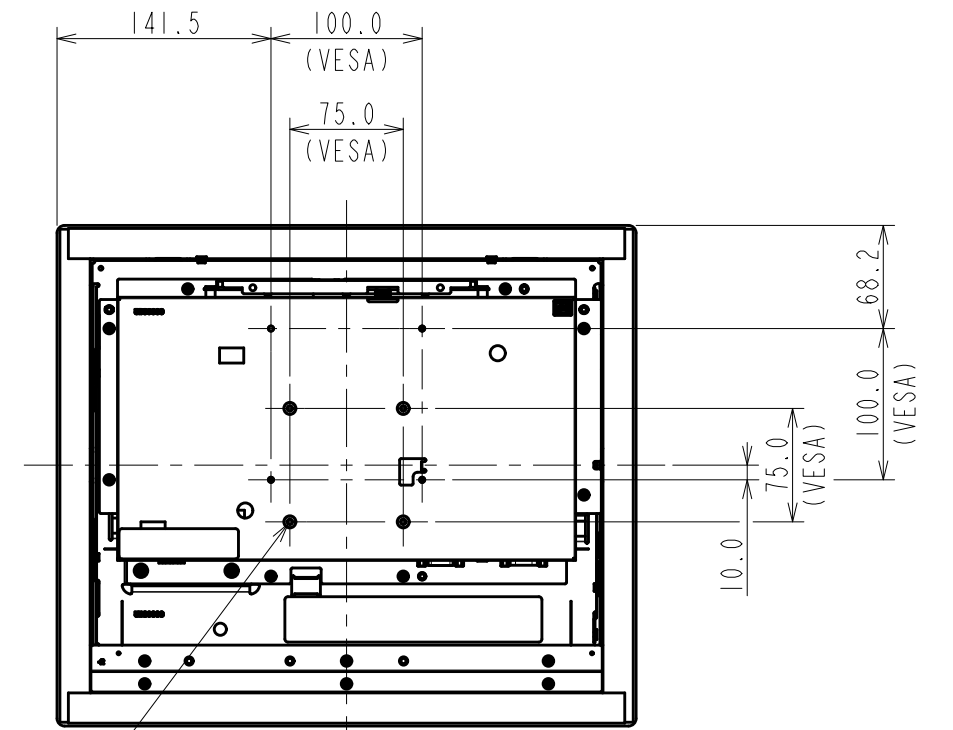
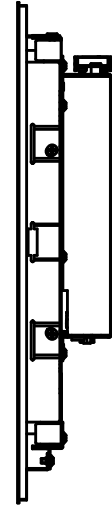
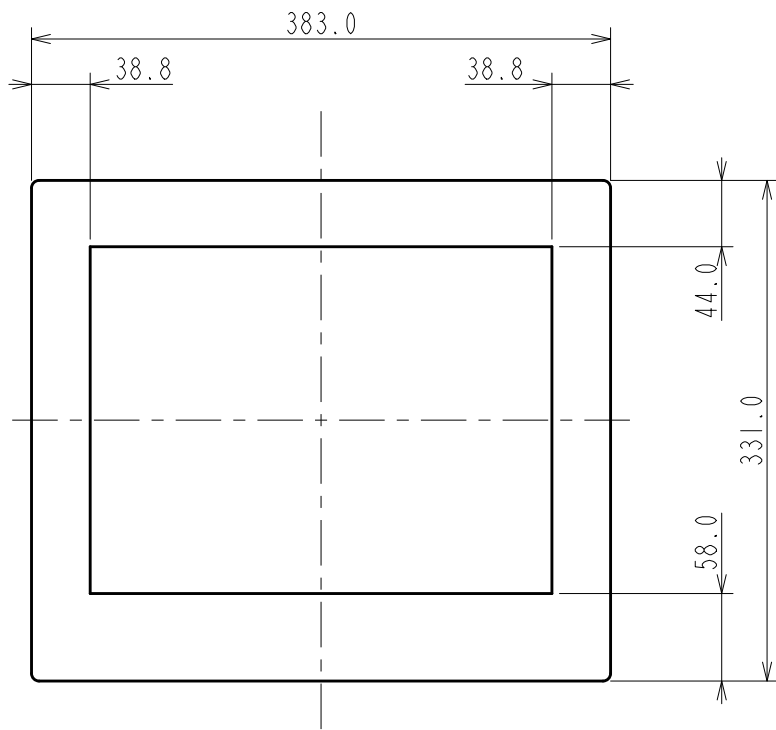
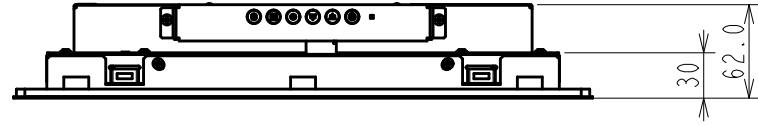


OUTLINE DIMENSIONS

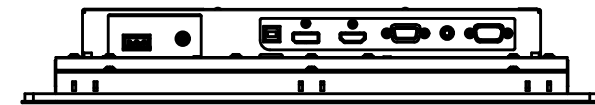
MODEL FDX1502T-P

UNIT mm

EIZO Corporation



M4x4(max Depth 8mm)



OUTLINE DIMENSIONS

MODEL FDX1502T-C

UNIT mm

EIZO Corporation

